

**L-79X**  
**AIR PURIFIER MODULE**

**Notes:**

- All dimensions are in inches
- This is the standard layout for this solution where the air purifier module can be moved to any desired location in the room

CUSTOMER:  
CUSTOMER PO:  
PROJECT:  
ENGINEER:  
SALES REP:  
TAGGING:



The device depicted and described hereon embodies proprietary information owned by the manufacturer. All Design, manufacturing, reproduction, sales and patent rights regarding this device or drawing reserved except where explicit right is guaranteed in writing. We reserve the right to make design changes.

Drawn By: Mark Fanous  
Date: 4/1/2021  
Scale: NTS  
Weight: N/A  
Copyright © 2021 by Lev-Co, The Local Exhaust and Ventilation Company Inc. All rights reserved. No part of this product may be reproduced or used in any manner without written permission of the copyright owner.

**(20-015) ICA MULTIPURPOSE NO SUPPLY DUCT WITH HEPA H14 FILTRATION**

SPECIFICATION DRAWING

Drawing No: Sheet: 1 / 4  
File Name: (20-015) ICA MULTIPURPOSE NO SUPPLY DUCT WITH HEPA H14 FILTRATION

# Models & Options

**Part#**                      **Description**

**Main System: Select an Air Purifier Module (Fan/Filter/Controls)**

- \_\_\_ L-796                      COVID-ICA/**700-HEPA fan**/filter unit H14. EC 1-phase, 220V, 50Hz, **175W. H14(8m2)**
- \_\_\_ L-798                      COVID-ICA/**1000-HEPA fan**/filter unit H14. EC 1-phase, 220V, 50Hz, **350W. H14(13m2)**

**Optional Replacement Washable Pre-Filter**

- \_\_\_ L-800                      Replacement F5 Prefilter for COVID-ICA-**700** Models
- \_\_\_ L-801                      Replacement F5 Prefilter for COVID-ICA-**1000** Models

**Optional Replacement HEPA Filter**

- \_\_\_ L-802                      Replacement HEPA filter coronavirus H14 (**8m2**) for COVID-ICA-**700** Models. Certificate and Leak Test
- \_\_\_ L-803                      Replacement HEPA filter coronavirus H14 (**13m2**) for COVID-ICA-**1000** Models. Certificate and Leak Test

**Optional Casters**

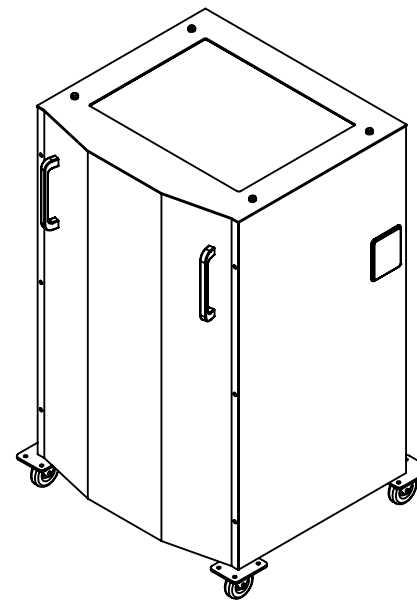
- \_\_\_ L-579                      Casters 4x125mm for all air purifiers for COVID-ICA-700/1000 Models

**Optional Leg Supports**

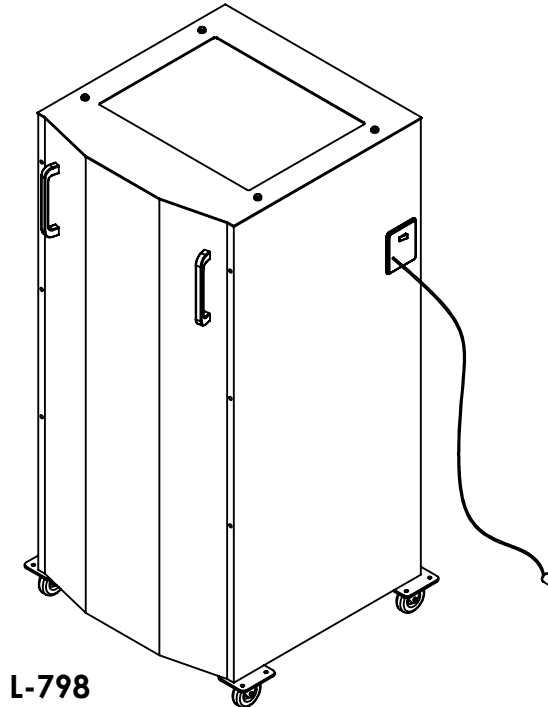
- \_\_\_ L-580                      4 legs (for P-578 Sledgehammer) 125mm OR legs 4x125mm for all COVID-ICA-700/1000 Models

**Optional Custom Paint Upgrade**

- \_\_\_ CUSTOM-PAINT-UPGRADE                      Custom pain upgrade (sheet metal components only). Includes: set up fee, base custom painting, 60 sq ft



**L-796**



**L-798**

CUSTOMER:  
 CUSTOMER PO:  
 PROJECT:  
 ENGINEER:  
 SALES REP:  
 TAGGING:



The device depicted and described hereon embodies proprietary information owned by the manufacturer. All Design, manufacturing, reproduction, sales and patent rights regarding this device or drawing reserved except where explicit right is guaranteed in writing. We reserve the right to make design changes.

Drawn By: Mark Fanous  
 Date: 4/1/2021  
 Scale: NTS  
 Weight: N/A  
 Copyright © 2021 by Lev-Co. The Local Exhaust and Ventilation Company Inc. All rights reserved. No part of this product may be reproduced or used in any manner without written permission of the copyright owner.

**(20-015) ICA MULTIPURPOSE NO SUPPLY DUCT WITH HEPA H14 FILTRATION**  
 SPECIFICATION DRAWING  
 Drawing No:                      Sheet: 2 / 4  
 File Name: (20-015) ICA MULTIPURPOSE NO SUPPLY DUCT WITH HEPA H14 FILTRATION

# AIR PURIFIER MODULE SOUND LEVEL AND ACH

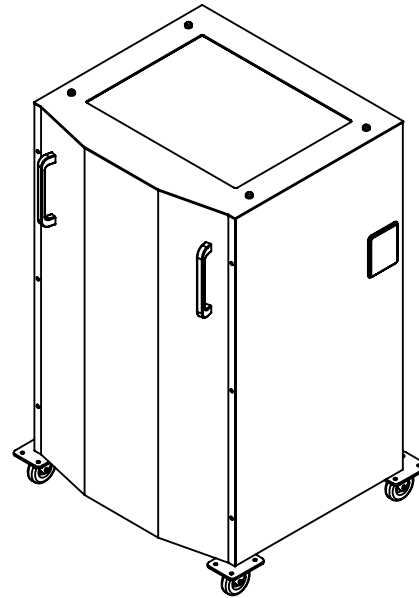
## SOUND LEVELS

### ICA-700 (400 CFM)

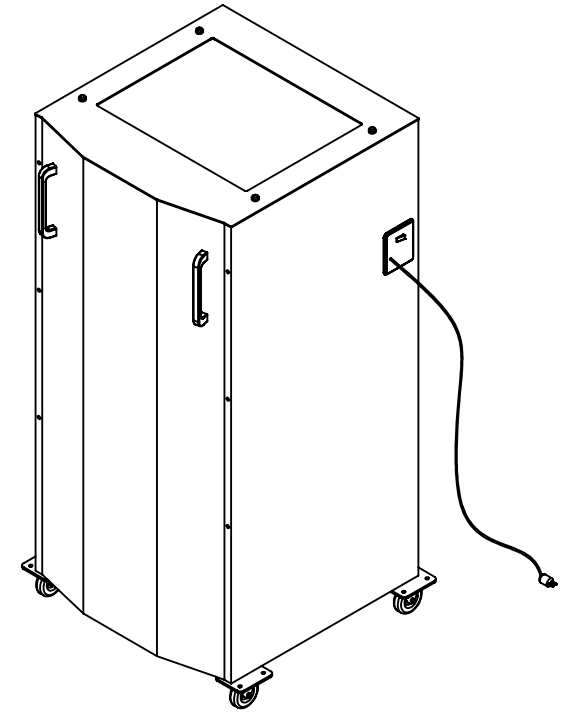
400 CFM	CFM	dB/A
700	420	59
400	240	53
300	180	49
200	120	44
150	90	39

### ICA-1000 (600 CFM)

600 CFM	CFM	dB/A
950	570	66
700	420	63
450	270	57
300	180	49
250	150	46
200	120	43



L-796



L-798

## ACH - AIR CHANGES PER HOUR

	ROOM AREA (ft <sup>2</sup> )	ROOM VOLUME (ft <sup>3</sup> ) (8' CEILING HEIGHT)	CADR (CFM)	ACH WITHOUT K FACTOR	ACH WHEN ALLOWING FOR A K FACTOR OF 1.5
<b>400 CFM</b>	900	9000	400	2.7	1.8
<b>600 CFM</b>	900	9000	600	4.0	2.7

NB: CADR W/O DUCT, PERFORMANCE WILL BE LESS ONCE YOU ALLOW FOR FRICTION LOSSES IN THE DUCT

CADR = CLEAN AIR DELIVERY RATE

ACH = AIR CHANGES PER HOUR

CUSTOMER:  
CUSTOMER PO:  
PROJECT:  
ENGINEER:  
SALES REP:  
TAGGING:



The device depicted and described hereon embodies proprietary information owned by the manufacturer. All Design, manufacturing, reproduction, sales and patent rights regarding this device or drawing reserved except where explicit right is guaranteed in writing. We reserve the right to make design changes.

Drawn By: Mark Fanous  
Date: 4/1/2021  
Scale: NTS  
Weight: N/A

Copyright © 2021 by Lev-Co, The Local Exhaust and Ventilation Company Inc. All rights reserved. No part of this product may be reproduced or used in any manner without written permission of the copyright owner.

(20-015) ICA MULTIPURPOSE NO SUPPLY DUCT WITH HEPA H14 FILTRATION

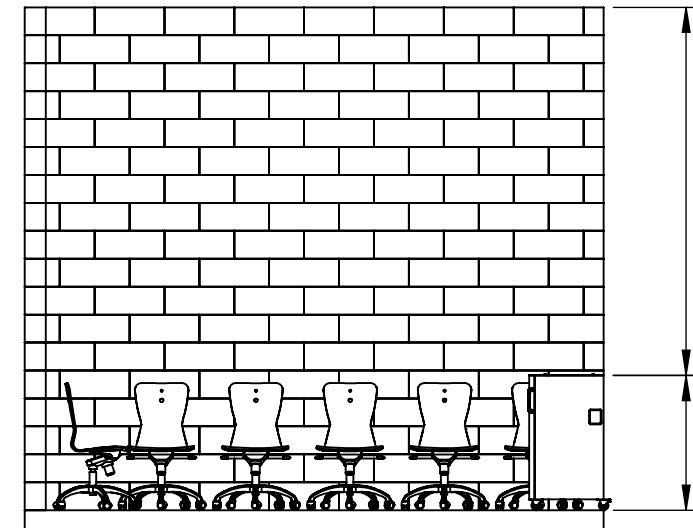
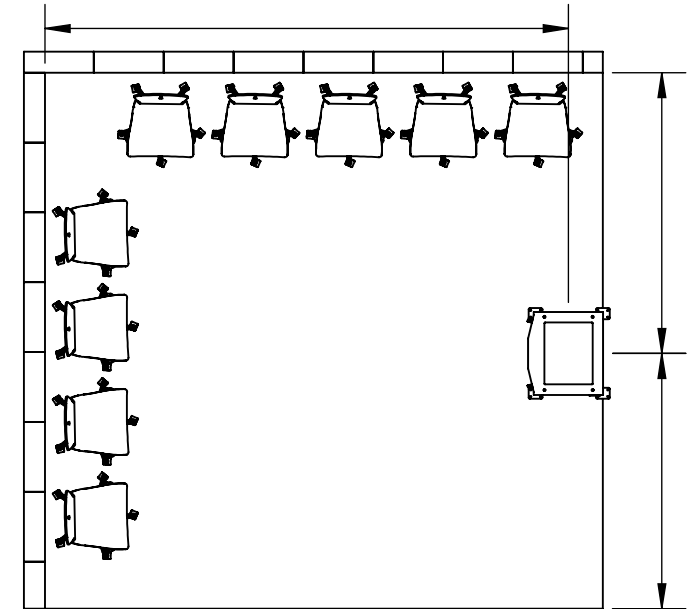
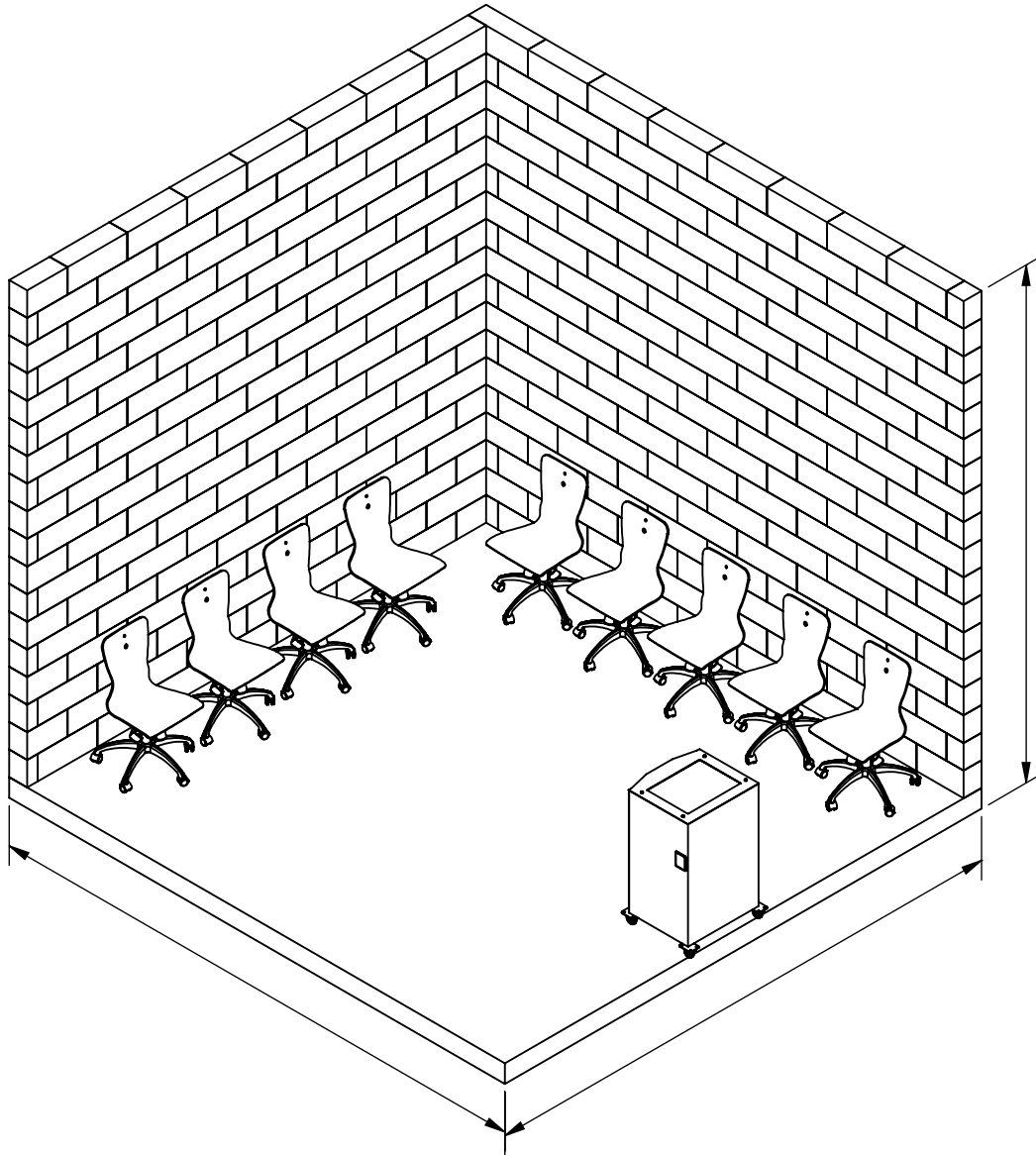
SPECIFICATION DRAWING

Drawing No: Sheet: 3 / 4

File Name: (20-015) ICA MULTIPURPOSE NO SUPPLY DUCT WITH HEPA H14 FILTRATION

# Customer Dimensioning Template

Feel free to use this template to fill out all the dimensioning information of the room you are looking to install this unit in



CUSTOMER:  
 CUSTOMER PO:  
 PROJECT:  
 ENGINEER:  
 SALES REP:  
 TAGGING:



The device depicted and described hereon embodies proprietary information owned by the manufacturer. All Design, manufacturing, reproduction, sales and patent rights regarding this device or drawing reserved except where explicit right is guaranteed in writing. We reserve the right to make design changes.

Drawn By: Mark Fanous  
 Date: 4/1/2021  
 Scale: NTS  
 Weight: N/A  
 Copyright © 2021 by Lev-Co. The Local Exhaust and Ventilation Company Inc. All rights reserved. No part of this product may be reproduced or used in any manner without written permission of the copyright owner.

(20-015) ICA MULTIPURPOSE NO SUPPLY DUCT WITH HEPA H14 FILTRATION  
 SPECIFICATION DRAWING  
 Drawing No: \_\_\_\_\_ Sheet: 4 / 4  
 File Name: (20-015) ICA MULTIPURPOSE NO SUPPLY DUCT WITH HEPA H14 FILTRATION