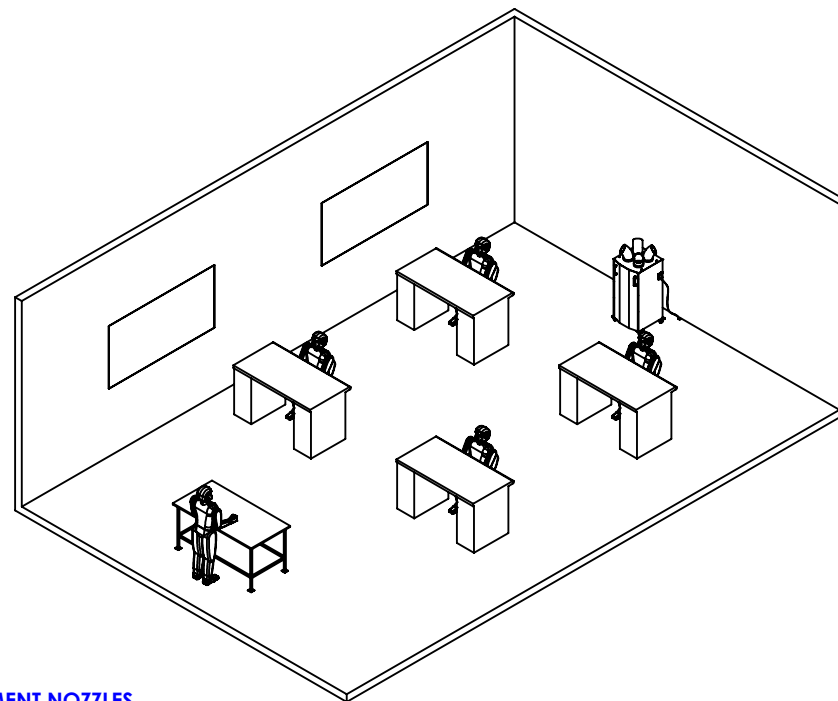
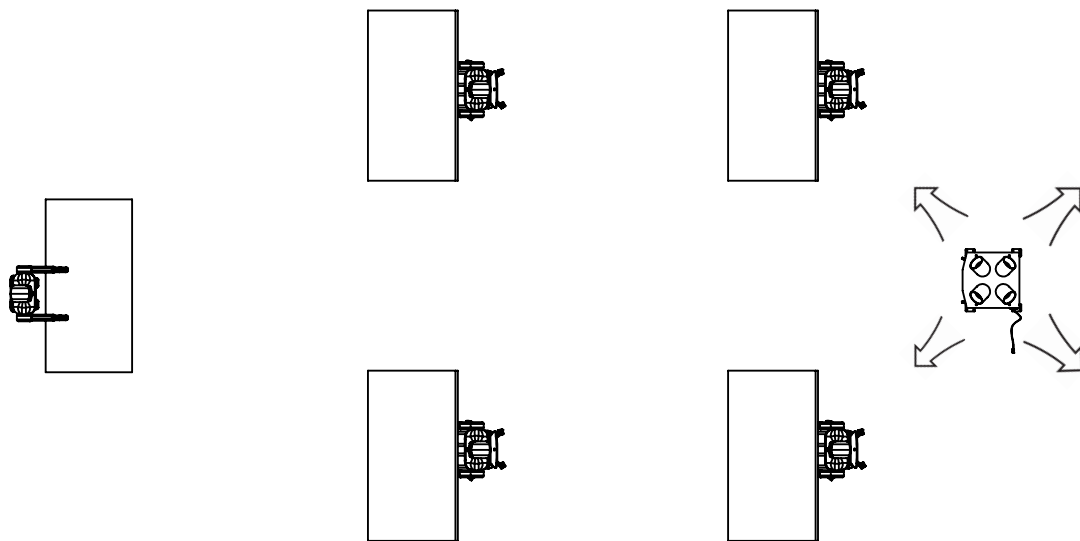
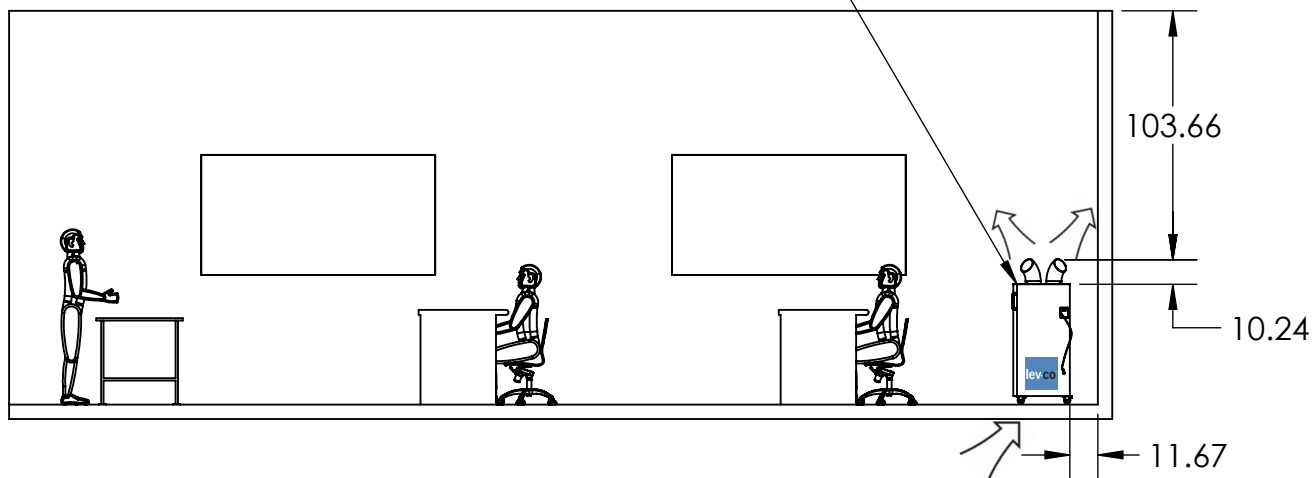


 = AIRFLOW DIRECTION

Standard System Layout



L-8XX
AIR PURIFIER MODULE WITH X ADJUSTMENT NOZZLES



Notes:

- All dimensions are in inches
- This is the standard layout for this solution where the air purifier module can be moved to any desired location in the room

CUSTOMER:
CUSTOMER PO:
PROJECT:
ENGINEER:
SALES REP:
TAGGING:



The device depicted and described hereon embodies proprietary information owned by the manufacturer. All Design, manufacturing, reproduction, sales and patent rights regarding this device or drawing reserved except where explicit right is guaranteed in writing. We reserve the right to make design changes.

Drawn By: Mark Fanous
Date: 4/1/2021
Scale: NTS
Weight: N/A

Copyright © 2021 by Lev-Co, The Local Exhaust and Ventilation Company Inc. All rights reserved. No part of this product may be reproduced or used in any manner without written permission of the copyright owner.

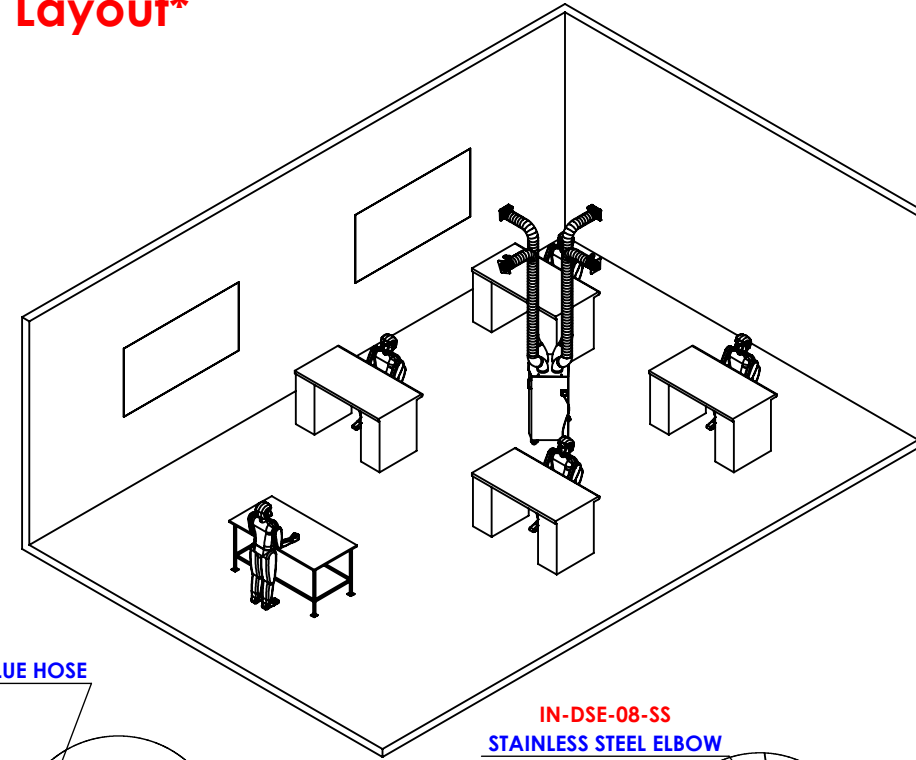
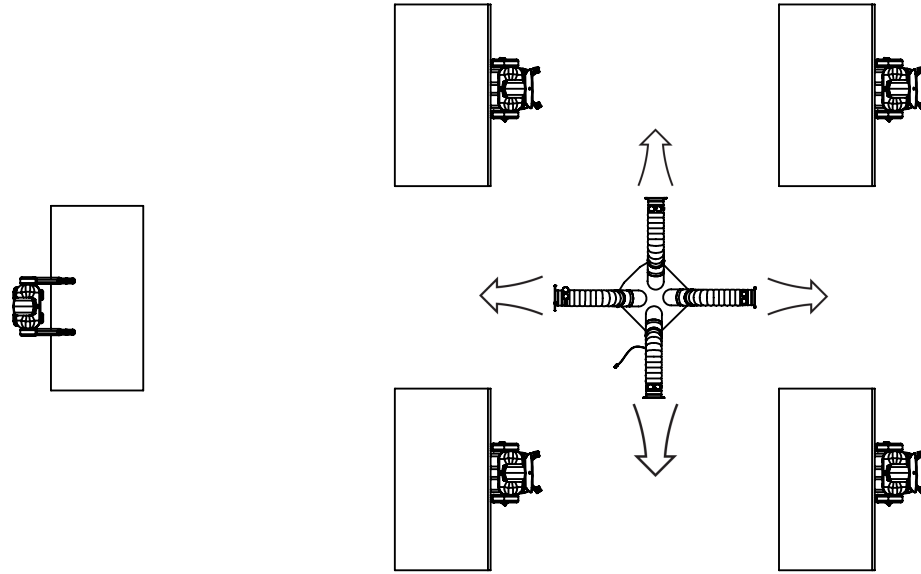
(20-014) ICA 45 DEGREE ADJUSTMENT NOZZLE WITH HEPA H14 FILTRATION

SPECIFICATION DRAWING

Drawing No: Sheet: 1 / 5
File Name: (20-014) ICA 45 DEGREE ADJUSTMENT NOZZLE WITH HEPA H14 FILTRATION

 = AIRFLOW DIRECTION

Optional Custom Layout

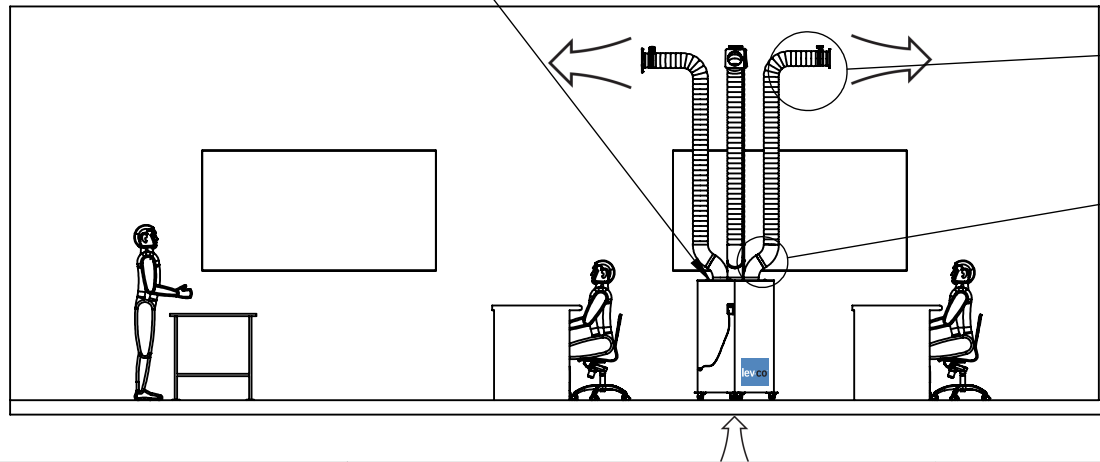


L-8XX
AIR PURIFIER MODULE WITH X
ADJUSTMENT NOZZLES

S-200-1
FIRE RETARDANT BLUE HOSE

IN-DSE-08-SS
STAINLESS STEEL ELBOW

OM-071
HOOD WITH DAMPER



Notes:

- This is an optional layout that can be created with given dimensions of the room this unit is being installed in.
- The unit in this example is a quad arm air purifier module that can be switched out according to the customers liking. (i.e. Single nozzle, dual nozzles, etc.)

CUSTOMER:
CUSTOMER PO:
PROJECT:
ENGINEER:
SALES REP:
TAGGING:



The device depicted and described hereon embodies proprietary information owned by the manufacturer. All Design, manufacturing, reproduction, sales and patent rights regarding this device or drawing reserved except where explicit right is guaranteed in writing. We reserve the right to make design changes.

Drawn By: Mark Fanous
Date: 4/1/2021
Scale: NTS
Weight: N/A
Copyright © 2021 by Lev-Co, The Local Exhaust and Ventilation Company Inc. All rights reserved. No part of this product may be reproduced or used in any manner without written permission of the copyright owner.

(20-014) ICA 45 DEGREE ADJUSTMENT NOZZLE WITH HEPA H14 FILTRATION
SPECIFICATION DRAWING
Drawing No: _____ Sheet: 2 / 5
File Name: (20-014) ICA 45 DEGREE ADJUSTMENT NOZZLE WITH HEPA H14 FILTRATION

Models & Options

Part# Description

Main System: Select an Air Purifier Module (Fan/Filter/Cotrols)

80 CFM per foot of table legnth

- ___ L-806 COVID-ICA1/ADO1/700-HEPA fan/filter unit H14. **1 Outlet D.200/45.** EC 1-phase, 220V, 50/60Hz, **175W. H14(8m2)**
- ___ L-808 COVID-ICA2/ADO2/700-HEPA fan/filter unit H14. **2 Outlets D.160/45.** EC 1-phase, 220V, 50/60Hz, **350W. H14(8m2)**
- ___ L-810 COVID-ICA1/ADO1/1000-HEPA fan/filter unit H14. **1 Outlet D.200/45.** EC 1-phase, 220V, 50/60Hz, **175W. H14(13m2)**
- ___ L-812 COVID-ICA2/ADO2/1000-HEPA fan/filter unit H14. **2 Outlets D.200/45.** EC 1-phase, 220V, 50/60Hz, **350W. H14(13m2)**
- ___ L-814 COVID-ICA4/ADO4/1000-HEPA fan/filter unit H14. **4 Outlets D.160/45.** EC 1-phase, 220V, 50/60Hz, **350W. H14(13m2)**

Optional Replacement Washable Pre-Filter

- ___ L-800 Replacement F5 Prefilter for COVID-ICA-**700** Models.
- ___ L-801 Replacement F5 Prefilter for COVID-ICA-**1000** Models.

Optional Replacment HEPA Filter

- ___ L-802 Replacement HEPA filter coronavirus H14 (**8m2**) for COVID-ICA-**700** Models. Certificate and Leak Test.
- ___ L-803 Replacement HEPA filter coronavirus H14 (**13m2**) for COVID-ICA-**1000** Models. Certificate and Leak Test.

Optional Nozzle Diffuser

- ___ NOZZLE-DIFFUSER-8 Round Nozzle Diffuser - 8 inch - Aluminium

Optional Casters

- ___ L-579 Casters 4x125mm for all air purifiers for COVID-ICA-700/1000 Models.

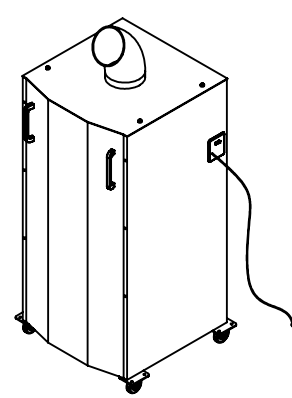
Part# Description

Optional Custom Paint Upgrade

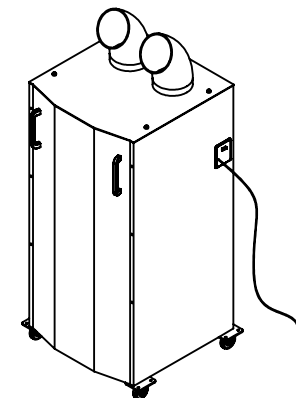
- ___ CUSTOM-PAINT-UPGRADE COVID-ICA1/H-ADO1/700-HEPA fan/filter unit H14. 1 Outlet D.200/90. EC 1-phase, 220V,50/60Hz, 175W.H14(8m2)

Optional Installation Accessories

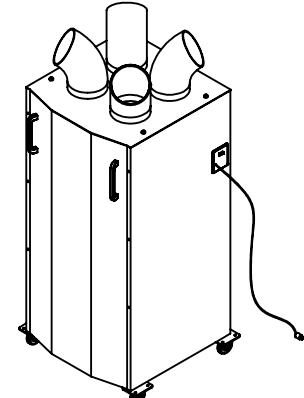
- ___ BELT-COUP-8-10 MESH BELT COUPLER 8-10" DIAMETER, 4 TIGHTENING CLAMPS
- ___ HCS-8 Gear Clamps HS140, 7.5" - 9.5"
- ___ OM-071 Hood D200MM with damper for externally supported extraction arm. Pro-flex, supermax or magnetic hood
- ___ S-200-1 Fire retardant PVC coated polyester blue hose. 8" Diameter (sold per foot)



L-806/L-810



L-808/L-812



L-814

CUSTOMER:
 CUSTOMER PO:
 PROJECT:
 ENGINEER:
 SALES REP:
 TAGGING:



The device depicted and described hereon embodies proprietary information owned by the manufacturer. All Design, manufacturing, reproduction, sales and patent rights regarding this device or drawing reserved except where explicit right is guaranteed in writing. We reserve the right to make design changes.

Drawn By: Mark Fanous
 Date: 4/1/2021
 Scale: NTS
 Weight: N/A
 Copyright © 2021 by Lev-Co. The Local Exhaust and Ventilation Company Inc. All rights reserved. No part of this product may be reproduced or used in any manner without written permission of the copyright owner.

(20-014) ICA 45 DEGREE ADJUSTMENT NOZZLE WITH HEPA H14 FILTRATION
 SPECIFICATION DRAWING
 Drawing No: _____ Sheet: 3 / 5
 File Name: (20-014) ICA 45 DEGREE ADJUSTMENT NOZZLE WITH HEPA H14 FILTRATION

AIR PURIFIER MODULE SOUND LEVEL AND ACH

SOUND LEVELS

ICA-700 (400 CFM)

400 CFM	CFM	dB/A
700	420	59
400	240	53
300	180	49
200	120	44
150	90	39

ICA-1000 (600 CFM)

600 CFM	CFM	dB/A
950	570	66
700	420	63
450	270	57
300	180	49
250	150	46
200	120	43

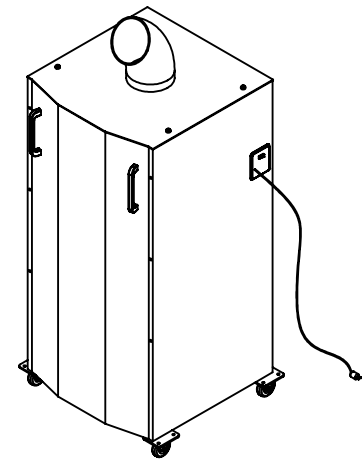
ACH - AIR CHANGES PER HOUR

	ROOM AREA (ft ²)	ROOM VOLUME (ft ³) (8' CEILING HEIGHT)	CADR (CFM)	ACH WITHOUT K FACTOR	ACH WHEN ALLOWING FOR A K FACTOR OF 1.5
400 CFM	900	9000	400	2.7	1.8
600 CFM	900	9000	600	4.0	2.7

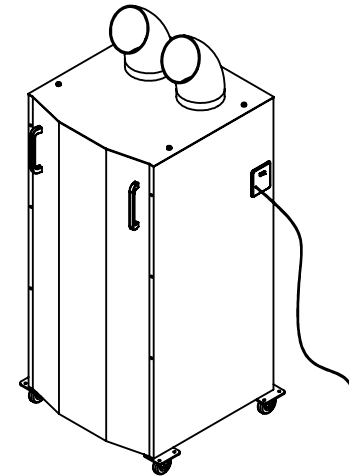
NB: CADR W/O DUCT, PERFORMANCE WILL BE LESS ONCE YOU ALLOW FOR FRICTION LOSSES IN THE DUCT

CADR = CLEAN AIR DELIVERY RATE

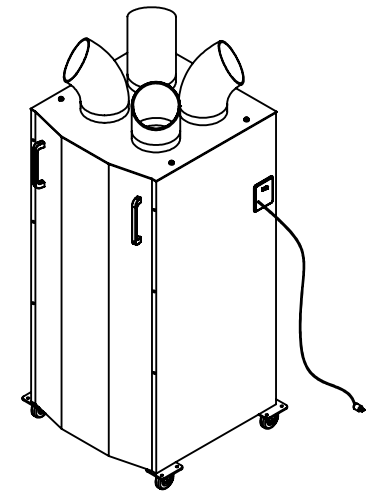
ACH = AIR CHANGES PER HOUR



L-806/L-810



L-808/L-812



L-814

CUSTOMER:
CUSTOMER PO:
PROJECT:
ENGINEER:
SALES REP:
TAGGING:



The device depicted and described hereon embodies proprietary information owned by the manufacturer. All Design, manufacturing, reproduction, sales and patent rights regarding this device or drawing reserved except where explicit right is guaranteed in writing. We reserve the right to make design changes.

Drawn By: Mark Fanous
Date: 4/1/2021
Scale: NTS
Weight: N/A

Copyright © 2021 by Lev-Co, The Local Exhaust and Ventilation Company Inc. All rights reserved. No part of this product may be reproduced or used in any manner without written permission of the copyright owner.

(20-014) ICA 45 DEGREE ADJUSTMENT NOZZLE WITH HEPA H14 FILTRATION

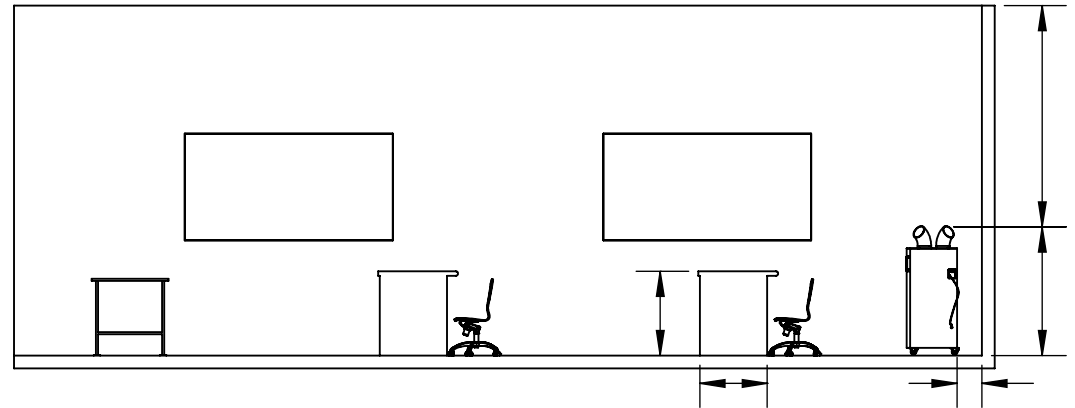
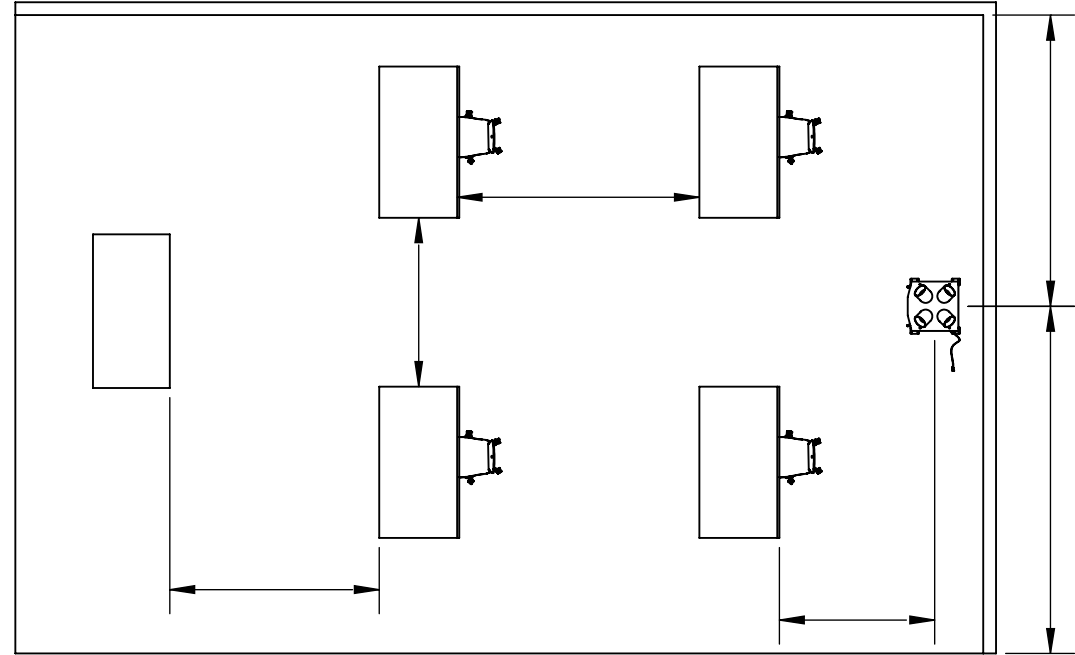
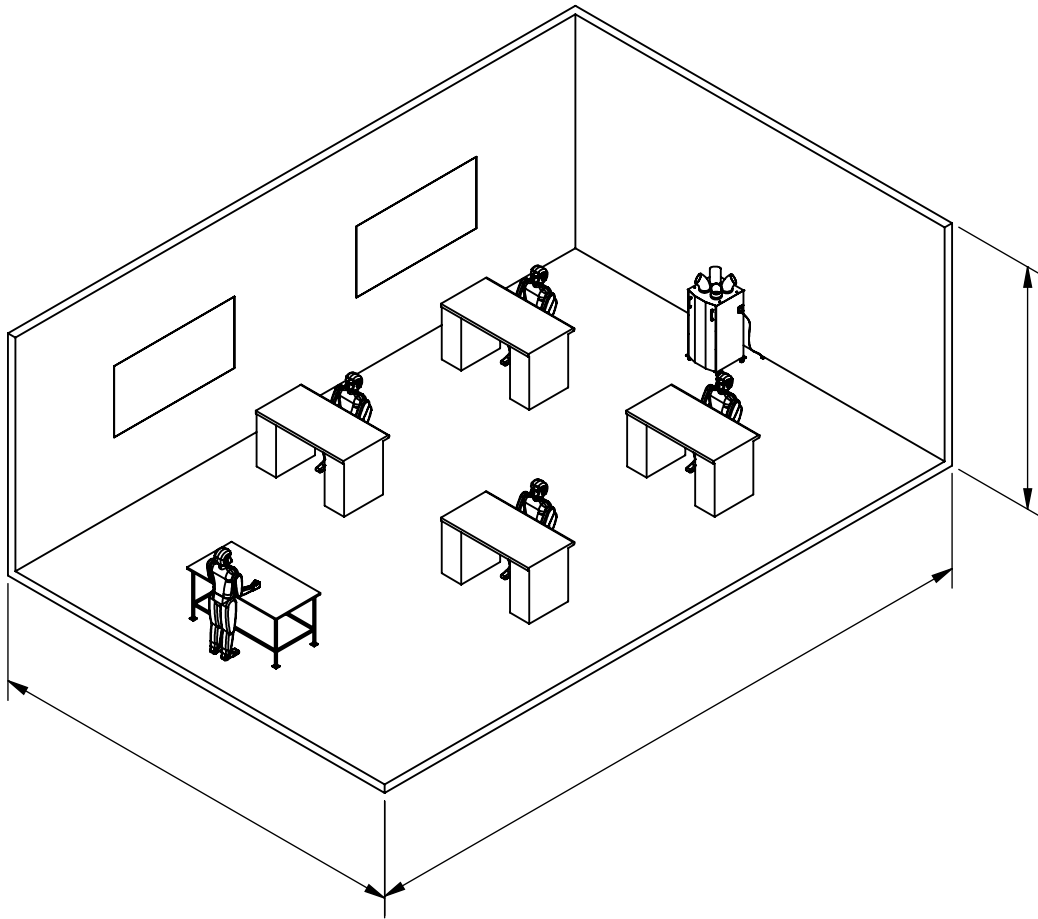
SPECIFICATION DRAWING

Drawing No: Sheet: 4 / 5

File Name: (20-014) ICA 45 DEGREE ADJUSTMENT NOZZLE WITH HEPA H14 FILTRATION

Customer Dimensioning Template

Feel free to use this template to fill out all the dimensioning information of the room you are looking to install this unit in



CUSTOMER:
 CUSTOMER PO:
 PROJECT:
 ENGINEER:
 SALES REP:
 TAGGING:



The device depicted and described hereon embodies proprietary information owned by the manufacturer. All Design, manufacturing, reproduction, sales and patent rights regarding this device or drawing reserved except where explicit right is guaranteed in writing. We reserve the right to make design changes.

Drawn By: Mark Fanous
 Date: 4/1/2021
 Scale: NTS
 Weight: N/A
 Copyright © 2021 by Lev-Co, The Local Exhaust and Ventilation Company Inc. All rights reserved. No part of this product may be reproduced or used in any manner without written permission of the copyright owner.

(20-014) ICA 45 DEGREE ADJUSTMENT NOZZLE WITH HEPA H14 FILTRATION
 SPECIFICATION DRAWING
 Drawing No: Sheet: 5 / 5
 File Name: (20-014) ICA 45 DEGREE ADJUSTMENT NOZZLE WITH HEPA H14 FILTRATION