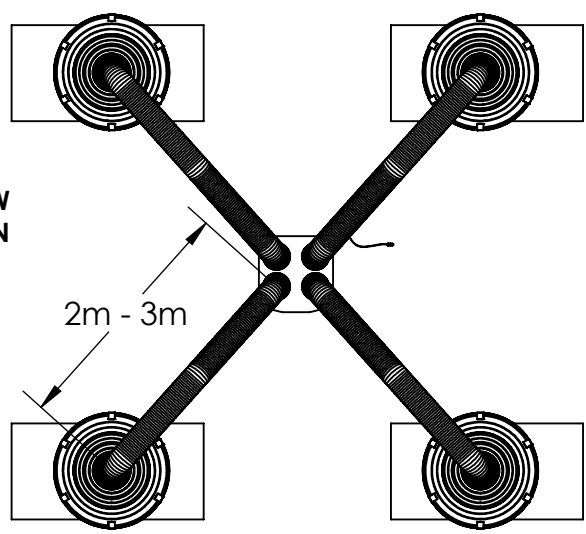
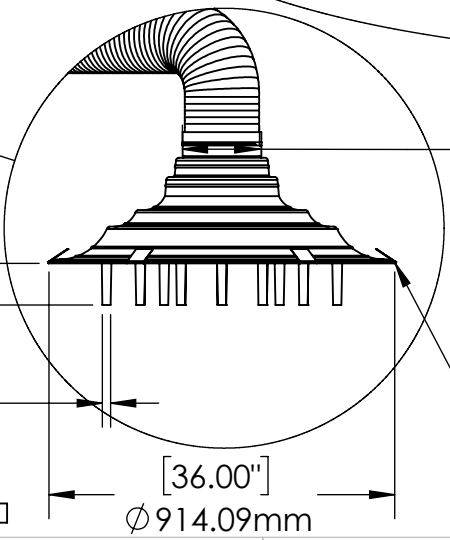
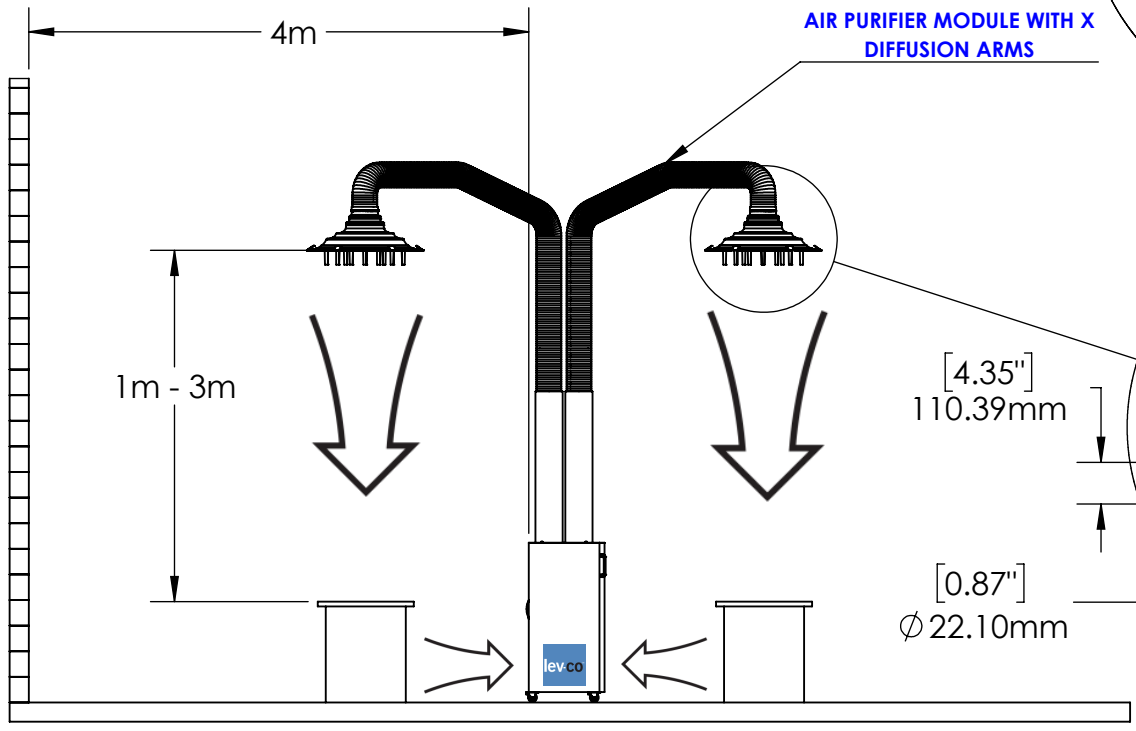
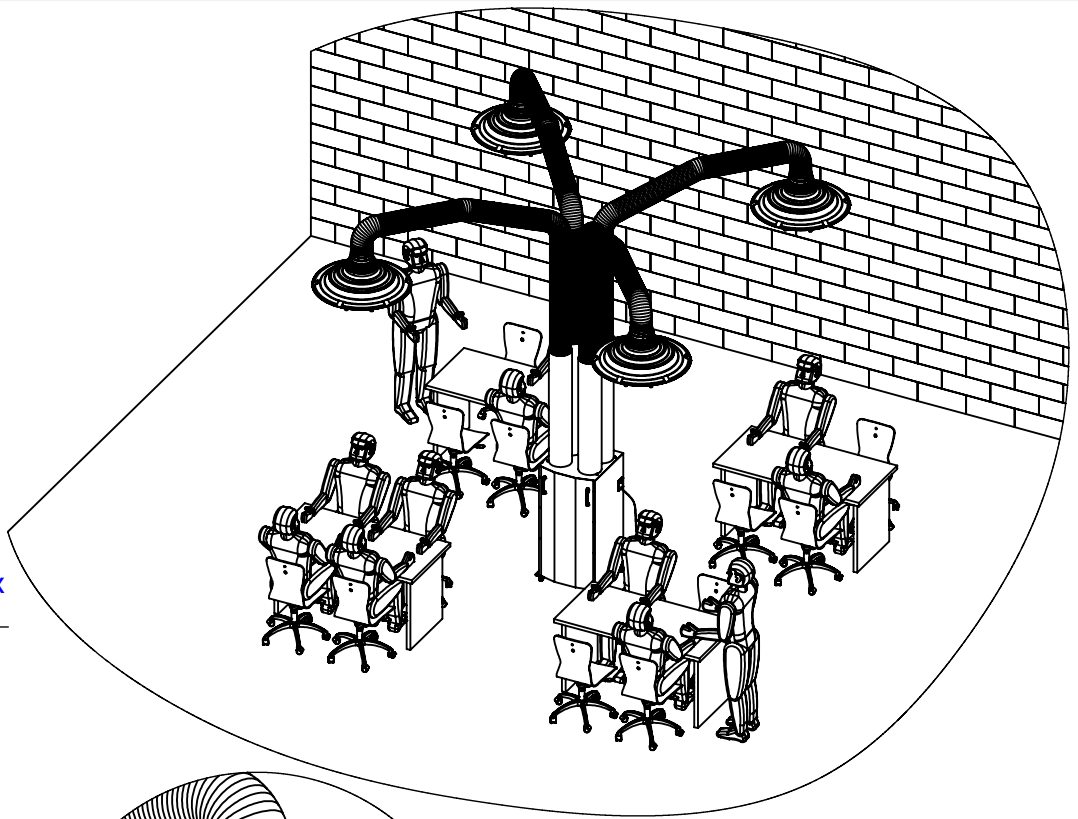


→ = AIRFLOW DIRECTION



L-8XX
AIR PURIFIER MODULE WITH X
DIFFUSION ARMS



[8.00"]
Ø 203.20mm

RELH-RAIN-HOOD-8-36
CONICAL HOOD EXTENSION FOR 8" HOODS. 36"
DIAMETER RECEIVING END. COMES WITH FACE PLATE
AND 3D PRINTED NOZZLES

CUSTOMER:
CUSTOMER PO:
PROJECT:
ENGINEER:
SALES REP:
TAGGING:



The device depicted and described hereon embodies proprietary information owned by the manufacturer. All Design, manufacturing, reproduction, sales and patent rights regarding this device or drawing reserved except where explicit right is guaranteed in writing. We reserve the right to make design changes.

Drawn By: Mark Fanous
Date: 3/26/2021
Scale: NTS
Weight: N/A
Copyright © 2021 by Lev-Co, The Local Exhaust and Ventilation Company Inc. All rights reserved. No part of this product may be reproduced or used in any manner without written permission of the copyright owner.

(20-012) ICA "OVERHEAD SUPPLY ARMS WITH DIFFUSION HOOD" WITH HEPA H14 FILTRATION
SPECIFICATION DRAWING
Drawing No: Sheet: 1 / 5
File Name: (20-012) ICA OVERHEAD SUPPLY ARMS WITH DIFFUSION HOOD WITH HEPA H14 FILTRATION

Models & Options

Part # Description

Main System Option A: Select an Air Purifier for the COVID Singular Arm Filter/Fan Module

- ___ L-854 COVID-ICA1/H-SPOT1/700-HEPA fan/filter unit H14. **1 High Diffusion arm D.160/2m.** EC 1-phase, 220V, 50/60Hz, 175W. H14(8m2).
- ___ L-855 COVID-ICA1/H-SPOT1/700-HEPA fan/filter unit H14. **1 High Diffusion arm D.160/2m.** EC 1-phase, 220V, 50/60Hz, 175W. H14(8m2).
- ___ L-877-1-2-220 Air purifier for COVID and other Viruses - C/W
 - **1 Diffuser Arm** 160mm (6.33") Diameter **2m (6'6") in length**
 - Fan 700 M3H (420 CFM)
 - EC Motor 220V, 50/60Hz 175W
 - HEPA Filter H14 8m2 (80 Ft2)
- ___ L-878-1-3-220 Air purifier for COVID and other Viruses - C/W
 - **1 Diffuser Arm** 160mm (6.33") Diameter **3m (10') in length**
 - Fan 700 M3H (420 CFM)
 - EC Motor 220V, 50/60Hz 175W
 - HEPA Filter H14 8m2 (80 Ft2)

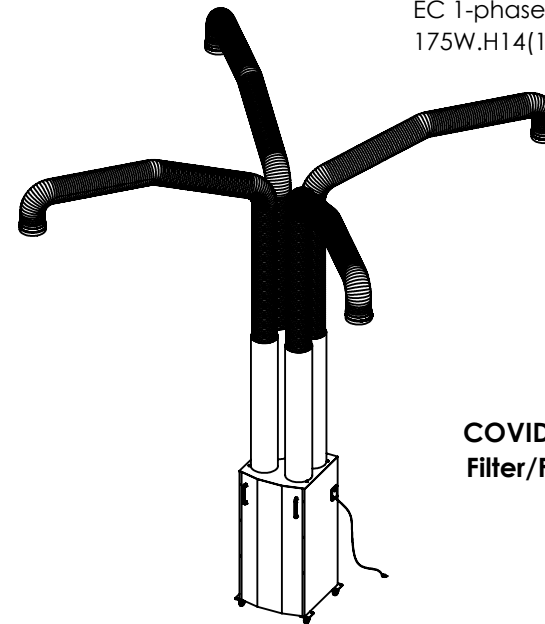
Main System Option B: Select an Air Purifier for the COVID Dual Arm Filter/Fan Module

- ___ L-858 COVID-ICA2/H-SPOT2/700-HEPA fan/filter unit H14. **2 High Diffusion arm D.160/2m.** EC 1-phase, 220V, 50/60Hz, 175W. H14(8m2).
- ___ L-859 COVID-ICA2/H-SPOT2/700-HEPA fan/filter unit H14. **2 High Diffusion arm D.160/3m.** EC 1-phase, 220V, 50/60Hz, 175W. H14(8m2).
- ___ L-862 COVID-ICA2/H-SPOT2/1000-HEPA fan/filter unit H14. **2 High Diffusion arm D.160/2m.** EC 1-phase, 220V, 50/60Hz, 175W. H14(13m2).
- ___ L-863 COVID-ICA2/H-SPOT2/1000-HEPA fan/filter unit H14. **2 High Diffusion arm D.160/3m.** EC 1-phase, 220V, 50/60Hz, 175W. H14(13m2).
- ___ L-881 Air purifier for COVID-ICA2/ SPOT2/700-HEPA fan/filter unit H14. **2 Diffusion arms D.160/ 2m.** EC 1-phase, 220V,50/60Hz,175W.H14(8m2).
- ___ L-882 Air purifier for COVID-ICA2/ SPOT2/700-HEPA fan/filter unit H14. **2 Diffusion arms D.160/ 3m.** EC 1-phase, 220V,50/60Hz,175W.H14(8m2).
- ___ L-885 Air purifier for COVID-ICA2/ SPOT2/1000-HEPA fan/filter unit H14. **2 Diffusion arms D.160/ 2m.** EC 1-phase, 220V,50/60Hz,175W.H14(13m2).
- ___ L-886 Air purifier for COVID-ICA2/ SPOT2/1000-HEPA fan/filter unit H14. **2 Diffusion arms D.160/ 3m.** EC 1-phase, 220V,50/60Hz,175W.H14(13m2).

Part # Description

Main System Option C: Select an Air Purifier for the COVID Quad Arm Filter/Fan Module

- ___ L-866 COVID-ICA4/H-Spot4/1000-HEPA fan/filter unit H14. **4 High Diffusion arms D.160/2m.** EC 1-phase, 220V, 50/60Hz, 175W.H14(13m2).
- ___ L-867 COVID-ICA4/H-Spot4/1000-HEPA fan/filter unit H14. **4 High Diffusion arms D.160/3m.** EC 1-phase, 220V, 50/60Hz, 175W.H14(13m2).
- ___ L-889 COVID-ICA4/Spot4/1000-HEPA fan/filter unit H14. **4 High Diffusion arms D.160/2m.** EC 1-phase, 220V, 50/60Hz, 175W.H14(13m2)
- ___ L-890 COVID-ICA4/Spot4/1000-HEPA fan/filter unit H14. **4 High Diffusion arms D.160/3m.** EC 1-phase, 220V, 50/60Hz, 175W.H14(13m2).



COVID Quad Arm Filter/Fan Module

CUSTOMER:
 CUSTOMER PO:
 PROJECT:
 ENGINEER:
 SALES REP:
 TAGGING:



The device depicted and described hereon embodies proprietary information owned by the manufacturer. All Design, manufacturing, reproduction, sales and patent rights regarding this device or drawing reserved except where explicit right is guaranteed in writing. We reserve the right to make design changes.

Drawn By: Mark Fanous
 Date: 3/26/2021
 Scale: NTS
 Weight: N/A
 Copyright © 2021 by Lev-Co, The Local Exhaust and Ventilation Company Inc. All rights reserved. No part of this product may be reproduced or used in any manner without written permission of the copyright owner.

(20-012) ICA "OVERHEAD SUPPLY ARMS WITH DIFFUSION HOOD" WITH HEPA H14 FILTRATION
 SPECIFICATION DRAWING
 Drawing No: _____ Sheet: 2 / 5
 File Name: (20-012) ICA OVERHEAD SUPPLY ARMS WITH DIFFUSION HOOD WITH HEPA H14 FILTRATION

Models & Options Cont'd

Part # Description

Optional Replacement Washable Pre-Filter

- ___L-800 Replacement F5 Prefilter for COVID-ICA-**700** Models
- ___L-801 Replacement F5 Prefilter for COVID-ICA-**1000** Models

Optional Replacement HEPA Filter

- ___L-802 Replacement HEPA filter coronavirus H14 (**8m2**) for COVID-ICA-**700** Models. Certificate and Leak Test.
- ___L-803 Replacement HEPA filter coronavirus H14 (**13m2**) for COVID-ICA-**1000** Models. Certificate and Leak Test.

Default Diffusion Hood

- ___PLY-DIFFUSION-HOOD Diffusion hood 8" dia with various hole outlets that is provided with this unit as the **default hood unless customer shows interest in another hood option**

Optional 'Rain Hood'

- ___RELH-RAIN-HOOD-8-36 Conical hood extension for 8" dia hoods. 36" dia. receiving end, 16 GA, Aluminium. Bell Mouth Version with "Rain Hood" plate 36" dia. fix on bottom to distribute air flow through 3D printed nozzles.

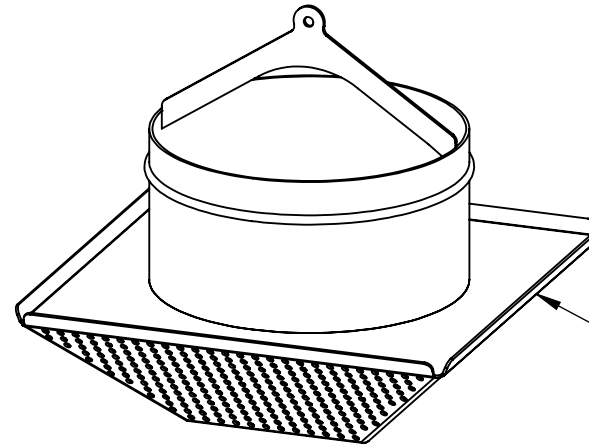
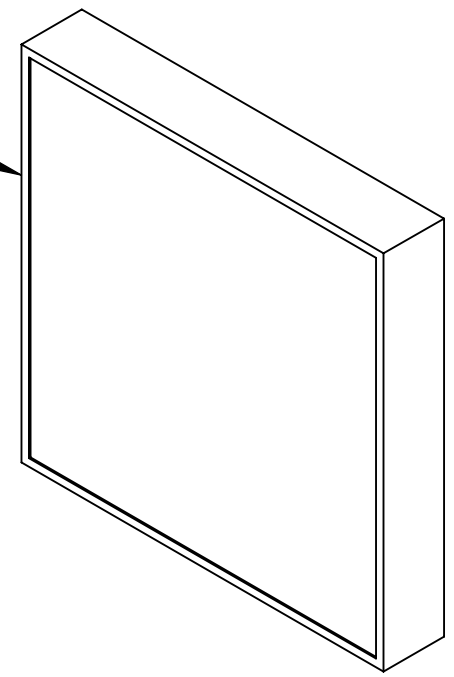
Optional Casters

- ___L-579 Castors 4x125mm for all air purifiers for COVID-ICA-700/1000 Models.

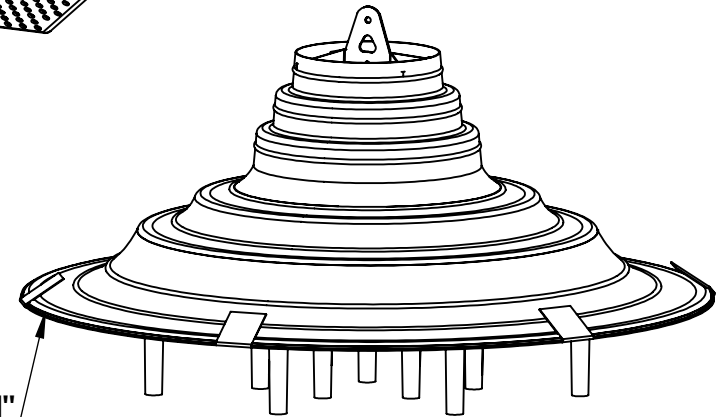
Optional Custom Paint Upgrade

- ___CUSTOM-PAINT-UPGRADE Custom paint upgrade (sheet metal components only). Includes: set up fee, base custom painting, 60 sq ft

Optional Replacement Hepa Filter



Default Diffusion Hood



Optional "Rain Hood"

CUSTOMER:
 CUSTOMER PO:
 PROJECT:
 ENGINEER:
 SALES REP:
 TAGGING:



The device depicted and described hereon embodies proprietary information owned by the manufacturer. All Design, manufacturing, reproduction, sales and patent rights regarding this device or drawing reserved except where explicit right is guaranteed in writing. We reserve the right to make design changes.

Drawn By: Mark Fanous
 Date: 3/26/2021
 Scale: NTS
 Weight: N/A
 Copyright © 2021 by Lev-Co. The Local Exhaust and Ventilation Company Inc. All rights reserved. No part of this product may be reproduced or used in any manner without written permission of the copyright owner.

(20-012) ICA "OVERHEAD SUPPLY ARMS WITH DIFFUSION HOOD" WITH HEPA H14 FILTRATION
 SPECIFICATION DRAWING
 Drawing No: _____ Sheet: 3 / 5
 File Name: (20-012) ICA OVERHEAD SUPPLY ARMS WITH DIFFUSION HOOD WITH HEPA H14 FILTRATION

AIR PURIFIER MODULE SOUND LEVEL AND ACH

SOUND LEVELS

ICA-700 (400 CFM)

400 CFM	CFM	dB/A
700	420	59
400	240	53
300	180	49
200	120	44
150	90	39

ICA-1000 (600 CFM)

600 CFM	CFM	dB/A
950	570	66
700	420	63
450	270	57
300	180	49
250	150	46
200	120	43

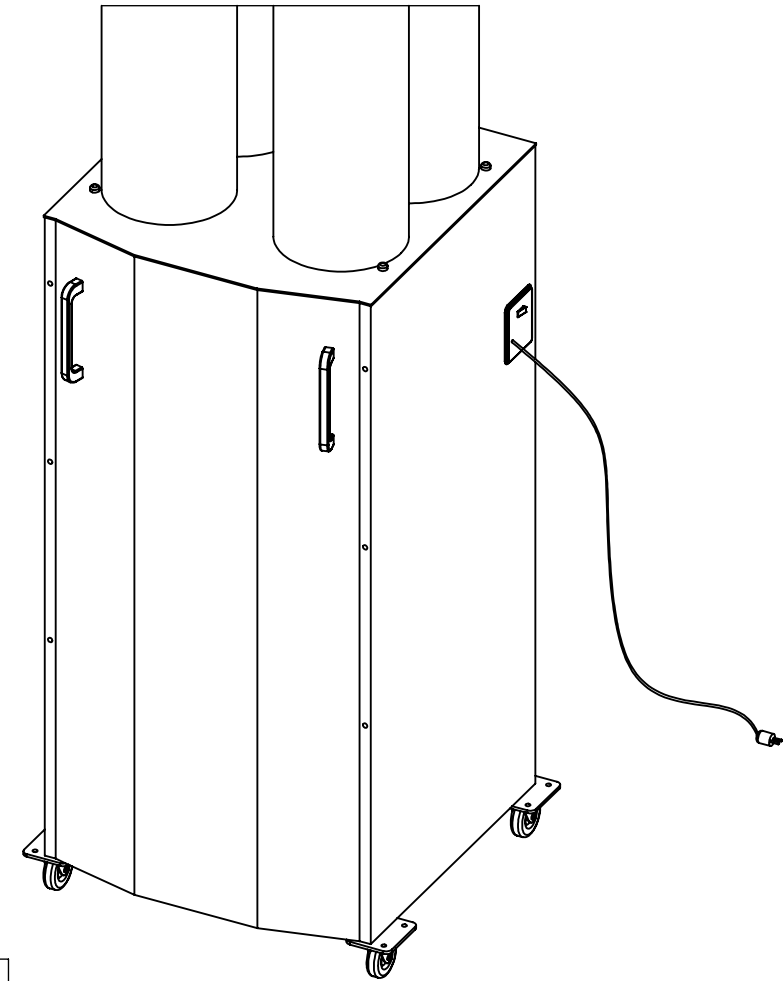
ACH - AIR CHANGES PER HOUR

	ROOM AREA (ft ²)	ROOM VOLUME (ft ³) (8' CEILING HEIGHT)	CADR (CFM)	ACH WITHOUT K FACTOR	ACH WHEN ALLOWING FOR A K FACTOR OF 1.5
400 CFM	900	9000	400	2.7	1.8
600 CFM	900	9000	600	4.0	2.7

NB: CADR W/O DUCT, PERFORMANCE WILL BE LESS ONCE YOU ALLOW FOR FRICTION LOSSES IN THE DUCT

CADR = CLEAN AIR DELIVERY RATE

ACH = AIR CHANGES PER HOUR



CUSTOMER:
CUSTOMER PO:
PROJECT:
ENGINEER:
SALES REP:
TAGGING:



The device depicted and described hereon embodies proprietary information owned by the manufacturer. All Design, manufacturing, reproduction, sales and patent rights regarding this device or drawing reserved except where explicit right is guaranteed in writing. We reserve the right to make design changes.

Drawn By: Mark Fanous
Date: 3/26/2021
Scale: NTS
Weight: N/A

Copyright © 2021 by Lev-Co, The Local Exhaust and Ventilation Company Inc. All rights reserved. No part of this product may be reproduced or used in any manner without written permission of the copyright owner.

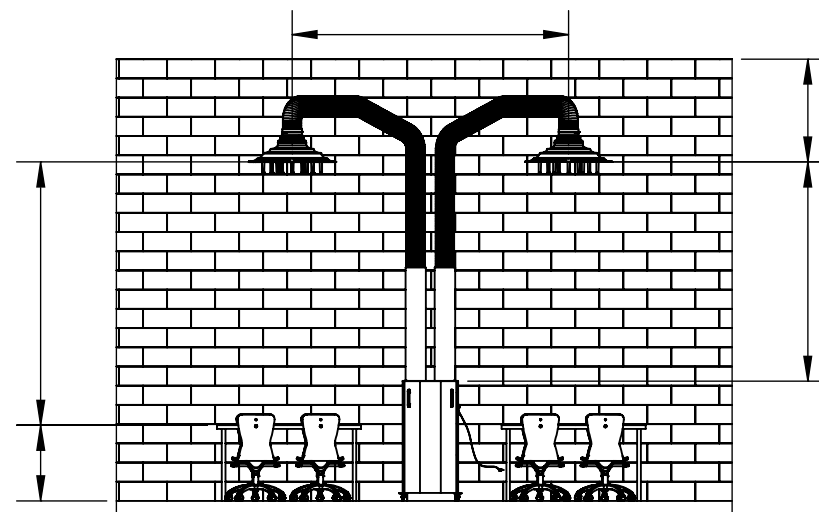
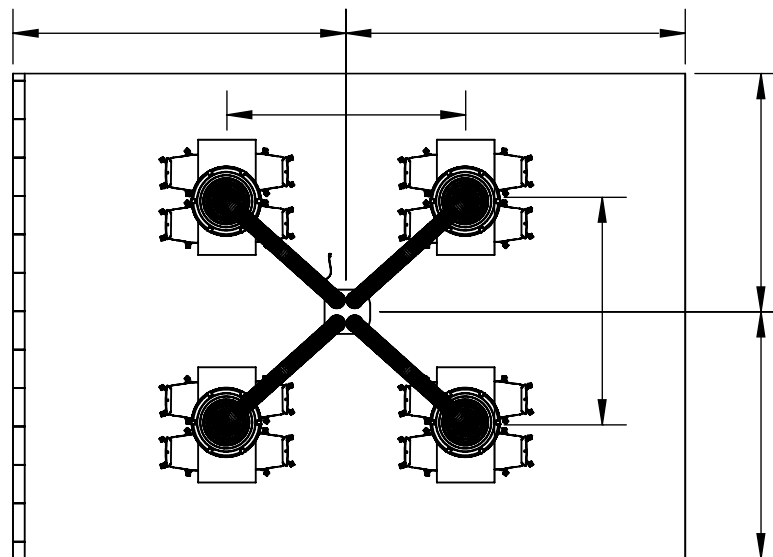
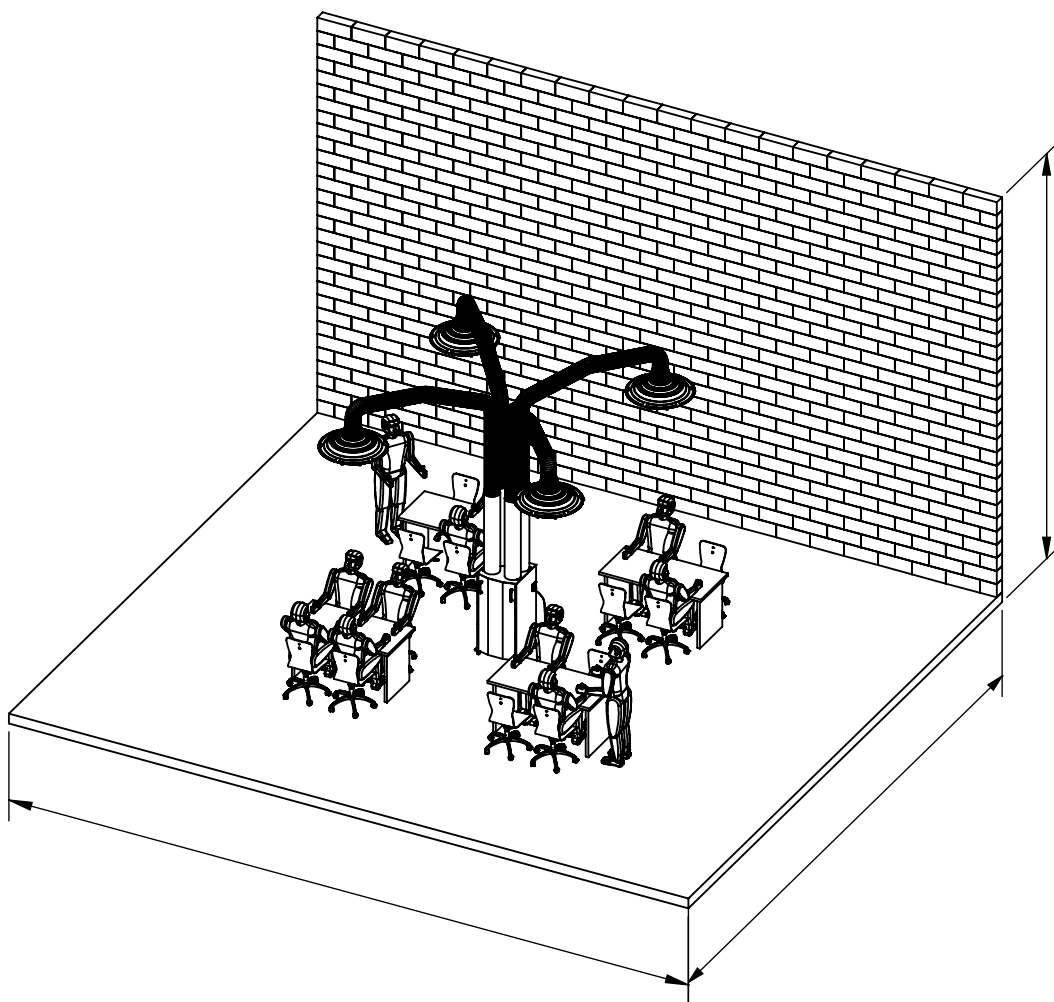
(20-012) ICA "OVERHEAD SUPPLY ARMS WITH DIFFUSION HOOD" WITH HEPA H14 FILTRATION

SPECIFICATION DRAWING

Drawing No: Sheet: 4 / 5
File Name: (20-012) ICA OVERHEAD SUPPLY ARMS WITH DIFFUSION HOOD WITH HEPA H14 FILTRATION

Customer Dimensioning Template

Feel free to use this template to fill out all the dimensioning information of the room you are looking to install this unit in.



CUSTOMER:
 CUSTOMER PO:
 PROJECT:
 ENGINEER:
 SALES REP:
 TAGGING:



The device depicted and described hereon embodies proprietary information owned by the manufacturer. All Design, manufacturing, reproduction, sales and patent rights regarding this device or drawing reserved except where explicit right is guaranteed in writing. We reserve the right to make design changes.

Drawn By: Mark Fanous
 Date: 3/26/2021
 Scale: NTS
 Weight: N/A

Copyright © 2021 by Lev-Co. The Local Exhaust and Ventilation Company Inc. All rights reserved. No part of this product may be reproduced or used in any manner without written permission of the copyright owner.

(20-012) ICA "OVERHEAD SUPPLY ARMS WITH DIFFUSION HOOD" WITH HEPA H14 FILTRATION
 SPECIFICATION DRAWING

Drawing No: Sheet: 5 / 5
 File Name: (20-012) ICA OVERHEAD SUPPLY ARMS WITH DIFFUSION HOOD WITH HEPA H14 FILTRATION