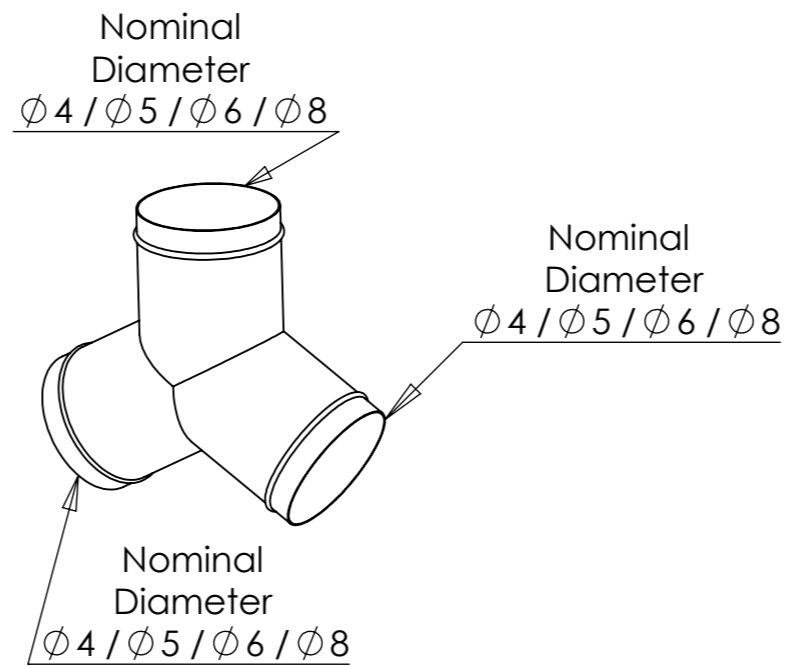


**"Y" Adaptor with 2.5 M of Low Temp Hose**

- YA-LT-4 4"x4"x4" "Y" adaptor c/w two (2) drops 2.5m (8.2') of 250 F hose
- YA-LT-5 5"x5"x5" "Y" adaptor c/w two (2) drops 2.5m (8.2') of 250 F hose
- YA-LT-6 6"x6"x6" "Y" adaptor c/w two (2) drops 2.5m (8.2') of 250 F hose
- YA-LT-8 8"x8"x8" "Y" adaptor c/w two (2) drops 2.5m (8.2') of 250 F hose

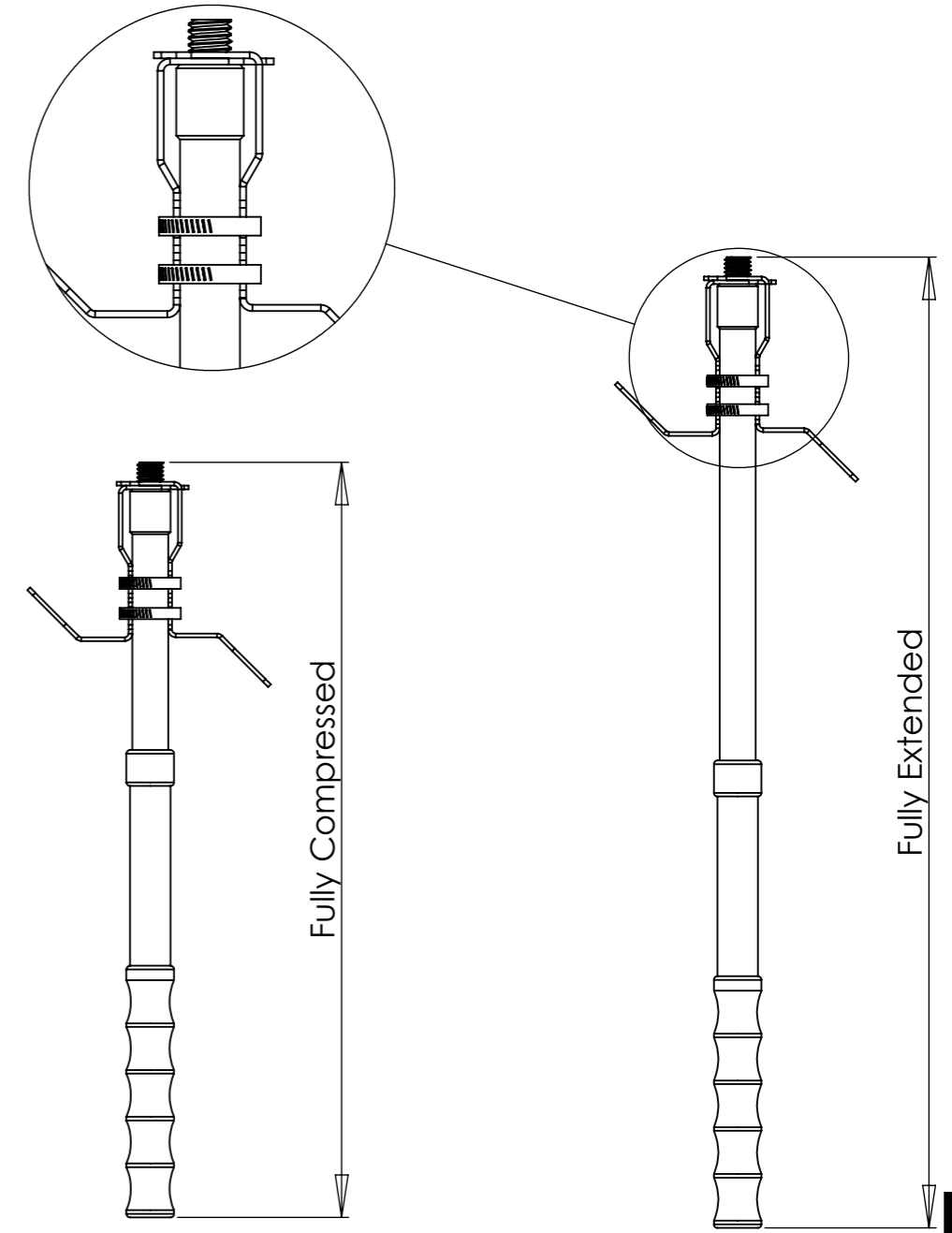
**"Y" Adaptor with 2.5 M of High Temp Hose**

- YA-HT-4 4"x4"x4" "Y" adaptor c/w two (2) drops 2.5m (8.2') of 600 F hose
- YA-HT-5 5"x5"x5" "Y" adaptor c/w two (2) drops 2.5m (8.2') of 600 F hose
- YA-HT-6 6"x6"x6" "Y" adaptor c/w two (2) drops 2.5m (8.2') of 600 F hose
- YA-HT-8 8"x8"x8" "Y" adaptor c/w two (2) drops 2.5m (8.2') of 600 F hose



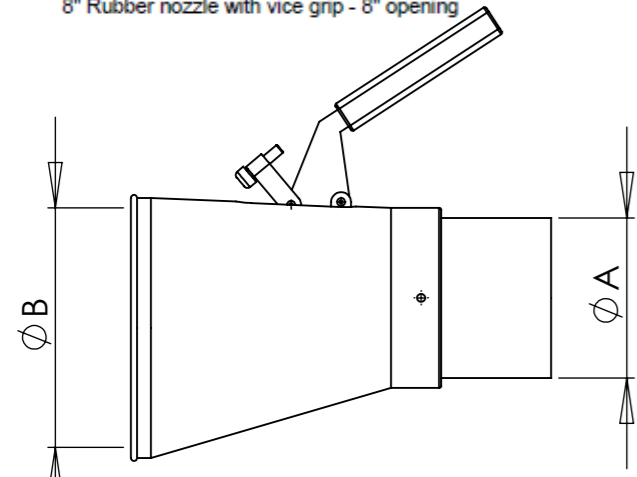
**Misc. Options**

- TP-4-8 Telescoping pole 4' - 8'
- TP-6-12 Telescoping pole 6' - 12'

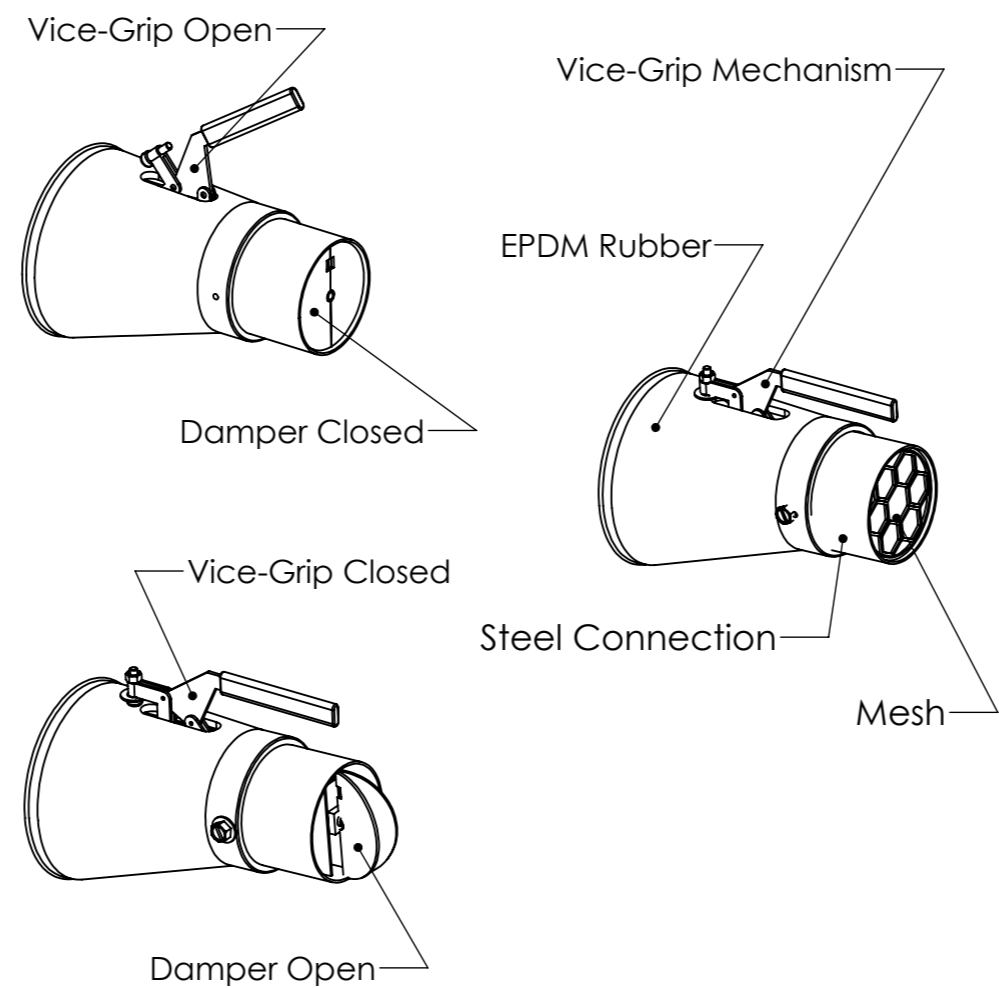


**Manual circular rubber nozzle**

- SRF-4/D 4" Rubber nozzle with vice grip and automatic damper - 6" opening 5"
- SRF-5/D Rubber nozzle with vice grip and automatic damper - 8" opening 6" Rubber
- SRF-6/D nozzle with vice grip and automatic damper - 8" opening 8" Rubber nozzle
- SRF-8/D with vice grip and automatic damper - 8" opening 4" Rubber nozzle with
- SRF-4 vice grip - 6" opening
- SRF-5 5" Rubber nozzle with vice grip - 8" opening
- SRF-6 6" Rubber nozzle with vice grip - 8" opening
- SRF-8 8" Rubber nozzle with vice grip - 8" opening



	A	B	C		A	B	C
SRF-4	4" $\phi$	6" $\phi$	10 1/4"	SRF-4/D	4" $\phi$	6" $\phi$	10 1/4"
SRF-5	5" $\phi$	8" $\phi$	13 1/4"	SRF-5/D	5" $\phi$	8" $\phi$	13 1/4"
SRF-6	6" $\phi$	8" $\phi$	10 1/4"	SRF-6/D	6" $\phi$	8" $\phi$	10 1/4"
SRF-8	8" $\phi$	10" $\phi$	10 1/4"	SRF-8/D	8" $\phi$	10" $\phi$	10 1/4"



Note: SRF-5 is made of SRF-6 and a 6" to 5" reducer factory installed  
 SRF-5/D is made of SRF-6/D and a 6" to 5" reducer factory installed

14-11

CUSTOMER:  
 CUSTOMER P.O.:  
 PROJECT:  
 ENGINEER:  
 SALES REP.:  
 IDENTIFICATION / TAGGING:

[www.lev-co.com](http://www.lev-co.com) • 1.888.862.5356



The device depicted and described hereon embodies proprietary information owned by the manufacturer. All design, manufacturing, reproduction, sales and patent rights regarding this device or drawing reserved except where explicit right is guaranteed in writing. We reserve the right to make design changes.

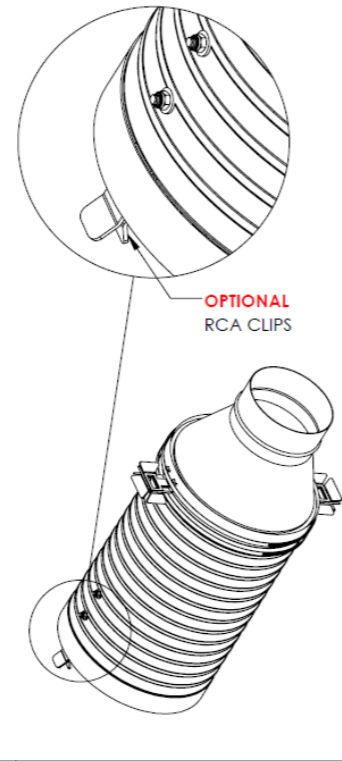
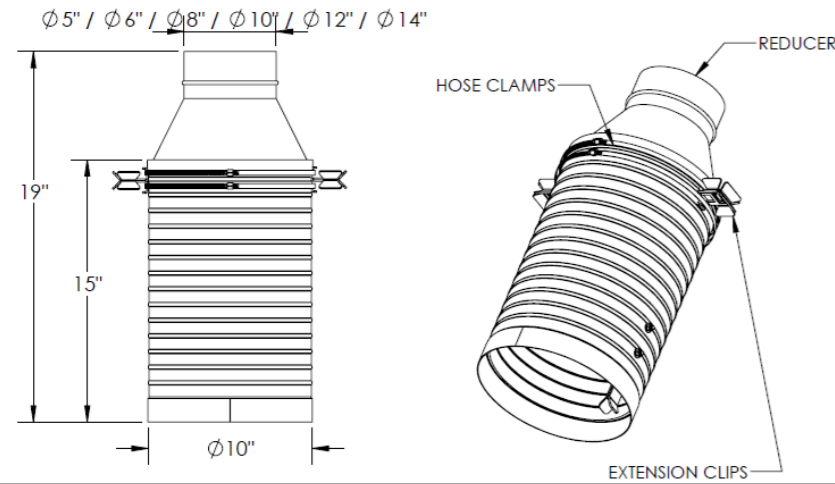
Drawn by: Dan  
 Date: 1/19/2012  
 Scale: NTS  
 Weight: N/A

**14-11 VEHICLE EXHAUST**  
**Fittings and Accessories**  
**Specification Drawing**

Drawing No.: -  
 Material: -  
 File Name: (14-11) VE fittings and accessories  
 Sheet: 1/7

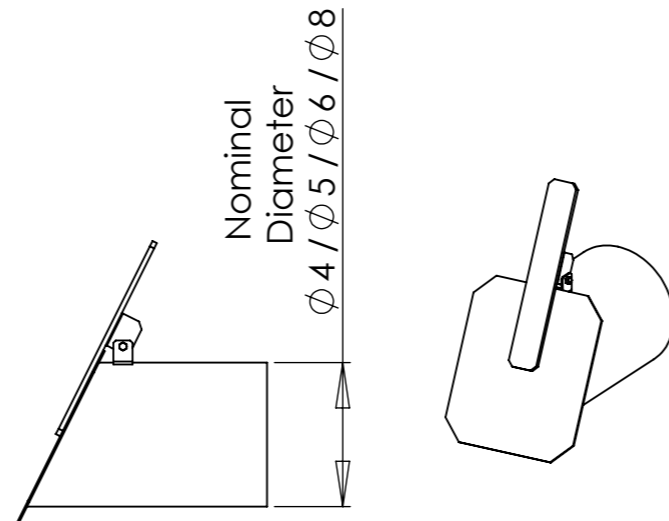
**Rubber Stack Adapter w/ in-line hose connection**

- RCA-5 5" Diesel Stack Adapter - 10" opening for exhaust pipe
- RCA-5/D 5" Diesel Stack Adapter - with Damper
- RCA-6 6" Diesel Stack Adapter - 10" opening for exhaust pipe
- RCA-6/D 6" Diesel Stack Adapter - with Damper
- RCA-8 8" Diesel Stack Adapter - 10" opening for exhaust pipe
- RCA-8/D 8" Diesel Stack Adapter - with Damper
- RCA-10 10" Diesel Stack Adapter - 10" opening for exhaust pipe
- RCA-12 12" Diesel Stack Adapter - 14" opening for exhaust pipe
- RCA-12/D 12" Diesel Stack Adapter - with Damper
- RCA-14 10" Diesel Stack Adapter - 14" opening for exhaust pipe



**Tail Pipe Adapters**

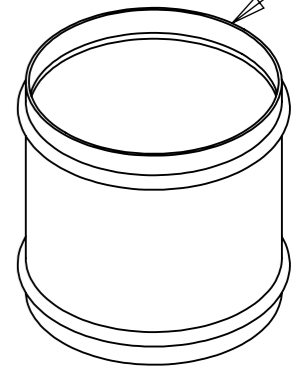
- LQ-54 4" manual steel tailpipe adapter
- LQ-55 5" manual steel tailpipe adapter
- LQ-56 6" manual steel tailpipe adapter
- LQ-58 8" manual steel tailpipe adapter



**Hose Connectors**

- HCG-4 Hose Connectors 4" (100mm) Ø
- HCG-5 Hose Connectors 5" (125mm) Ø
- HCG-6 Hose Connectors 6" (150mm) Ø
- HCG-8 Hose Connectors 8" (200mm) Ø
- HCG-6.33 Hose Connectors 6.33" (160mm) Ø
- HCG-7 Hose Connectors 7" (175mm) Ø

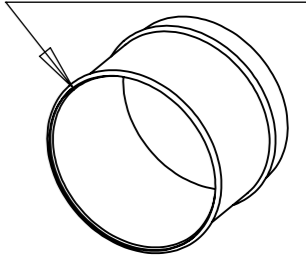
Nominal Diameter  
 $\phi 4 / \phi 5 / \phi 6 / \phi 6.33 / \phi 8$



**Quick Hose Connectors**

- QHC-4 4" (100mm) Quick Hose Connector Kit
- QHC-5 5" (125mm) Quick Hose Connector Kit
- QHC-6 6" (150mm) Quick Hose Connector Kit
- QHC-8 8" (200mm) Quick Hose Connector Kit

Nominal Diameter  
 $\phi 4 / \phi 5 / \phi 6 / \phi 8$



**Rubber Tailpipe/Stack Adapter w/ 45 deg. hose connection**

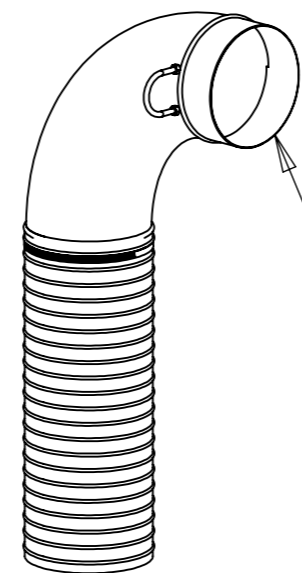
- RTA-4 Rubber Tailpipe Adapter 4" (100mm) Ø c/w chain and hook.
- RTA-5 Rubber Tailpipe Adapter 5" (125mm) Ø c/w chain and hook.
- RTA-6 Rubber Tailpipe Adapter 6" (150mm) Ø c/w chain and hook.
- RTA-8 Rubber Tailpipe Adapter 8" (200mm) Ø c/w chain and hook.



Nominal Diameter  
 $\phi 4 / \phi 5 / \phi 6 / \phi 8$

**Rubber Stack Adapter w/ 90 deg. hose connection**

- DSA-5 Diesel Stack Adapter for vertical pipes 5" (125mm) Ø c/w Telescopic Pole.
- DSA-6 Diesel Stack Adapter for vertical pipes 6" (150mm) Ø c/w Telescopic Pole.
- DSA-8 Diesel Stack Adapter for vertical pipes 8" (200mm) Ø c/w Telescopic Pole.

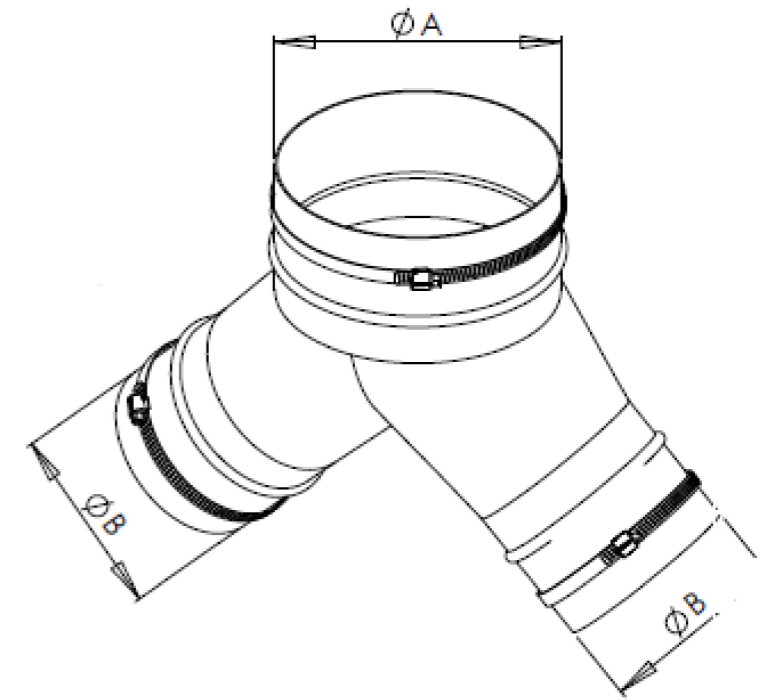


Nominal Diameter  
 $\phi 5 / \phi 6 / \phi 8$

**Y-Connectors**

- VE-Y-4 4"x4"x4" "Y" adaptor c/w 3 hose clamps
- VE-Y-5 5"x5"x5" "Y" adaptor
- VE-Y-6 6"x6"x6" "Y" adaptor
- VE-Y-8 8"x8"x8" "Y" adaptor
- VE-Y-8x6 8"x6"x6" "Y" adaptor
- VE-Y-4x3 4"x3"x3" "Y" adaptor
- VE-Y-5x4 5"x4"x4" "Y" adaptor
- VE-Y-6x5 6"x5"x5" "Y" adaptor

	A	B
H-RED-5x4	5" Ø	4" Ø
H-RED-6x4	6" Ø	4" Ø
H-RED-8x6	8" Ø	6" Ø
H-RED-6x5	6" Ø	5" Ø
H-RED-6.33x6	6.33" Ø	6" Ø
H-RED-8x5	8" Ø	5" Ø
H-RED-8x5	8" Ø	5" Ø



14-11

CUSTOMER: \_\_\_\_\_  
 CUSTOMER P.O.: \_\_\_\_\_  
 PROJECT: \_\_\_\_\_  
 ENGINEER: \_\_\_\_\_  
 SALES REP.: \_\_\_\_\_  
 IDENTIFICATION / TAGGING: \_\_\_\_\_

[www.lev-co.com](http://www.lev-co.com) • 1.888.862.5356



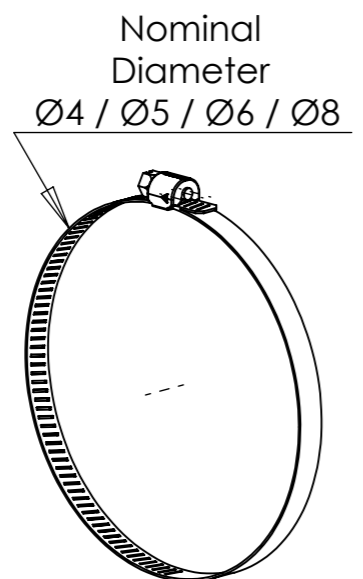
The device depicted and described hereon embodies proprietary information owned by the manufacturer. All design, manufacturing, reproduction, sales and patent rights regarding this device or drawing reserved except where explicit right is guaranteed in writing. We reserve the right to make design changes.

Drawn by: Mark F  
 Date: 12/14/2020  
 Scale: NTS  
 Weight: N/A

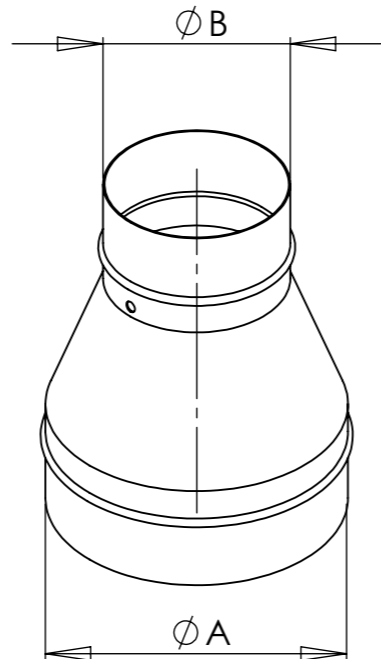
**14-11 VEHICLE EXHAUST**  
**Fittings and Accessories**  
 Specification Drawing

Drawing No.: - \_\_\_\_\_ File Name: (14-11) VE fittings and accessories  
 Material: - \_\_\_\_\_ Sheet: 2/7

- Hose Clamps**
- HCS-4 Hose Clamps 4" (100mm) Ø
  - HCS-5 Hose Clamps 5" (125mm) Ø
  - HCS-6 Hose Clamps 6" (150mm) Ø
  - HCS-7 Hose Clamps 7" (180mm) Ø
  - HCS-8 Hose Clamps 8" (200mm) Ø

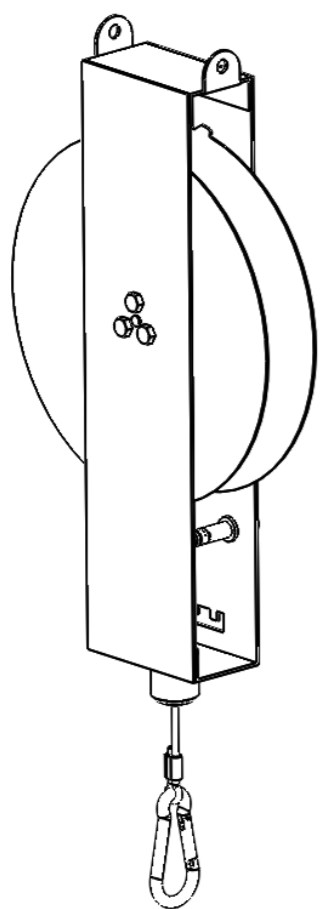


- Hose Reducers**
- H-RED-5x4 5" to 4" Hose reducer
  - H-RED-6x4 6" to 4" Hose reducer
  - H-RED-8x6 8" to 6" Hose reducer
  - H-RED-6x5 6" to 5" Hose reducer
  - H-RED-6.3x6 6.3" to 6" Hose reducer
  - H-RED-8x5 8" to 5" Hose reducer
  - H-RED-8x4 8" to 4" Hose reducer



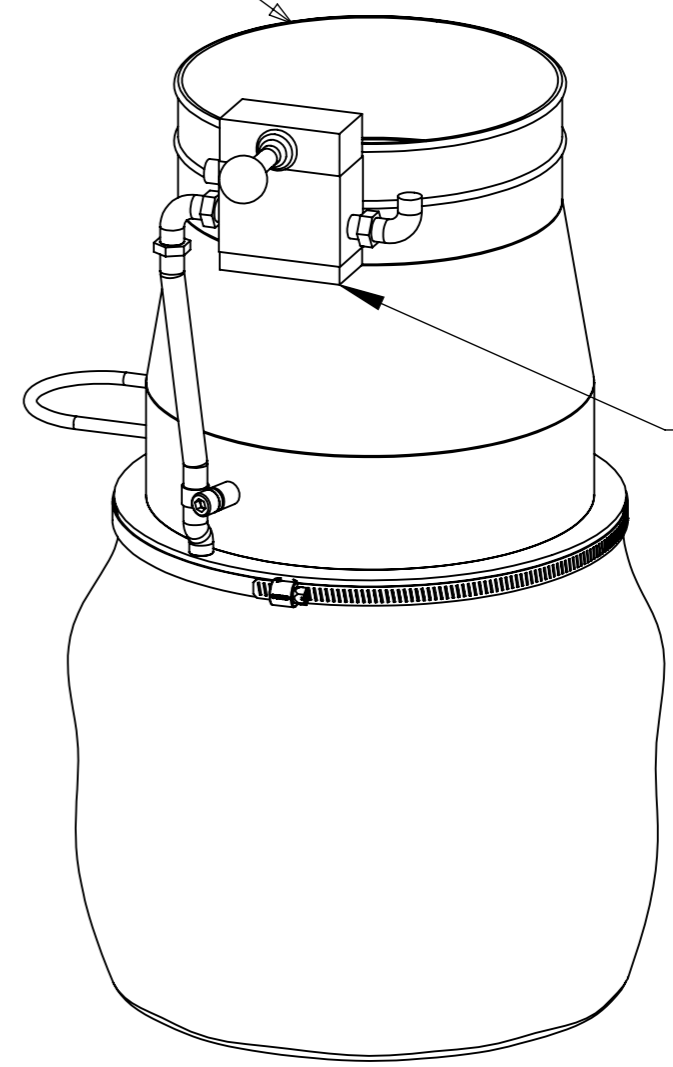
	A	B
H-RED-5x4	5" Ø	4" Ø
H-RED-6x4	6" Ø	4" Ø
H-RED-8x6	8" Ø	6" Ø
H-RED-6x5	6" Ø	5" Ø
H-RED-6.33x6	6.33" Ø	6" Ø
H-RED-8x5	8" Ø	5" Ø
H-RED-8x5	8" Ø	5" Ø

- Balancer**
- BG-K-150 Balancer for Vehicle Exhaust. Heavy-duty, long-life spring for lasting performance. With ratchet lock mechanism. Cable travel 23 ft. (7 m). Capacity 10-44 lbs (4-20 kg).



- Grabber Nozzle**
- GN-6 Pneumatic Grabber Nozzle c/w screen and air valve, 7" dia. opening, 6" dia.
  - GN-4 Pneumatic Grabber Nozzle c/w screen and air valve, 7" dia. opening, 4" dia.
  - GN-5 Pneumatic Grabber Nozzle c/w screen and air valve 7" dia. opening, 5" dia.
  - GN-7 Pneumatic Grabber Nozzle c/w screen and air valve, 7" dia. opening, 7" dia.

Nominal Diameter  
Ø4 / Ø5 / Ø6 / Ø7



AIR REGULATOR

**Installation Option & Accessories**

- AIR-REG-100-15 Air Regulator with Pressure gauge 3/8" OD tubing connection

CUSTOMER:  
 CUSTOMER P.O.:  
 PROJECT:  
 ENGINEER:  
 SALES REP.:  
 IDENTIFICATION / TAGGING:



The device depicted and described hereon embodies proprietary information owned by the manufacturer. All design, manufacturing, reproduction, sales and patent rights regarding this device or drawing reserved except where explicit right is guaranteed in writing. We reserve the right to make design changes.

Drawn by: Mark F  
 Date: 12/9/2020  
 Scale: NTS  
 Weight: N/A

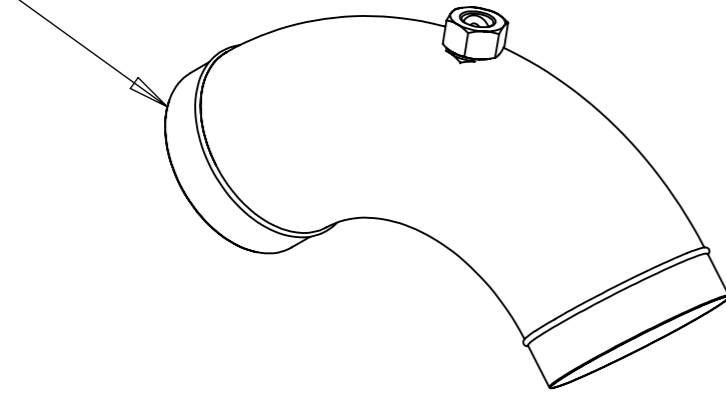
**14-11 VEHICLE EXHAUST Fittings and Accessories**  
 Specification Drawing

Drawing No.: -  
 Material: -  
 File Name: (14-11) VE fittings and accessories  
 Sheet: 3/7

**Saddles**

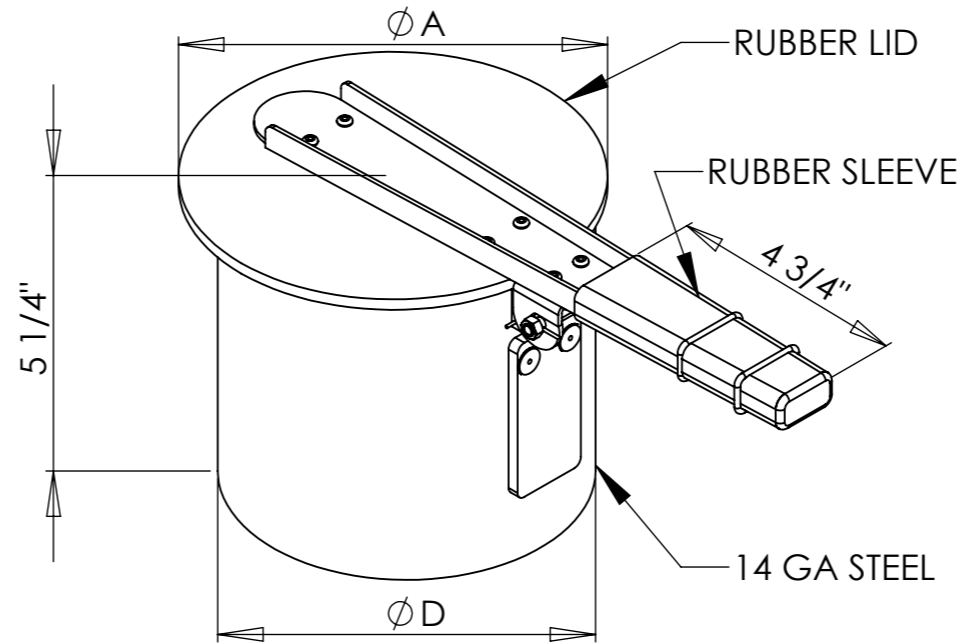
- VE-SAD-4 4" dia.-90 Degree Hose Connection Saddle for vehicle Exhaust hose drops
- VE-SAD-5 5" dia.-90 Degree Hose Connection Saddle for vehicle Exhaust hose drops
- VE-SAD-6 6" dia.-90 Degree Hose Connection Saddle for vehicle Exhaust hose drops
- VE-SAD-8 8" dia.-90 Degree Hose Connection Saddle for vehicle Exhaust hose drops
- VE-SAD-7 7" dia.-90 Degree Hose Connection Saddle for vehicle Exhaust hose drops

Nominal Diameter  
Ø4 / Ø5 / Ø6 / Ø7 / Ø8



**Steel Tailpipe Adapters with Rubber Lid**

- P-220 4" Manual steel tailpipe adapter with rubber lid
- P-221 5" Manual steel tailpipe adapter with rubber lid
- P-222 6" Manual steel tailpipe adapter with rubber lid
- P-223 8" Manual steel tailpipe adapter with rubber lid



Part#	D	A
P-220	4"Ø	5"Ø
P-221	5"Ø	6"Ø
P-222	6"Ø	7"Ø
P-223	8"Ø	9"Ø

**Blast Gates**

- IN-BG-4 4" dia Flanged Cut Off (Full)
- IN-BG-5 5" dia Flanged Cut Off (Full)
- IN-BG-6 6" dia Flanged Cut Off (Full)
- IN-BG-7 7" dia Flanged Cut Off (Full)
- IN-BG-8 8" dia Flanged Cut Off (Full)
- IN-BG-9 9" dia Flanged Cut Off (Full)
- IN-BG-10 10" dia Flanged Cut Off (Full)
- IN-BG-11 11" dia Flanged Cut Off (Full)
- IN-BG-12 12" dia Flanged Cut Off (Full)
- IN-BG-14 14" dia Flanged Cut Off (Full)
- IN-BG-15 15" dia Flanged Cut Off (Full)
- IN-BG-16 16" dia Flanged Cut Off (Full)
- IN-BG-18 18" dia Flanged Cut Off (Full)
- IN-BG-20 20" dia Flanged Cut Off (Full)
- IN-BG-22 22" dia Flanged Cut Off (Full)
- Special 03 3" dia Automatic Aluminum Flanged Cutt-Off
- Special 04 4" dia Automatic Aluminum Flanged Cutt-Off
- Special 05 5" dia Automatic Aluminum Flanged Cutt-Off
- Special 06 6" dia Automatic Aluminum Flanged Cutt-Off
- Special 07 7" dia Automatic Aluminum Flanged Cutt-Off
- Special 08 8" dia Automatic Aluminum Flanged Cutt-Off
- Special 09 9" dia Automatic Aluminum Flanged Cutt-Off
- Special 10 10" dia Automatic Aluminum Flanged Cutt-Off
- Special 11 11" dia Automatic Aluminum Flanged Cutt-Off
- Special 12 12" dia Automatic Aluminum Flanged Cutt-Off
- Special 13 13" dia Automatic Aluminum Flanged Cutt-Off
- Special 14 14" dia Automatic Aluminum Flanged Cutt-Off
- Special 15 15" dia Automatic Aluminum Flanged Cutt-Off
- Special 16 16" dia Automatic Aluminum Flanged Cutt-Off
- Special 17 17" dia Automatic Aluminum Flanged Cutt-Off
- Special 18 18" dia Automatic Aluminum Flanged Cutt-Off
- Special 19 19" dia Automatic Aluminum Flanged Cutt-Off
- Special 20 20" dia Automatic Aluminum Flanged Cutt-Off
- Special 22 22" dia Automatic Aluminum Flanged Cutt-Off
- Special 24 24" dia Automatic Aluminum Flanged Cutt-Off

**Bridge Clamps**

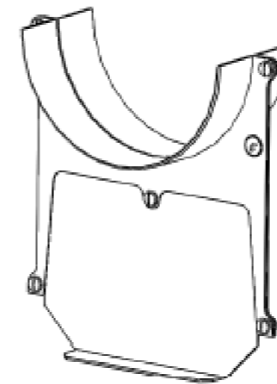
- |                                         |                                                    |                   |
|-----------------------------------------|----------------------------------------------------|-------------------|
| <input type="checkbox"/> MD-530-075-100 | 3" Ø Bridge Clamp. Clamping range of 70mm-90mm     | 3 inch diameter   |
| <input type="checkbox"/> MD-530-100-100 | 4" Ø Bridge Clamp. Clamping range of 100mm-120mm   | 4 inch diameter   |
| <input type="checkbox"/> MD-530-125-100 | 5" Ø Bridge Clamp. Clamping range of 120mm-140mm   | 5 inch diameter   |
| <input type="checkbox"/> MD-530-150-100 | 6" Ø Bridge Clamp. Clamping range of 150mm-170mm   | 6 inch diameter   |
| <input type="checkbox"/> MD-530-160-100 | 6.4" Ø Bridge Clamp. Clamping range of 160mm-180mm | 6.4 inch diameter |
| <input type="checkbox"/> MD-530-200-100 | 8" Ø Bridge Clamp. Clamping range of 200mm-220mm   | 8 inch diameter   |
| <input type="checkbox"/> MD-530-250-100 | 10" Ø Bridge Clamp. Clamping range of 250mm-270mm  | 10 inch diameter  |
| <input type="checkbox"/> MD-530-300-100 | 12" Ø Bridge Clamp. Clamping range of 300mm-320mm  | 12 inch diameter  |
| <input type="checkbox"/> MD-530-350-100 | 14" Ø Bridge Clamp. Clamping range of 350mm-370mm  | 14 inch diameter  |
| <input type="checkbox"/> MD-530-400-100 | 16" Ø Bridge Clamp. Clamping range of 400mm-420mm  | 16 inch diameter  |



Full Blast Gate



Cut-Off Blast Gate



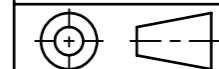
CUSTOMER:  
CUSTOMER P.O.:  
PROJECT:  
ENGINEER:  
SALES REP.:  
IDENTIFICATION / TAGGING:

> [www.lev-co.com](http://www.lev-co.com) • 1.888.862.5356



The device depicted and described hereon embodies proprietary information owned by the manufacturer. All design, manufacturing, reproduction, sales and patent rights regarding this device or drawing reserved except where explicit right is guaranteed in writing. We reserve the right to make design changes.

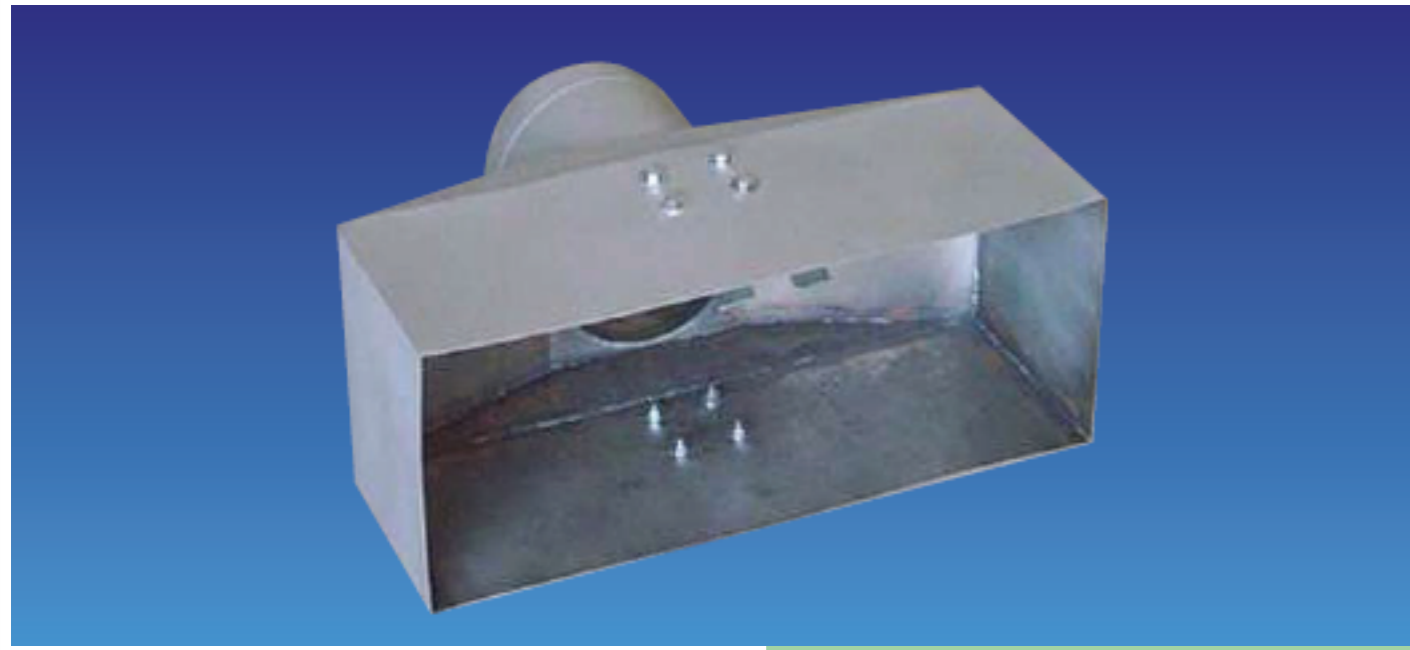
Drawn by: Mark F  
Date: 12/9/2020  
Scale: NTS  
Weight: N/A



**14-11 VEHICLE EXHAUST Fittings and Accessories**  
Specification Drawing

Drawing No.: -  
Material: -  
File Name: (14-11) VE fittings and accessories  
Sheet: 4/7

☐ \_\_\_\_\_ MDB 97-85-6"-5.5 lbs



## MDB-BUS EXHAUST NOZZLES

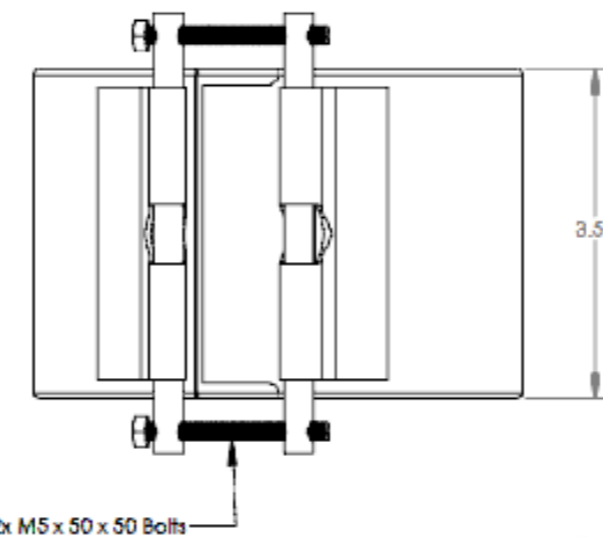
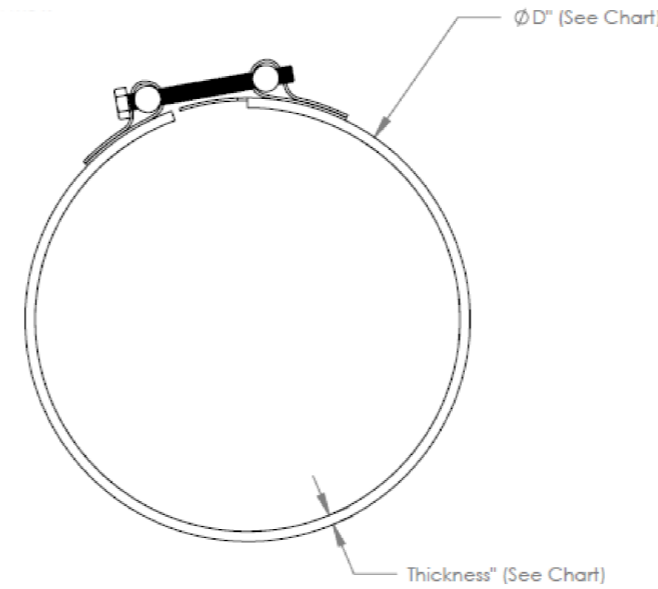
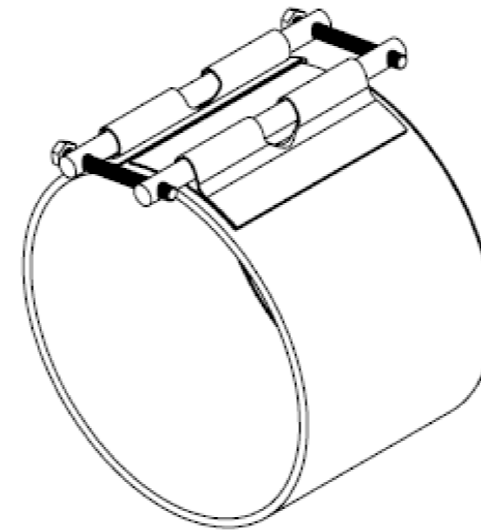
### General Description

The Masterduct MDB-Series Bus Exhaust Nozzle will be supplied by Masterduct and is used to connect to the new EPA vertical bus exhaust stack. The MDB Bus Nozzle is available in 6" dia and 8" dia hose connection and is equipped with a detachable telescopic pole that can adjust from 5 - 10 ft. The nozzle comes with spring loaded adjustable clamps that will connect onto the bus exhaust stack. It is constructed of 20 gauge steel, fully welded and has a Hi temperature coated finish up to 1200F.



Masterduct MDB-Series Bus Exhaust Nozzle with detachable telescopic pole

### Quick Sleeve DBL



Quantity	Temperature Rating	item #	Description
	150 F	LABQS4GA	4" Double-Bolt Quick-Sleeve
	150 F	LABQS5GA	5" Double-Bolt Quick-Sleeve
	150 F	LABQS6GA	6" Double-Bolt Quick-Sleeve
	150 F	LABQS7GA	7" Double-Bolt Quick-Sleeve
	150 F	LABQS8GA	8" Double-Bolt Quick-Sleeve
	150 F	LABQS9GA	9" Double-Bolt Quick-Sleeve
	150 F	LABQS10GA	10" Double-Bolt Quick-Sleeve
	150 F	LABQS11GA	11" Double-Bolt Quick-Sleeve
	150 F	LABQS12GA	12" Double-Bolt Quick-Sleeve
	150 F	LABQS13GA	13" Double-Bolt Quick-Sleeve
	150 F	LABQS14GA	14" Double-Bolt Quick-Sleeve
	150 F	LABQS15GA	15" Double-Bolt Quick-Sleeve
	150 F	LABQS16GA	16" Double-Bolt Quick-Sleeve
	150 F	LABQS17GA	17" Double-Bolt Quick-Sleeve
	150 F	LABQS18GA	18" Double-Bolt Quick-Sleeve
	650+ F	LABQS4GA	4" Double-Bolt Quick-Sleeve
	650+ F	LABQS5GA	5" Double-Bolt Quick-Sleeve
	650+ F	LABQS6GA	6" Double-Bolt Quick-Sleeve
	650+ F	LABQS7GA	7" Double-Bolt Quick-Sleeve
	650+ F	LABQS8GA	8" Double-Bolt Quick-Sleeve
	650+ F	LABQS9GA	9" Double-Bolt Quick-Sleeve
	650+ F	LABQS10GA	10" Double-Bolt Quick-Sleeve
	650+ F	LABQS11GA	11" Double-Bolt Quick-Sleeve
	650+ F	LABQS12GA	12" Double-Bolt Quick-Sleeve
	650+ F	LABQS13GA	13" Double-Bolt Quick-Sleeve
	650+ F	LABQS14GA	14" Double-Bolt Quick-Sleeve
	650+ F	LABQS15GA	15" Double-Bolt Quick-Sleeve
	650+ F	LABQS16GA	16" Double-Bolt Quick-Sleeve
	650+ F	LABQS17GA	17" Double-Bolt Quick-Sleeve
	650+ F	LABQS18GA	18" Double-Bolt Quick-Sleeve

CUSTOMER:
CUSTOMER P.O.:
PROJECT:
ENGINEER:
SALES REP.:
IDENTIFICATION / TAGGING:

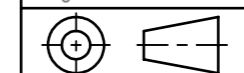
> [www.lev-co.com](http://www.lev-co.com) • 1.888.862.5356

**lev-co**

The device depicted and described hereon embodies proprietary information owned by the manufacturer. All design, manufacturing, reproduction, sales and patent rights regarding this device or drawing reserved except where explicit right is guaranteed in writing. We reserve the right to make design changes.

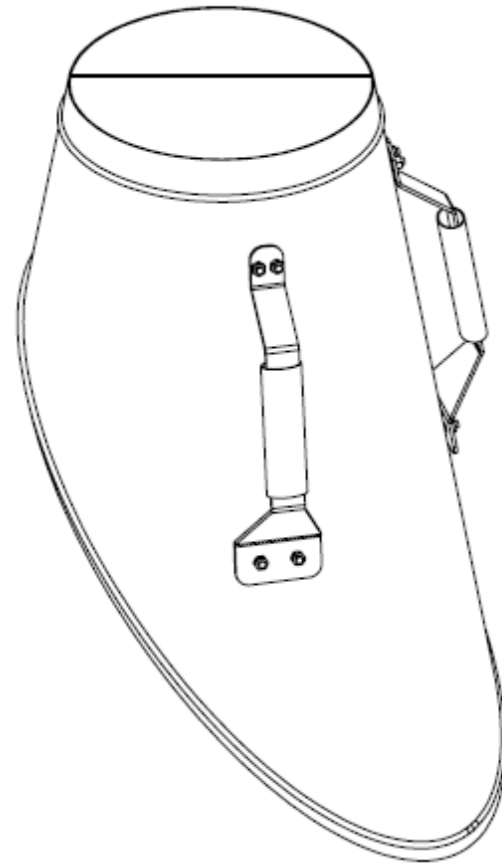
Drawn by:	Mark F
Date:	12/9/2020
Scale:	NTS
Weight:	N/A

**14-11 VEHICLE EXHAUST Fittings and Accessories**  
Specification Drawing



Drawing No.:	-	File Name: (14-11) VE fittings and accessories
Material:	-	Sheet: 5/7

**A**



PART NUMBER	A
HOOD-45-6	6" Ø
HOOD-45-8	8" Ø
HOOD-45-10	10" Ø
HOOD-45-12	12" Ø
HOOD-45-14	14" Ø

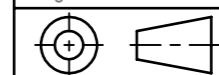
CUSTOMER:  
 CUSTOMER P.O.:  
 PROJECT:  
 ENGINEER:  
 SALES REP.:  
 IDENTIFICATION / TAGGING:

> [www.lev-co.com](http://www.lev-co.com) • 1.888.862.5356

**lev-co**

The device depicted and described hereon embodies proprietary information owned by the manufacturer. All design, manufacturing, reproduction, sales and patent rights regarding this device or drawing reserved except where explicit right is guaranteed in writing. We reserve the right to make design changes.

Drawn by: Mark F  
 Date: 12/9/2020  
 Scale: NTS  
 Weight: N/A



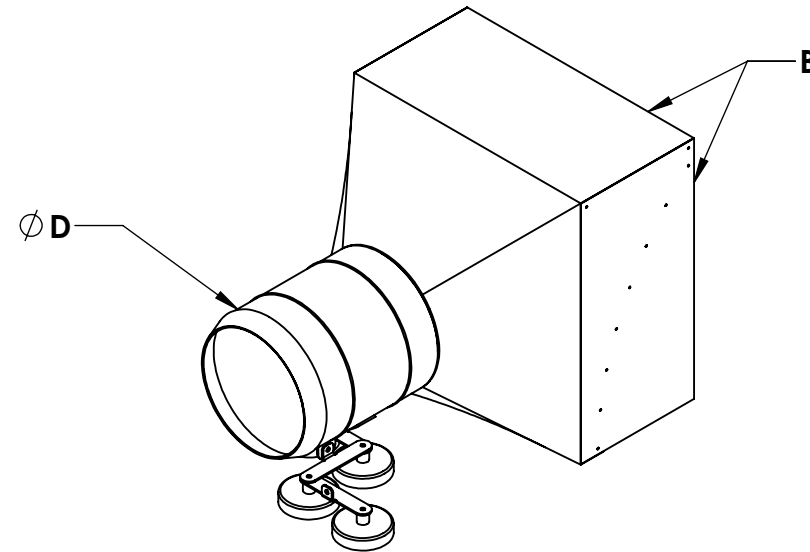
**14-11 VEHICLE EXHAUST  
 Fittings and Accessories  
 Specification Drawing**

Drawing No.: -  
 Material: -  
 File Name: (14-11) VE fittings and accessories  
 Sheet: 6/7

**Air Gouging Hood with magnetic base**

- \_\_\_ G-HOOD-MAG-8 Quick connect hood with magnetic base. Suitable for use with 8"  $\phi$  hose
- \_\_\_ G-HOOD-MAG-10 Quick connect hood with magnetic base. Suitable for use with 10"  $\phi$  hose
- \_\_\_ G-HOOD-MAG-12 Quick connect hood with magnetic base. Suitable for use with 12"  $\phi$  hose

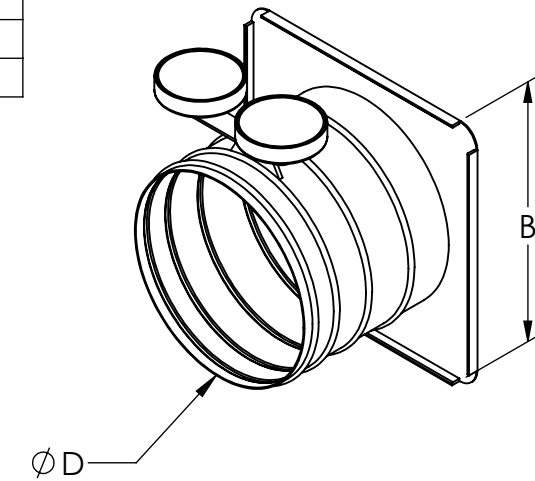
Part #	D (inches)	B (inches)
G-HOOD-MAG-8	8	16
G-HOOD-MAG-10	10	20
G-HOOD-MAG-12	12	24



**Magnetic Hood with damper and 2 magnets**

- \_\_\_ OM-071-MK-8 Magnetic hood with 8"  $\phi$
- \_\_\_ OM-071-MK-10 Magnetic hood with 10"  $\phi$
- \_\_\_ OM-071-MK-12 Magnetic hood with 12"  $\phi$

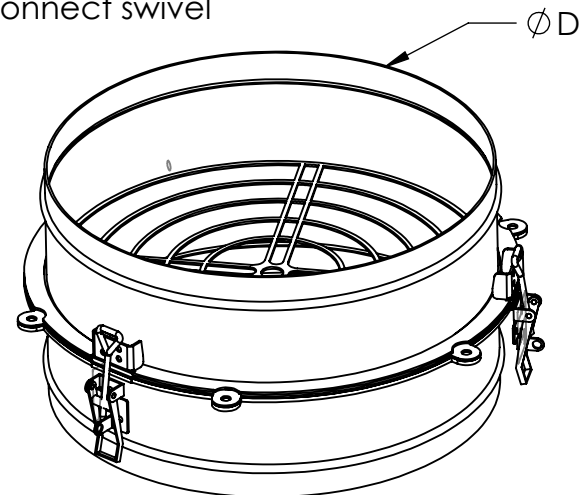
Part #	D (inches)	B (inches)
OM-071-MK-8	8	10.6
OM-071-MK-10	10	13.25
OM-071-MK-12	12	15.9



**Quick Connect Swivel**

- \_\_\_ QHC-6-SWIVEL 6"  $\phi$  quick connect swivel
- \_\_\_ QHC-8-SWIVEL 8"  $\phi$  quick connect swivel
- \_\_\_ QHC-10-SWIVEL 10"  $\phi$  quick connect swivel
- \_\_\_ QHC-12-SWIVEL 12"  $\phi$  quick connect swivel
- \_\_\_ QHC-14-SWIVEL 14"  $\phi$  quick connect swivel

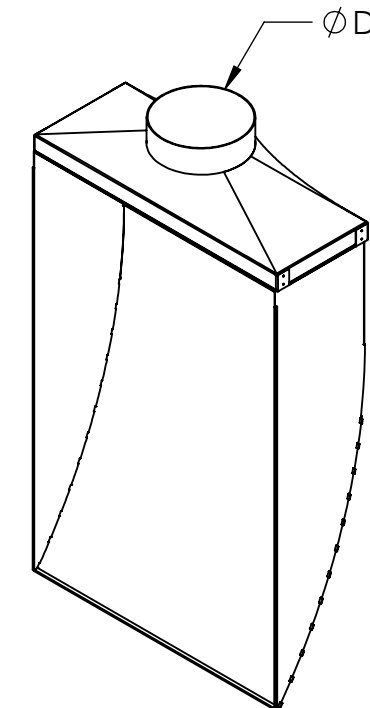
Part #	D (inches)
6-QC-BS-SW	6" $\phi$
8-QC-BS-SW	8" $\phi$
10-QC-BS-SW	10" $\phi$
12-QC-BS-SW	12" $\phi$
14-QC-BS-SW	14" $\phi$



**Air Gouging Hood**

- \_\_\_ AG-Hood-8 8"  $\phi$  gouging hood
- \_\_\_ AG-Hood-10 10"  $\phi$  gouging hood
- \_\_\_ AG-Hood-12 12"  $\phi$  gouging hood

Part #	D (inches)
AG-Hood-8	8
AG-Hood-10	10
AG-Hood-12	12



CUSTOMER:  
 CUSTOMER PO:  
 PROJECT:  
 ENGINEER:  
 SALES REP:  
 TAGGING:



**COLOUR LEGEND**

COLOUR	MEANING
Red	Part number
Blue	Part description
Green	Installation by others
Orange	Optional product in assembly

The device depicted and described hereon embodies proprietary information owned by the manufacturer. All Design, manufacturing, reproduction, sales and patent rights regarding this device or drawing reserved except where explicit right is guaranteed in writing. We reserve the right to make design changes.

Drawn By: Kyle Weir  
 Date: 6/5/2024  
 Scale: NTS  
 Copyright © 2022 by Lev-Co, The Local Exhaust & Ventilation Company Inc. All rights reserved. No part of this product may be reproduced or used in any manner without written permission of the copyright owner.

**14-11 VEHICLE EXHAUST Fittings and Accessories**  
**SPECIFICATION DRAWING**  
 Drawing No: . Sheet: 7 / 7  
 File Name: (14-11) VE fittings and accessories