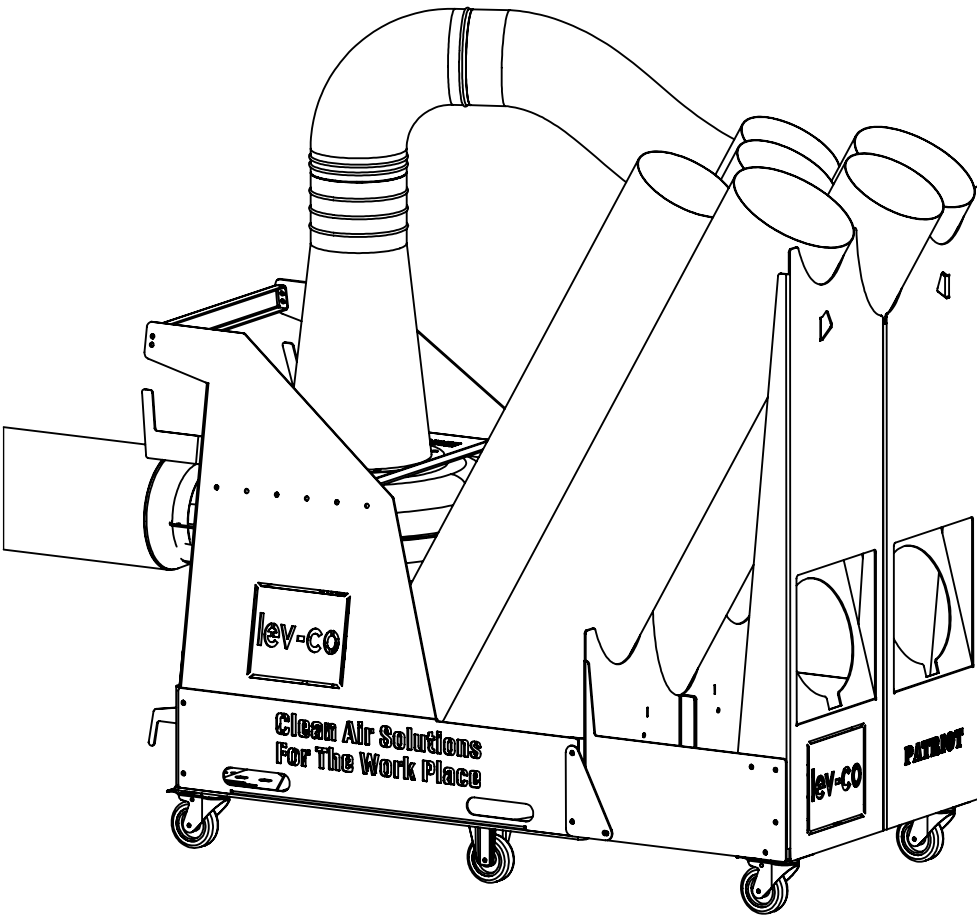


(14-054) PATRIOT - Heavy Duty Portable Vehicle Exhaust for Diesel trucks & Heavy Equipment

The purpose of the Patriot is to capture 99%+ of all airborne emissions at-Source before the emissions reach the operators breathing zone.

The Patriot is a heavy-duty portable LEV system that consists of the following components and features:

- Portable & Easy to position - 6 Heavy-duty casters (2 straight, 4 swivel)
- "All-in-one" design – "on-cart" storage for all hoses, hoods, etc.
- Plug & Go design with many voltage options
- Quick setup - Tool-less "quick-connect" hoses and accessories
- Adjustable velocity from 700 to 7000 FPM (12.8 to 128 KM/H)
- Energy Efficient – eliminates peak electrical charges and wasted heat
- Environmentally friendly VFD control – exhaust only the flow required
- Ultra-quiet mode – control the VFD to the noise level and frequency
- Hose storage tubes – Ensure the hoses will last
- Many hose options available (EG: Chemical, ESD, Abrasion, Hi-temp>2000 C)
- Spark Proof design and construction – Optional: Haz Loc up to Div. Class 1
- Variety of capture and receiving hoods available
- Multipurpose design – suitable for the following applications
 - o Welding
 - o Arc Air Gouging
 - o Flame cutting
 - o Diesel exhaust
 - o V.O.C.'s
 - o Explosive Gases
 - o Etc.
- Single person deployment
- All steel heavy duty construction - 3/14/16 ga.
- Under garage door or through door/wall exhaust
- Transports well to and from jobsites
- Suitable for use outdoors –
 - o IP66 controls
 - o Chassis fabricated from combination satin coat steel, powder-coated for addition protection and appeal



PATRIOT-HT-50'IN-66'EX Portable Vehicle Exhaust system with 50' 8" dia. inlet hose and 66' 10" diameter exhaust hose. MOTOR/FAN and VFD not included but selected as options. Please select voltage package within the "OPTIONS" section System comes complete with:
 Motor Starter and Overload protection
 CSA approved AS PER CANADIAN LAW; this unit is approved by CSA field evaluation prior to shipping in order to meet Canadian Laws and for your additional safety

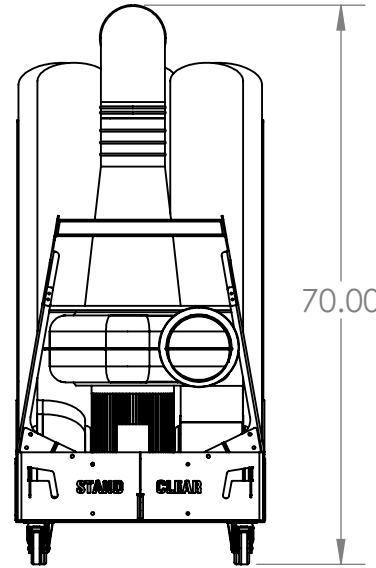
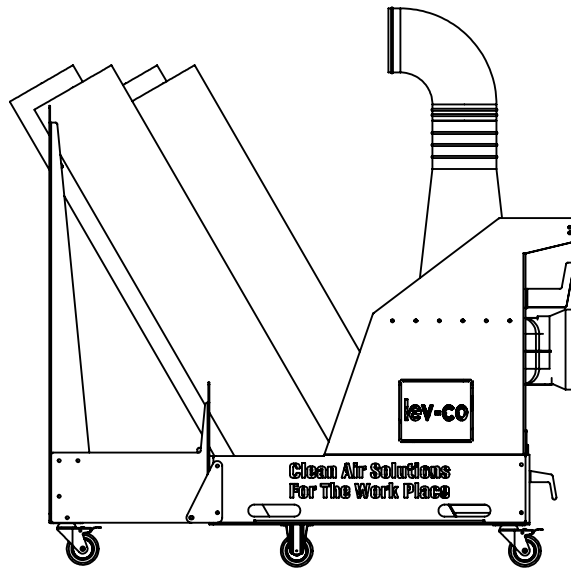
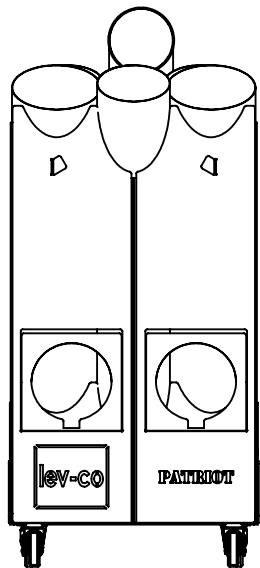
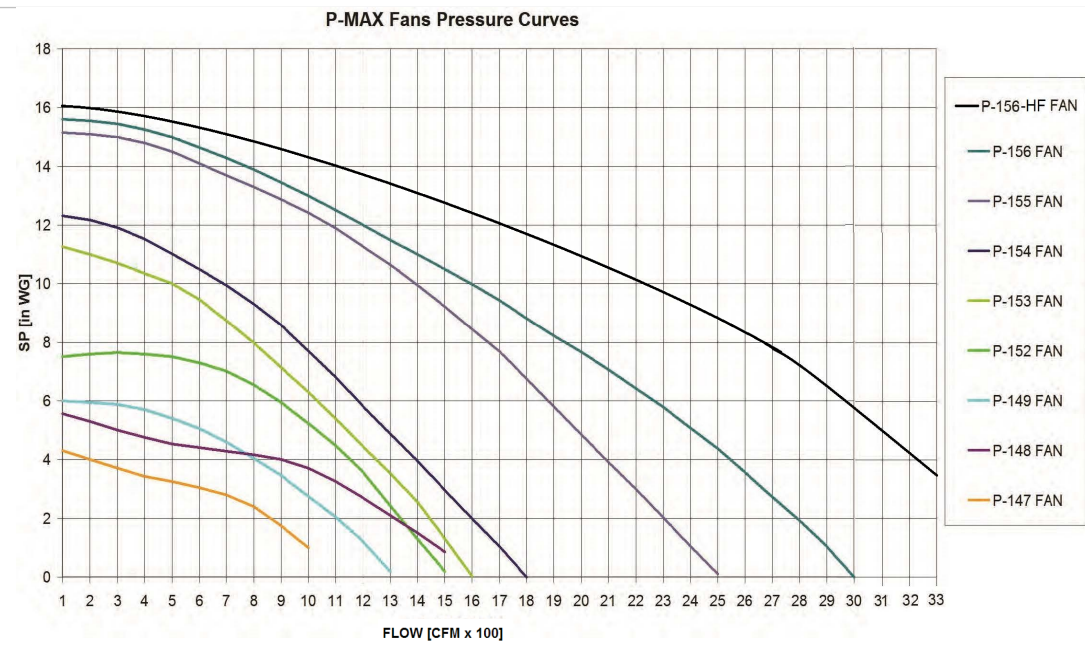
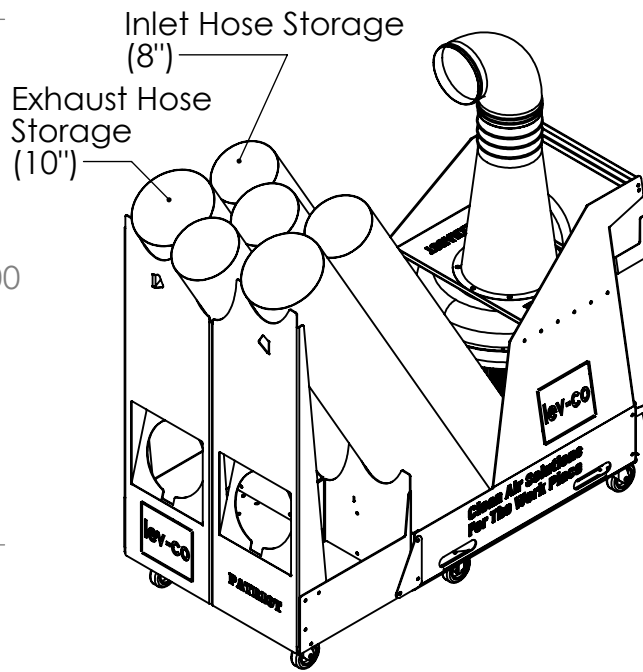
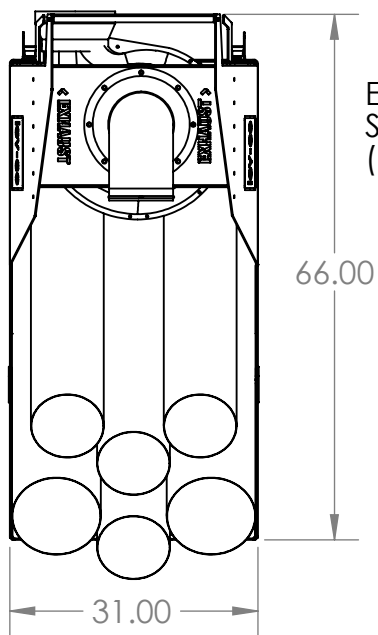
CUSTOMER:
 CUSTOMER PO:
 PROJECT:
 ENGINEER:
 SALES REP:
 TAGGING:



The device depicted and described hereon embodies proprietary information owned by the manufacturer. All Design, manufacturing, reproduction, sales and patent rights regarding this device or drawing reserved except where explicit right is guaranteed in writing. We reserve the right to make design changes.

Drawn By: Dean
 Date: 08/25/20
 Scale: NTS
 Weight: N/A

PATRIOT OM
OWNERS MANUAL
 Drawing No: Sheet:1
 File Name:



CUSTOMER:
 CUSTOMER PO:
 PROJECT:
 ENGINEER:
 SALES REP:
 TAGGING:



The device depicted and described hereon embodies proprietary information owned by the manufacturer. All Design, manufacturing, reproduction, sales and patent rights regarding this device or drawing reserved except where explicit right is guaranteed in writing. We reserve the right to make design changes.

Drawn By: Dean
 Date: 08/25/20
 Scale: NTS
 Weight: N/A

PATRIOT OM
 OWNERS MANUAL
 Drawing No: Sheet:2
 File Name:

Fan / Motor Upgrades or Options (when ordering main unit)

Part No:	Description:
<input type="checkbox"/> ___ PATRIOT-ELEC-10-1	Fan and electrical option for PATRIOT. 10HP @ 220V/3/60. Includes; <ul style="list-style-type: none"> • 10HP fan @ 220V • VFD rated for 10HP @ 220V • 60A Fuse Box (complete) • Twist lock weld plug rated for 220V • 50ft of cabtire • Low voltage HI/LOW/OFF switch • 60A mounting plate for VFD/fuse box • Pre-assembly of all electrical components wired and installed onto mounting plate
<input type="checkbox"/> ___ PATRIOT-ELEC-10-2	Fan and electrical option for PATRIOT. 10HP @ 480V/3/60. Includes; <ul style="list-style-type: none"> • 10HP fan @ 480V • VFD rated for 10HP @ 480V • 30A Fuse Box (complete) • Twist lock weld plug rated for 480V • 50ft of cabtire • Low voltage HI/LOW/OFF switch • 30A mounting plate for VFD/fuse box • Pre-assembly of all electrical components wired and installed onto
<input type="checkbox"/> ___ PATRIOT-ELEC-10-3	Fan and electrical option for PATRIOT. 10HP @ 575V/3/60. Includes; <ul style="list-style-type: none"> • 10HP fan @ 575V • VFD rated for 10HP @ 575V • 30A Fuse Box (complete) • Twist lock weld plug rated for 575V • 50ft of cabtire • Low voltage HI/LOW/OFF switch • 30A mounting plate for VFD/fuse box • Pre-assembly of all electrical components wired and installed onto
<input type="checkbox"/> ___ PATRIOT-ELEC-7.5-1	Fan and electrical option for PATRIOT. 7.5HP @ 220V/3/60. Includes; <ul style="list-style-type: none"> • 7.5HP fan @ 220V • VFD rated for 7.5HP @ 220V • 60A Fuse Box (complete) • Twist lock weld plug rated for 220V • 50ft of cabtire • Low voltage HI/LOW/OFF switch • 60A mounting plate for VFD/fuse box • Pre-assembly of all electrical components wired and installed onto mounting plate
<input type="checkbox"/> ___ PATRIOT-ELEC-7.5-2	Fan and electrical option for PATRIOT. 7.5HP @ 480V/3/60. Includes; <ul style="list-style-type: none"> • 7.5HP fan @ 480V • VFD rated for 7.5HP @ 480V • 30A Fuse Box (complete) • Twist lock weld plug rated for 480V • 50ft of cabtire • Low voltage HI/LOW/OFF switch • 30A mounting plate for VFD/fuse box • Pre-assembly of all electrical components wired and installed onto mounting plate

<input type="checkbox"/> ___ PATRIOT-ELEC-7.5-3	Fan and electrical option for PATRIOT. 7.5HP @ 575V/3/60. Includes; <ul style="list-style-type: none"> • 7.5HP fan @ 575V • VFD rated for 7.5HP @ 575V • 30A Fuse Box (complete) • Twist lock weld plug rated for 575V • 50ft of cabtire • Low voltage HI/LOW/OFF switch • 30A mounting plate for VFD/fuse box • Pre-assembly of all electrical components wired and installed onto mounting plate
---	--

Hood Options (when ordering main unit)

Part No:	Description:
<input type="checkbox"/> ___ G-HOOD-MAG-8	Quick Connect gouging hood with magnetic base. C/W carry handle, suitable for use with 8" diameter hose. Bungee cord to quick connect to 8" dia flexi-hood. Equipped with 4 magnets with individual swivels. With 10' of low temp hose. Magnetic Hood-200mm (8)Ø. Two 40-lb magnets affixed to hood. Magnets can pivot to allow for a high range of motion whilst positioning the hood.
<input type="checkbox"/> ___ OM-071-MK-C	

Variable Frequency Drives

Part No:	Description:
<input type="checkbox"/> ___ VFD-KIT-1HP-115-230-3	1HP 120-240V Hybrid VFD 1 Phase In, 230V 3 Phase Output 60Hz complete with; <ul style="list-style-type: none"> • VFD NEMA 4 • 1 HP Motor • Wiring • Labor • Re-certification • PLEASE NOTE: this kit is only required when upgrading a 120V system with a VFD
<input type="checkbox"/> ___ VFD-KIT-2HP-115-230-3	2HP 120-240V Hybrid VFD 1 Phase In, 230V 3 Phase Output 60Hz complete with; <ul style="list-style-type: none"> • VFD NEMA 4 • 2 HP Motor • Wiring • Labor • Re-certification • PLEASE NOTE: this kit is only required when upgrading a 120 or 220/1/60 V system with a VFD
<input type="checkbox"/> ___ VFD-KIT-3HP-220-230-3	3HP 240V Hybrid VFD 1 Phase In, 230V 3 Phase Output 60Hz complete with; <ul style="list-style-type: none"> • VFD NEMA 4 • 3 HP Motor • Wiring • Labor • Re-certification • PLEASE NOTE: this kit is only required when upgrading a 120V system with a VFD

Fan Control Panels (when ordering main unit)

Part No:	Description:
<input type="checkbox"/> ___ CAB-12/4-PL-480-50-30A	cord and plug for up to 30 AMP 480V . 3 phase motors. includes connection to relevant disconnect and/ or starter. CSA Approved prior to shipping. 50ft of cable.
<input type="checkbox"/> ___ CAB-12/4-PL-575-50-30A	cord and plug for up to 30 AMP 575V . 3 phase motors. includes connection to relevant disconnect and/ or starter. CSA Approved prior to shipping. 50ft of cable.

Caster Options

Part No:	Description:
<input type="checkbox"/> ___ P2D2-R1-V2-PNEUMATIC WHEEL	10 in. Pneumatic Swivel Caster. Kit includes QTY 4 wheels. 330lb capacity per wheel. Includes bracket to bolt onto P2D2-R1.

Over-head Stack adapter - High Temperature Rubber

Part No:	Description:
<input type="checkbox"/> ___ RCA-8/D	10" Diesel Stack Adapter with manual damper - 8" opening for exhaust pipe

Fan, Light & Other Electrical Accessories

Part No:	Description:
<input type="checkbox"/> ___ Arkite Weld Lock Plug-60-575	Eaton Arkite 3 wire/4 pole 60a plug Part #: APJ6485 - 575V

Hazardous location certifications and accessories


Part No:	Description:
<input type="checkbox"/> ___ HAZLOC-CERT	Hazardous Location Certification for equipment use in Class 1 Division 2. To include but not limited to the following: <ul style="list-style-type: none"> • Hazardous location equipment Labeling • Approval Report • Certification Sticker

Installation Accessories

Part No:	Description:
<input type="checkbox"/> ___ GDDK-08-00-R0	Garage door - Door kit - 8"

Spare Part (Call for quantity discount)

Part No:	Description:
<input type="checkbox"/> ___ IN-DSE90-06-SHORT	6 diameter-90 degree elbow - Die Stamped-22 Gauge-short radius
<input type="checkbox"/> ___ IN-RED-LIN-10-6	10 - 6 Duct Reducers, 22 Gauge. Stamped, Short body
<input type="checkbox"/> ___ PVE-18-HAH	Portable Vehicle Exhaust Adapter Handle

CUSTOMER:		The device depicted and described hereon embodies proprietary information owned by the manufacturer. All Design, manufacturing, reproduction, sales and patent rights regarding this device or drawing reserved except where explicit right is guaranteed in writing. We reserve the right to make design changes.	Drawn By: Dean	PATRIOT OM
CUSTOMER PO:		Date: 08/25/20		
PROJECT:		Scale: NTS		
ENGINEER:		Weight: N/A	OPTIONS	
SALES REP:			Drawing No:	Sheet:
TAGGING:		File Name:		