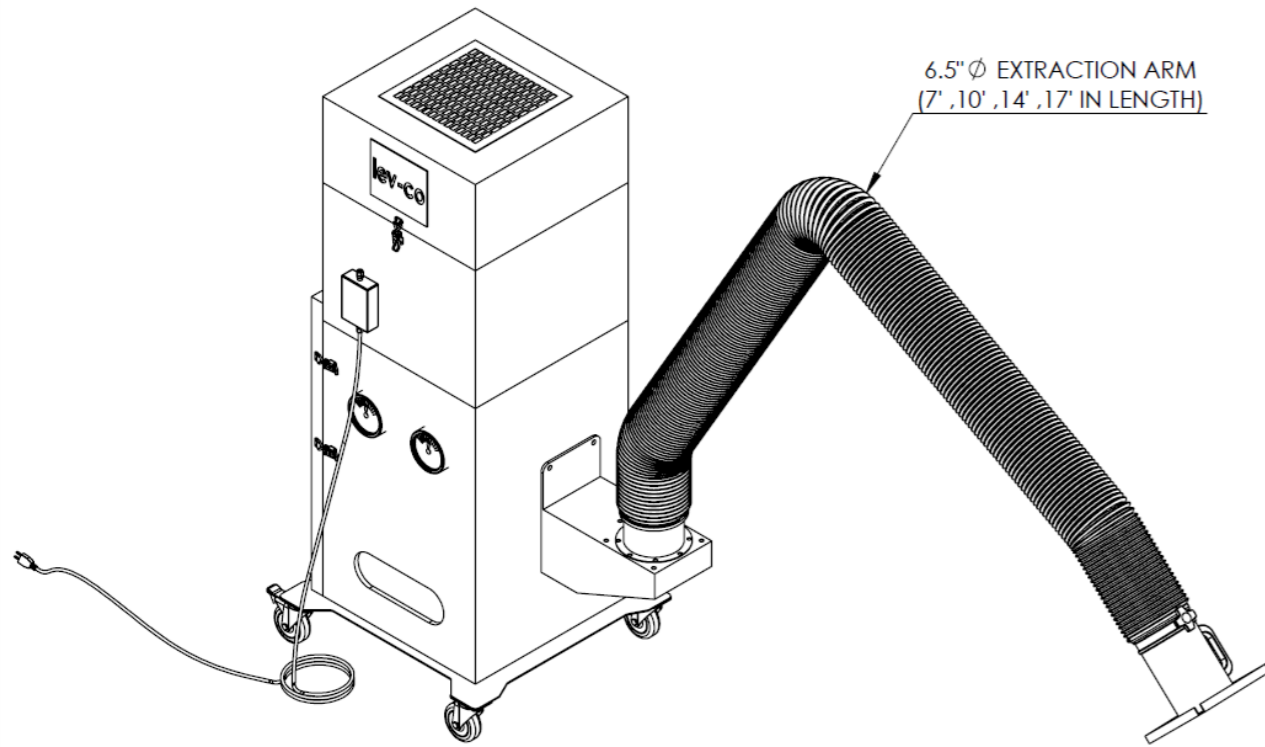
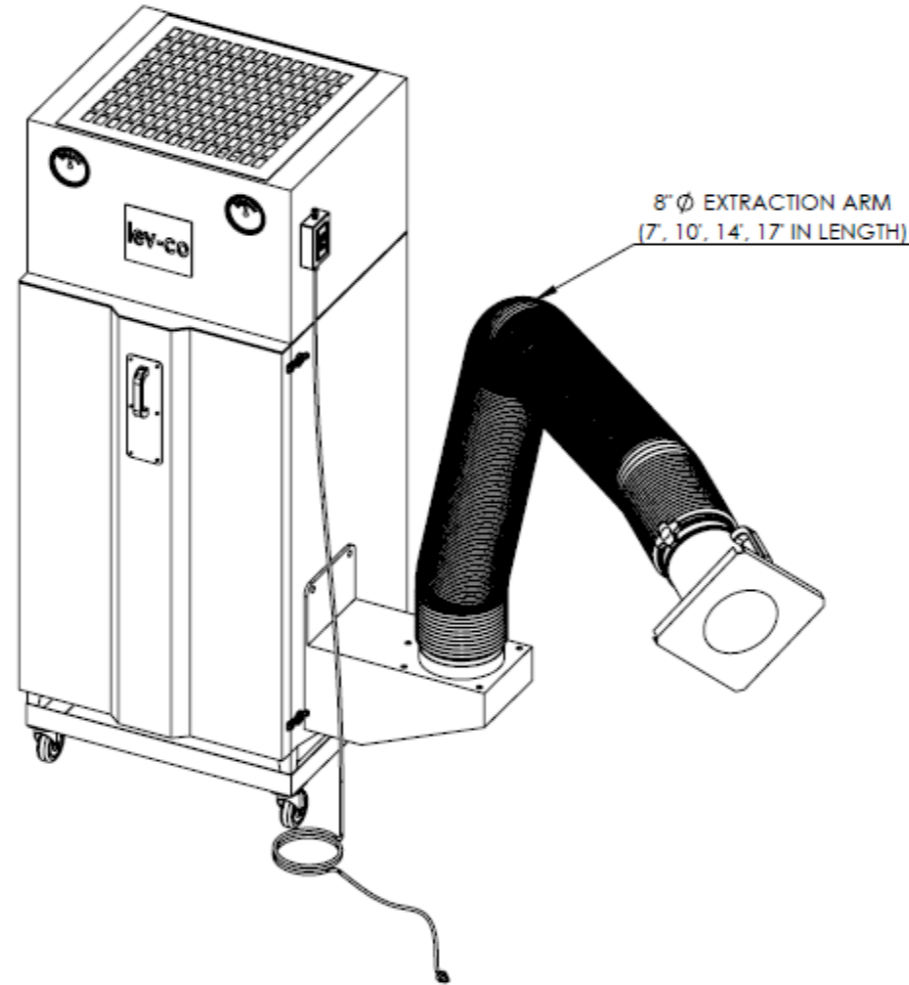


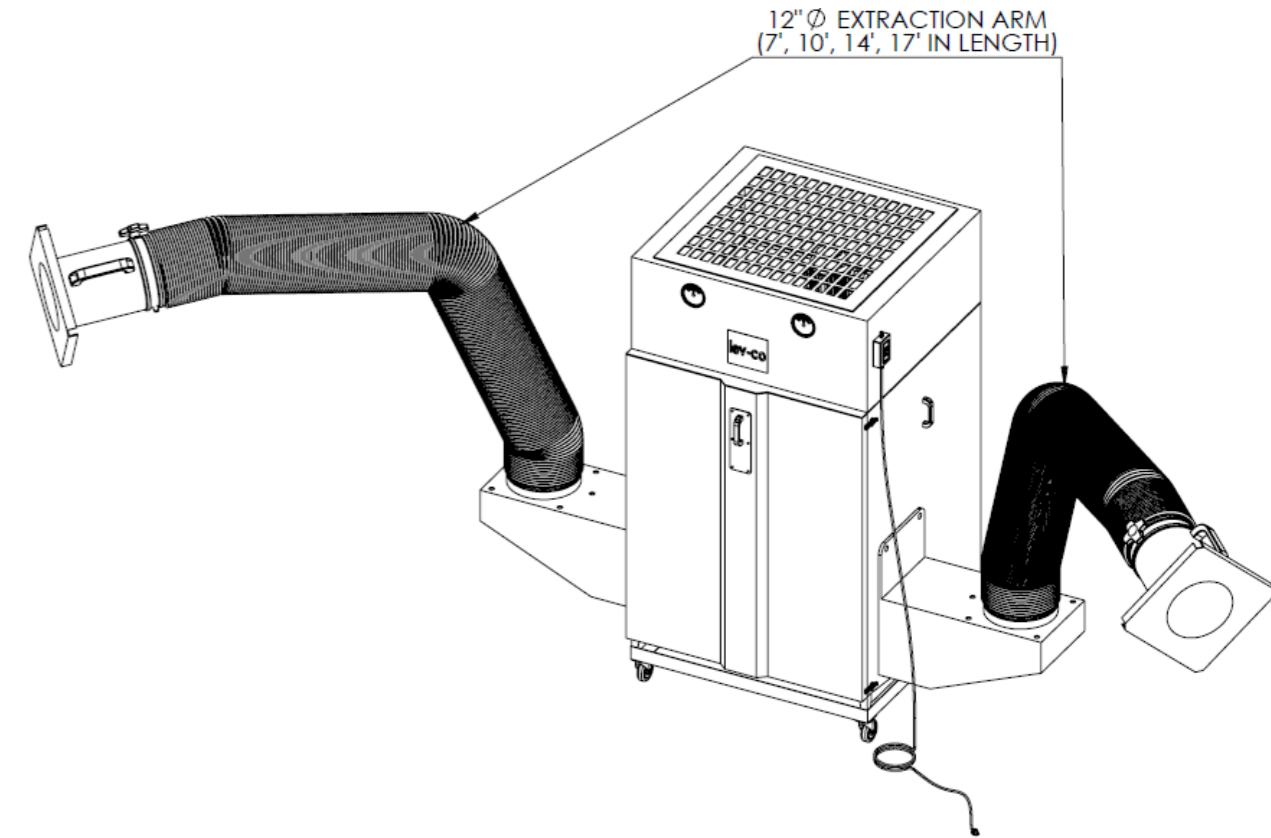
MOBI-OIL 1000



MULTI-FLEX 2000



MULTI-FLEX 4000



| |
|---------------------------|
| CUSTOMER: |
| CUSTOMER P.O.: |
| PROJECT: |
| ENGINEER: |
| SALES REP.: |
| IDENTIFICATION / TAGGING: |

www.lev-co.com • 1.888.862.5356

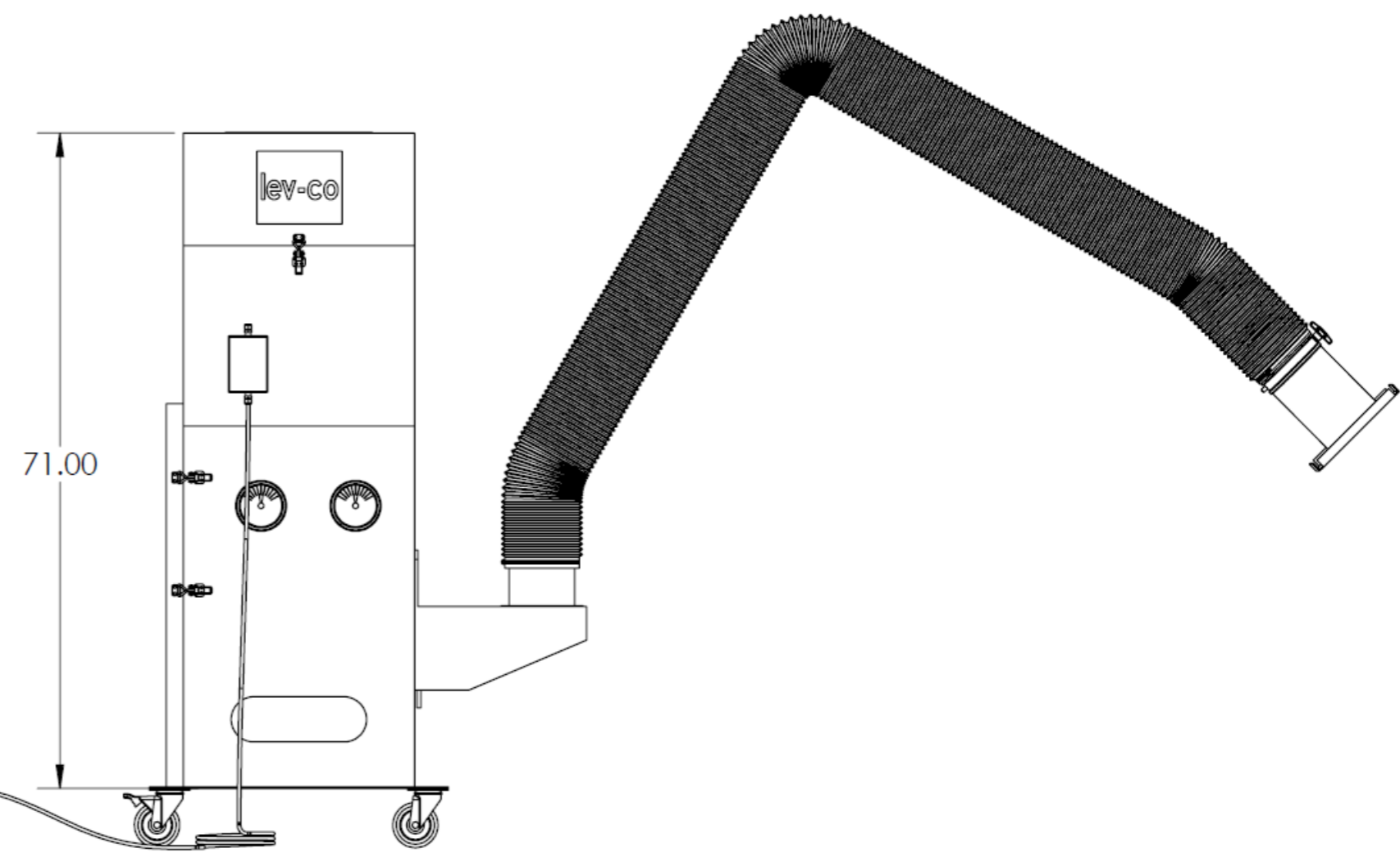
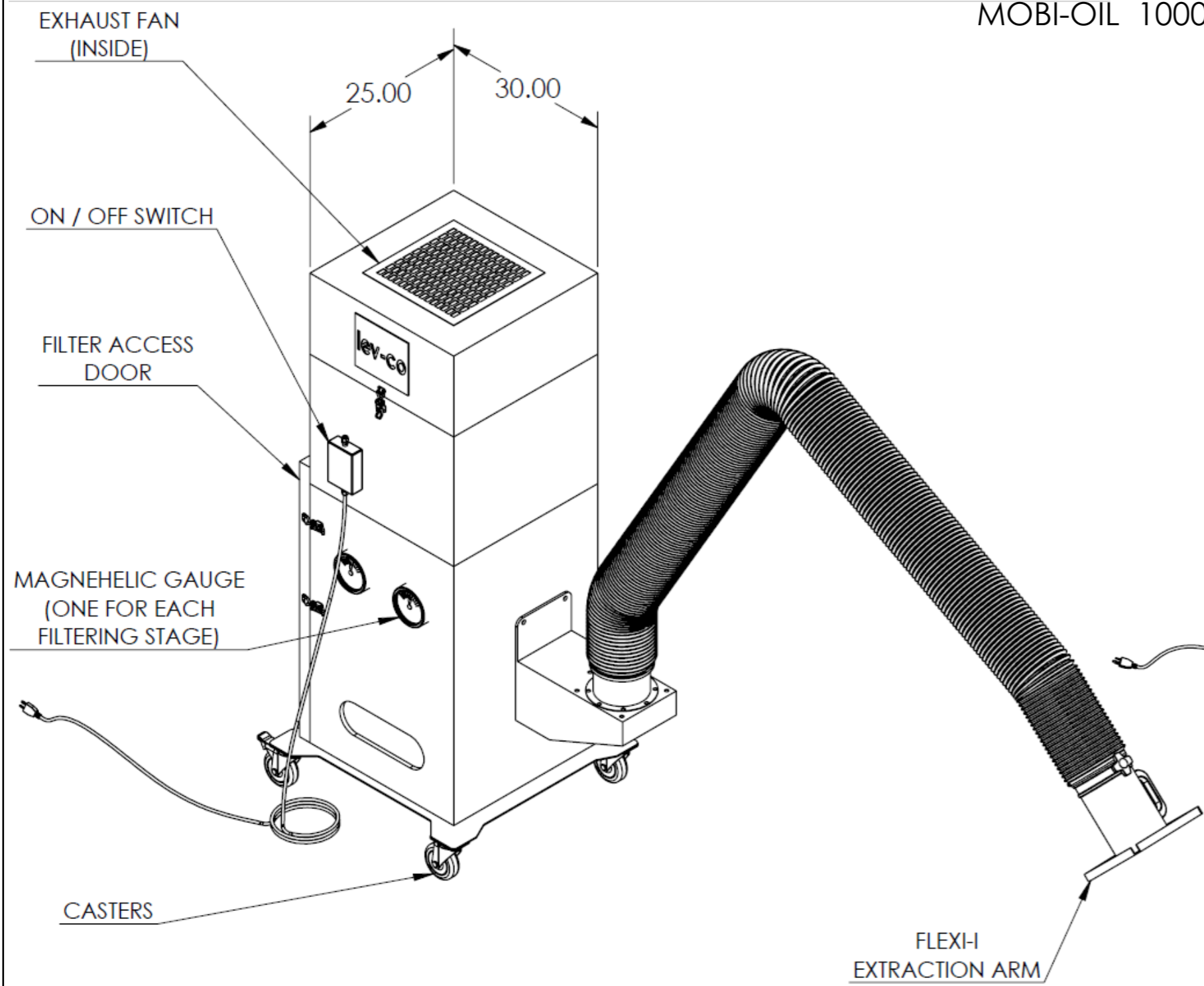


The device depicted and described hereon embodies proprietary information owned by the manufacturer. All design, manufacturing, reproduction, sales and patent rights regarding this device or drawing reserved except where explicit right is guaranteed in writing. We reserve the right to make design changes.

| | |
|-----------|------------|
| Drawn by: | Mark F |
| Date: | 11/03/2021 |
| Scale: | NTS |
| Weight: | N/A |

| | |
|---|-------------------------------------|
| MULTI-FLEX PORTABLE MIST COLLECTOR | |
| Specification Drawing | |
| Drawing No.: - | File Name: (02-065) Multi-Flex - SD |
| Material: - | Sheet: 1/5 |

MOBI-OIL 1000



SPECIFICATIONS:

- The mechanical oil mist filter has a degree of separation of 95% of oil mists and up to 99.99% @ 0.3 microns of smoke with HEPA filters. These filter boxes have a large filtration area, are washable and are made of fiberglass media with aluminum separators. (The HEPA filters are not washable)
- The FLEXI-1 Extraction Arm is a superior extraction arm c/w an advanced design 'Parallelogram' counter balancing system that eliminates the need for continual adjustment of friction joints and allows for an un-paralleled ease of movement. The FLEXI is an ideal solution for most "source-capture" applications. It is also specifically recommended for applications requiring an "easy to position" extractor that does not require constant adjustment. The design is compact and smooth, excellent for areas with low ceiling. The FLEXI Extractor Arm comes standard as 3m (10') long and Ø160mm (6.5") in diameter.

| | |
|---------------------------|--|
| CUSTOMER: | |
| CUSTOMER P.O.: | |
| PROJECT: | |
| ENGINEER: | |
| SALES REP.: | |
| IDENTIFICATION / TAGGING: | |

www.lev-co.com • 1.888.862.5356

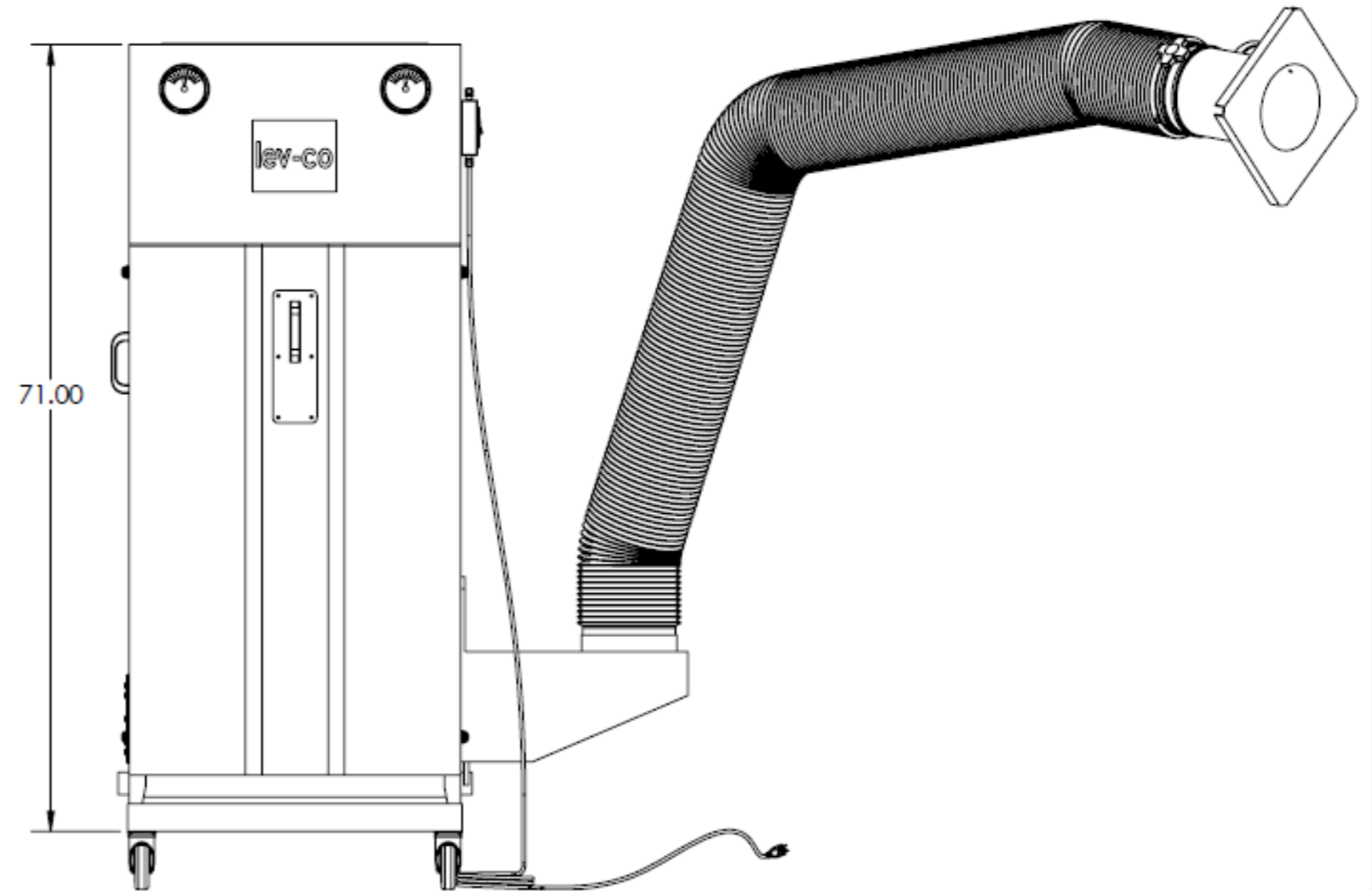
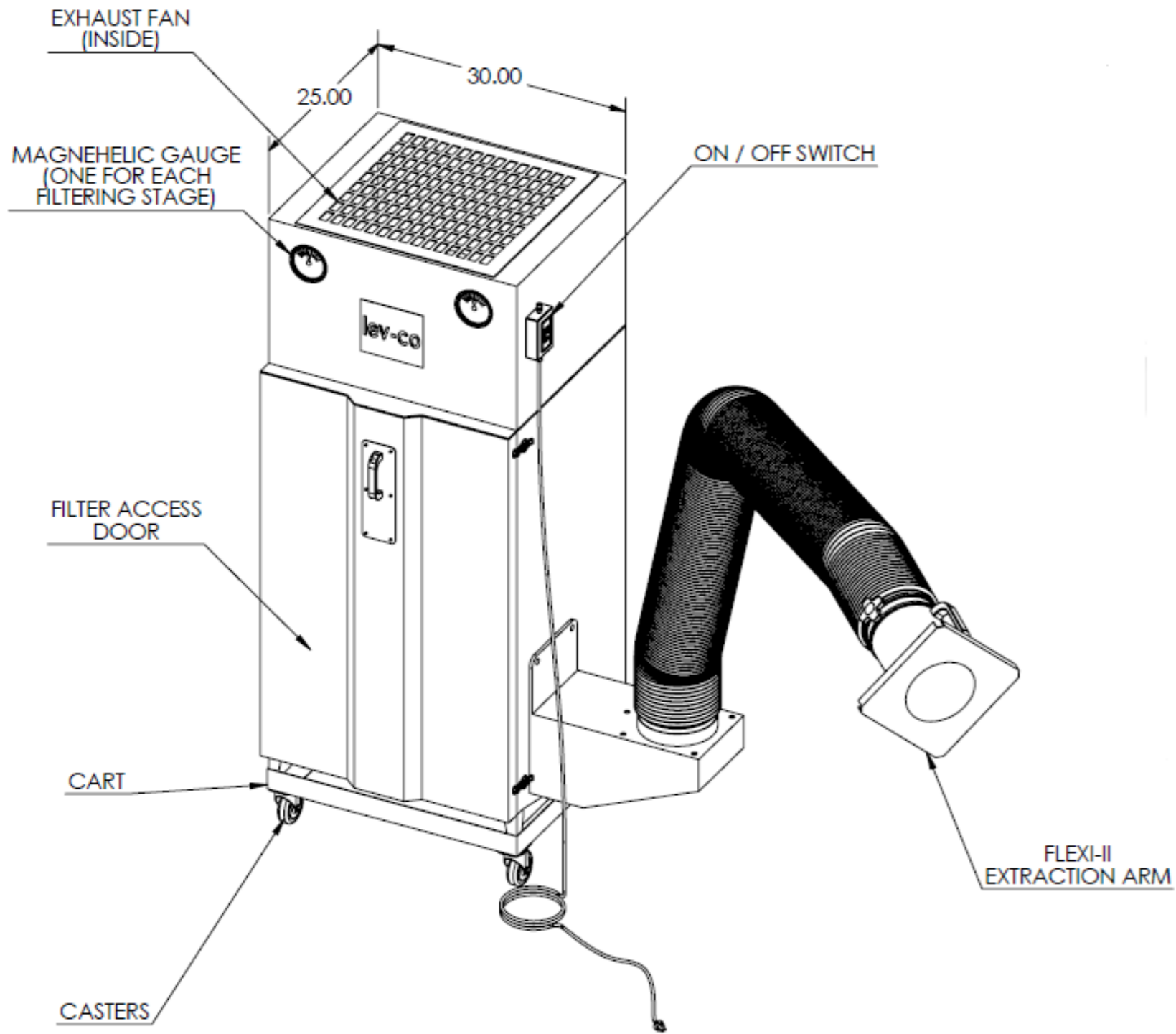


The device depicted and described hereon embodies proprietary information owned by the manufacturer. All design, manufacturing, reproduction, sales and patent rights regarding this device or drawing reserved except where explicit right is guaranteed in writing. We reserve the right to make design changes.

| | |
|-----------|------------|
| Drawn by: | Mark F |
| Date: | 11/03/2021 |
| Scale: | NTS |
| Weight: | N/A |

| | |
|---|-------------------------------------|
| MULTI-FLEX PORTABLE MIST COLLECTOR | |
| Specification Drawing | |
| Drawing No.: | File Name: (02-065) Multi-Flex - SD |
| Material: | Sheet: 2/5 |

MULTI-FLEX 2000



SPECIFICATIONS:

- The mechanical oil mist filter has a degree of separation of 95% of oil mists and up to 99.99% @ 0.3 microns of smoke with HEPA filters. These filter boxes have a large filtration area, are washable and are made of fiberglass media with aluminum separators. (The HEPA filters are not washable)

- The FLEXI-II Extraction Arm is a superior extraction arm c/w an advanced design 'Parallelogram' counter balancing system that eliminates the need for continual adjustment of friction joints and allows for an un-paralleled ease of movement. The FLEXI is an ideal solution for most "source-capture" applications. It is also specifically recommended for applications requiring an "easy to position" extractor that does not require constant adjustment. The design is compact and smooth, excellent for areas with low ceiling. The FLEXI Extractor Arm comes standard as 3m (10') long and Ø200mm (8") in diameter.

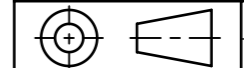
| |
|---------------------------|
| CUSTOMER: |
| CUSTOMER P.O.: |
| PROJECT: |
| ENGINEER: |
| SALES REP.: |
| IDENTIFICATION / TAGGING: |

> www.lev-co.com • 1.888.862.5356

lev-co

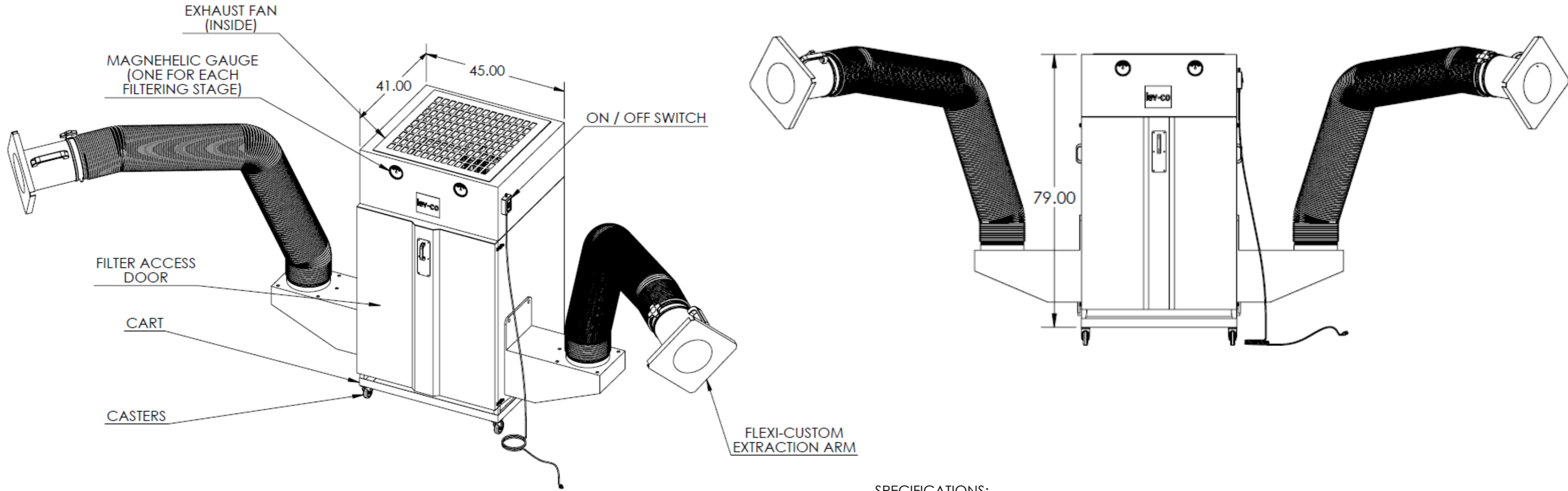
The device depicted and described hereon embodies proprietary information owned by the manufacturer. All design, manufacturing, reproduction, sales and patent rights regarding this device or drawing reserved except where explicit right is guaranteed in writing. We reserve the right to make design changes.

| | |
|-----------|------------|
| Drawn by: | Mark F |
| Date: | 11/03/2021 |
| Scale: | NTS |
| Weight: | N/A |



| | |
|---|-------------------------------------|
| MULTI-FLEX PORTABLE MIST COLLECTOR | |
| Specification Drawing | |
| Drawing No.: - | File Name: (02-065) Multi-Flex - SD |
| Material: - | Sheet: 3/5 |

MULTI-FLEX 4000



SPECIFICATIONS:

- The mechanical oil mist filter has a degree of separation of 95% of oil mists and up to 99.99% @ 0.3 microns of smoke with HEPA filters. These filter boxes have a large filtration area, are washable and are made of fiberglass media with aluminum separators. (The HEPA filters are not washable)
- The FLEXI-CUSTOM Extraction Arm is a superior extraction arm c/w an advanced design 'Parallelogram' counter balancing system that eliminates the need for continual adjustment of friction joints and allows for an un-paralleled ease of movement. The FLEXI is an ideal solution for most "source-capture" applications. It is also specifically recommended for applications requiring an "easy to position" extractor that does not require constant adjustment. The design is compact and smooth, excellent for areas with low ceiling. The FLEXI CUSTOM Extractor Arm comes standard as 3m (10') long and Ø305mm (12") in diameter.

| |
|---------------------------|
| CUSTOMER: |
| CUSTOMER P.O.: |
| PROJECT: |
| ENGINEER: |
| SALES REP.: |
| IDENTIFICATION / TAGGING: |

www.lev-co.com • 1.888.862.5356



The device depicted and described hereon embodies proprietary information owned by the manufacturer. All design, manufacturing, reproduction, sales and patent rights regarding this device or drawing reserved except where explicit right is guaranteed in writing. We reserve the right to make design changes.

| | |
|-----------|------------|
| Drawn by: | Mark F |
| Date: | 11/03/2021 |
| Scale: | NTS |
| Weight: | N/A |

| | |
|---|-------------------------------------|
| MULTI-FLEX PORTABLE MIST COLLECTOR | |
| Specification Drawing | |
| Drawing No.: | File Name: (02-065) Multi-Flex - SD |
| Material: | Sheet: 4/5 |

MODELS & OPTIONS

Part

Description

Extraction Arms

Inlet Filters (Pre-Filters)

Mobi-Oil - 1000

- [P-603-120-7](#) Mobi-Oil, 1.5HP 120V/1/60 fan c/w 7' Extraction arm, Switch, overload, plug and cord.
- [P-603-120-10](#) Mobi-Oil, 1.5HP 120V/1/60 fan c/w 10' Extraction arm, Switch, overload, plug and cord.

Multi-Flex - 2000 - 4000

- [MLT-FLEX-2000](#) Portable mechanical multi purpose 2000 M3/H (1200 CFM) filter with the following features: Can be configured to suit many applications such as Oil mist, Gases and Vapours, Fine particulate Optional HEPA and Adsorption filters available Spark Proof fan assemblies and explosion proof motors Superior 10Ft long and Ø8" Diameter FLEXI-II Extraction Arm c/w an advanced design 'Parallelogram' counter balancing system 2 Fixed and 2 Swivel Casters (Locking)
- [MLT-FLEX-4000](#) Portable mechanical multi purpose 2000 M3/H (1200 CFM) filter with the following features: Can be configured to suit many applications such as Oil mist, Gases and Vapours, Fine particulate Optional HEPA and Adsorption filters available Spark Proof fan assemblies and explosion proof motors Superior 10Ft long and Ø8" Diameter FLEXI-II Extraction Arm c/w an advanced design 'Parallelogram' counter balancing system 2 Fixed and 2 Swivel Casters (Locking)

Filter Options

- [CFHR-40-ASM](#) Assembly of Carbon Filter Holder with filter caps provided by Lev-Co Holds 40 lbs. of activated carbon.
- [NX-1200-HEPA](#) HEPA Filter Option (99.99%) for NOMEX© 2000. Not washable.
- [NX-2400-4000-HEPA](#) HEPA Filter Option (99.99%) for NOMEX© 4000. Not washable.
- [NX-266](#) HEPA Filter Option (99.99%) for Nomex 4000 - 48m2. Replacement HEPA Filter Option (99.99%) for Nomex 4000/8000 For nx-8000 2 pieces needed. Final stage HEPA FILTER for Nomex 4000, HEPA FILTER for the Nomex 44 M2 H-13. Stage 3
- [NX-600-HEPA](#) HEPA Filter Option (99.99%) for NOMEX© 1000. Not washable.
- [P-264](#) HEPA Filter Option (99.99%) for Nomex 1000/2000- 24 m2. Stage 3
- [P-265](#) HEPA Filter Option (99.99%) for Nomex 4000 - 24m²

Preventative Maintenance Pressure Gauges

- [LEV-MC-PG-5](#) Pressure Gauge - complete with Wall, Ceiling or table mounting bracket and 0-5 pressure gauge. 3/16 inside diameter tubing ordered separately.
- [PG-10](#) Pressure Gauge - complete with Wall, Ceiling or table mounting bracket and 0-10 pressure gauge. 3/16 inside diameter tubing ordered separately.

[P-002](#)

2m (7') Flexi 160mm (6.5")Ø Extraction arm for mounting to horizontal surface (EG: Mobi Flex, Table, etc.) c/w damper and horizontal surface mounting bracket.

[P-003](#)

3m (10') Flexi 160mm (6.5")Ø Extraction arm for mounting to horizontal surface (EG: Mobi Flex, Table, etc.) c/w damper and horizontal surface mounting bracket.

[P-171](#)

3m (10') Flexi II 200mm (8") Ø Extraction arm for mounting to horizontal Surface (EG: Mobi Flex, Table, etc.) c/w damper and horizontal surface mounting bracket.

[P-181](#)

2m (0.5+2m) - 160 mm(6.5") dia., mirror polished, acid proof stainless steel arm w/ sealed tube ends. Includes: wall bracket, hose and hood. External hydraulically suspended parallelogram arm. Free flow in the hose. Incredibly easy to move and stays in position. Can easily be demount ed and sterilized in an Autoclave.

[P-606](#)

Flexi Extraction Arm 2m diam.160mm with turning flange and damper with locking

[P-607](#)

Flexi Extraction arm 160mm 3m

Hood Options

[P-007-9-OIL](#)

Round Hood D160MM (6.33) with damper, black no lip internally supported hood for Flexi Arms. Used on the Oil-mist.

[RELH-6-18-EXT](#)

Conical Bell Mouth hood extension for 6" hoods. 18" diameter receiving end. 16G, Aluminum. Bell Mouth Version.

[RELH-6-24-EXT](#)

Conical Bell Mouth hood extension for 6" hoods. 24" diameter receiving end 16G, Aluminum. Bell Mouth Version.

[RELH-6-36-EXT](#)

Conical Bell Mouth hood extension for 6" hoods. 36" diameter receiving end 16G, Aluminum. Bell Mouth Version.

[RELH-8-18-EXT](#)

Conical Bell Mouth hood extension for 8" hoods. 18" diameter receiving end 16G, Aluminum. Bell Mouth Version.

[RELH-8-24-EXT](#)

Conical Bell Mouth hood extension for 8" hoods. 24" diameter receiving end 16G, Aluminum. Bell Mouth Version.

[RELH-8-36-EXT](#)

Conical Bell Mouth hood extension for 8" hoods. 36" diameter receiving end 16G, Aluminum. Bell Mouth Version

SPECIFICATIONS:

- The mechanical oil mist filter has a degree of separation of 95% of oil mists and up to 99.99% @ 0.3 microns of smoke with HEPA filters. These filter boxes have a large filtration area, are washable and are made of fiberglass media with aluminum separators. (The HEPA filters are not washable)

- The FLEXI-CUSTOM Extraction Arm is a superior extraction arm c/w an advanced design 'Parallelogram' counter balancing system that eliminates the need for continual adjustment of friction joints and allows for an un-paralleled ease of movement. The FLEXI is an ideal solution for most "source-capture" applications. It is also specifically recommended for applications requiring an "easy to position" extractor that does not require constant adjustment. The design is compact and smooth, excellent for areas with low ceiling. The FLEXI CUSTOM Extractor Arm comes standard as 3m (10') long and Ø305mm (12") in diameter.

| |
|---------------------------|
| CUSTOMER: |
| CUSTOMER P.O.: |
| PROJECT: |
| ENGINEER: |
| SALES REP.: |
| IDENTIFICATION / TAGGING: |



The device depicted and described hereon embodies proprietary information owned by the manufacturer. All design, manufacturing, reproduction, sales and patent rights regarding this device or drawing reserved except where explicit right is guaranteed in writing. We reserve the right to make design changes.

| | |
|-----------|------------|
| Drawn by: | Mark F |
| Date: | 11/03/2021 |
| Scale: | NTS |
| Weight: | N/A |

| | |
|--------------------------------|-------------------------------------|
| MULTI-FLEX | |
| PORTABLE MIST COLLECTOR | |
| Specification Drawing | |
| Drawing No.: - | File Name: (02-065) Multi-Flex - SD |
| Material: - | Sheet: 5/5 |