

TOP VIEW

CONSTRUCTION: 16 Gauge welded cabinet with zinc coated steel and Powder-Coat Finish. Includes a hinged filter access door, 14" max. Inlet collar (mounted on side or back, 12" max. front), a 1.5" drain, Ultra-Seal filter mounting system, and a direct drive motor/blower assembly. Circuit and motor over-load protection by others.

WEIGHT: 350 lbs.

AIRFLOW: 3000 CFM, 5 HP
2400 CFM, 3 HP
2000 CFM (HEPA OPTION)

ELECTRICAL: 5 HP 208-230/460/575/3/60, 12.0/6.0 amps, std.
 3 HP 208-230/460/575/3/60, 9.2-8.0/4.0 amps, opt.
 3 HP 220/380/3/50, 11.3/5.65 amps, opt.

NOISE: 78 dBA

FILTER SEAL: Ultra-Seal, positive sealing filter locking mechanism for all main filters.

FIRE SUPPRESSION: Equipment provided by others.

SPECIFICATIONS:

PREFILTERS: (1) 2" aluminum mesh, std.
 (1) 2" polyester prefilter, opt.

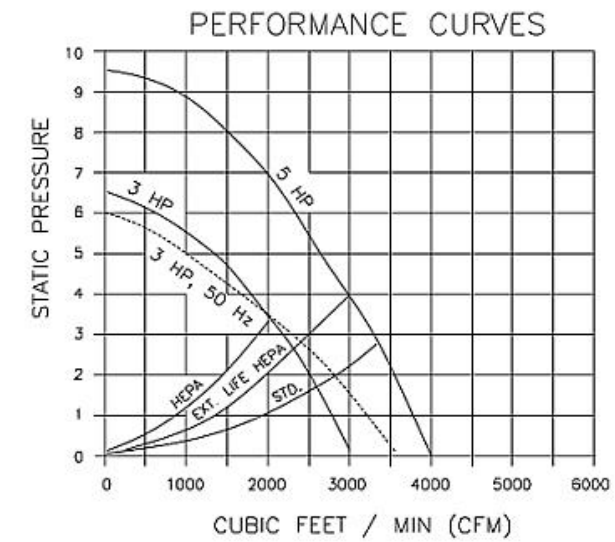
MAIN FILTERS: (4) Mist-Plus filters, std.

UNIT EFFICIENCY: 90% Minimum on U.N.C. Oil Mist Test.

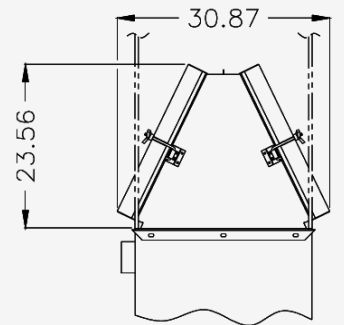
AFTER FILTERS: (1) 4", 95% D.O.P. filter, opt.
 (1) 4", 99.97% HEPA filter, (2000 CFM) opt.

AD OPTION: (2) 12" v-bank refillable adsorber module, 25 lb. capacity ea.

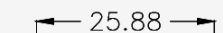
OTHER OPTIONS: Pressure gauge kit indicates filter changes
 24" Leg Stand
 External D.O.P. or AD (top discharge)
 Drain loop



OPTIONAL HEPA CONFIGURATION

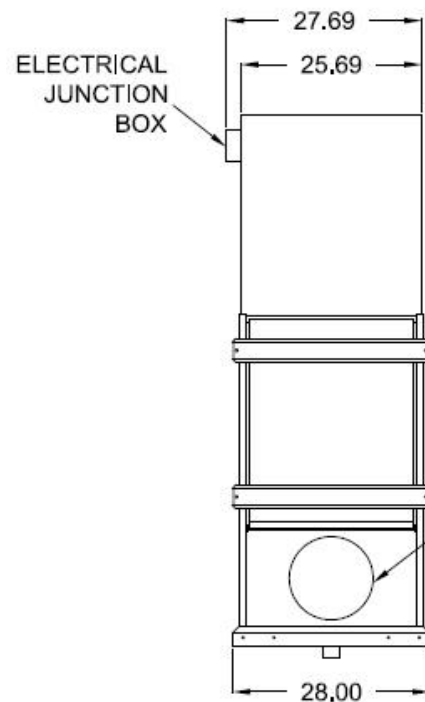


FRONT VIEW



SIDE VIEW

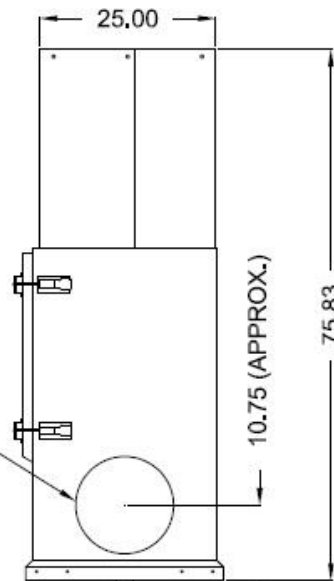
EXTENDED LIFE FILTER CABINET



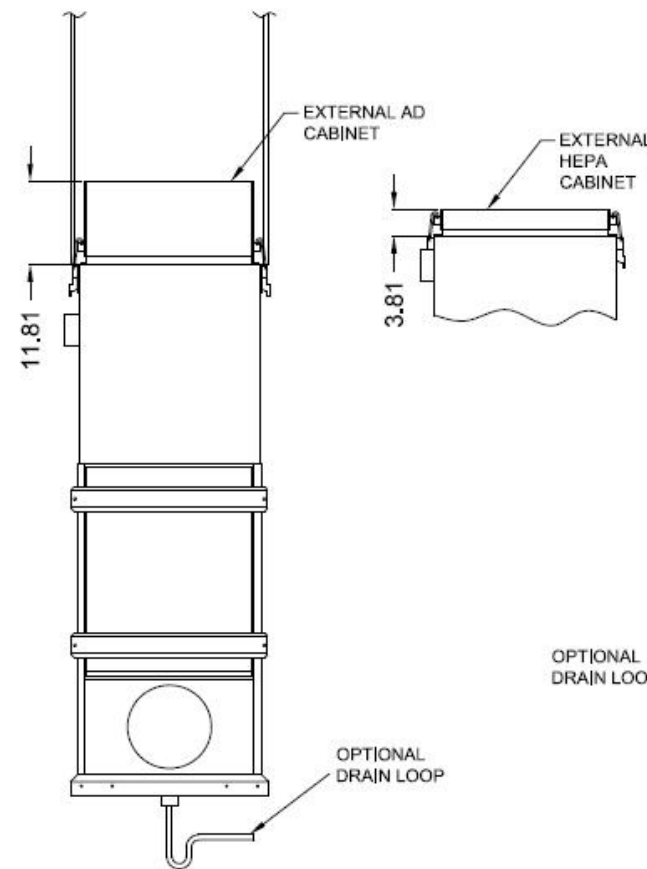
FRONT VIEW

14" INLET
(LOCATION -
USERS CHOICE,
3 SIDES, 12"
MAX ON FRONT)

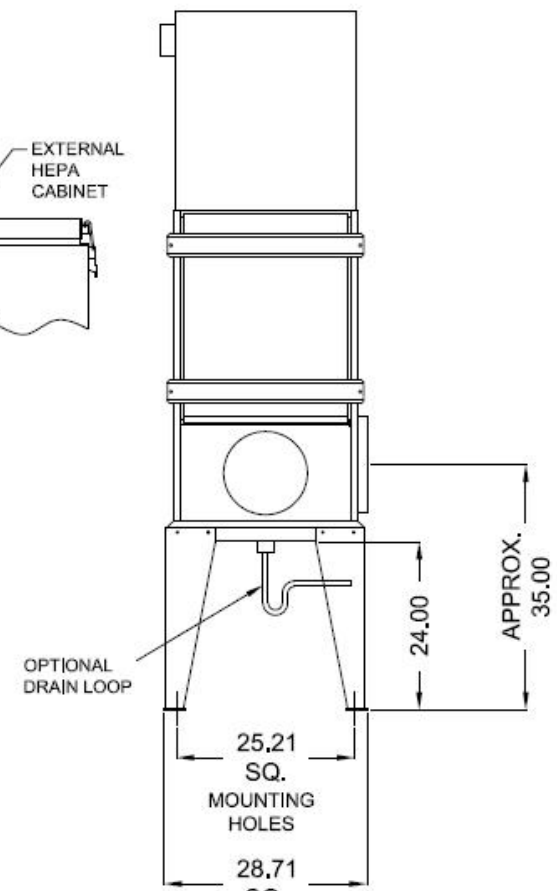
1.50"
DRAIN



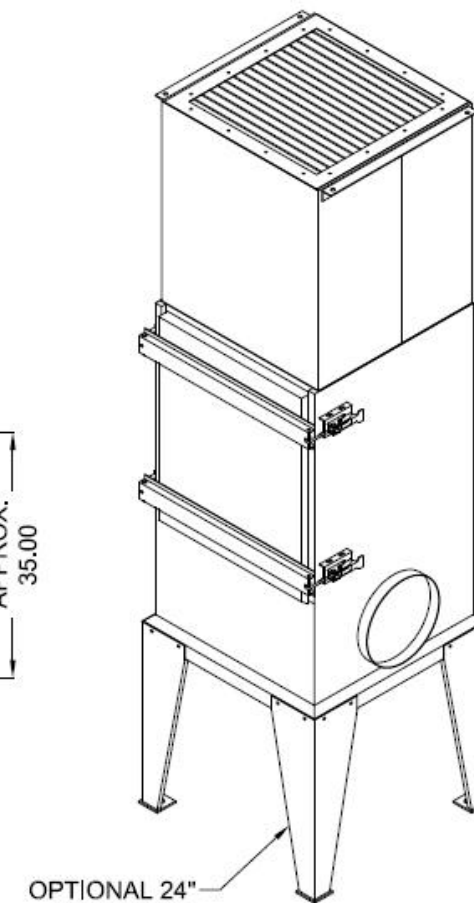
SIDE VIEW



BASIC CONFIGURATION -
CEILING HUNG



OPTIONAL STAND
AND DRAIN LOOP



OPTIONAL 24"
LEG STAND

11-06

CUSTOMER:	
CUSTOMER P.O.:	
PROJECT:	
ENGINEER:	
SALES REP.:	
IDENTIFICATION / TAGGING:	

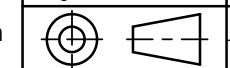
> www.lev-co.com • 1.888.862.5356

lev-co

The device depicted and described hereon embodies proprietary information owned by the manufacturer. All design, manufacturing, reproduction, sales and patent rights regarding this device or drawing reserved except where explicit right is guaranteed in writing. We reserve the right to make design changes.

Drawn by:	Janos B
Date:	4/23/2009
Scale:	NTS
Weight:	N/A

**11-06 MP30
Mist Collector
Specification Drawing**



Drawing No.:	-	File Name:	(11-06) MP30 - SD
Material:	-	Sheet:	1/2

MODELS & OPTIONS

Part #	Description
Main System / Part	
<input type="checkbox"/> ___ MP30-1	MP30 industrial air cleaner with a 5 Hp TEFC motor 208-230/460/3/60 Hz
<input type="checkbox"/> ___ MP30-2	MP30 industrial air cleaner with a 5 Hp TEFC motor 575-600/3/60 Hz

Fan / Motor Upgrades or Options (when ordering main unit)	
<input type="checkbox"/> ___ MP30-3HP-2400 CFM	3Hp TEFC, 2400 CFM Blower Option for Standard MP30 Unit
<input type="checkbox"/> ___ MP30-2HP-2100CFM	2 HP motor/blower, in place of 5HP. 69 dBA.

Filter Options (when ordering main unit)	
<input type="checkbox"/> ___ MP30-2P	2" Polyester Prefilter Option for Standard MP30 Unit
<input type="checkbox"/> ___ MP30-EXAD	External Adsorber Module Option for Standard MP30 Unit
<input type="checkbox"/> ___ MP30-EX-MERV14	External MERV14 pleated, synthetic filter, 2000 cfm. (Adds 4" to height and 15 lbs. to ship weight)
<input type="checkbox"/> ___ MP30-EXHE-2HP	External 99.97% HEPA Filter Option for MP30 with 2HP ONLY
<input type="checkbox"/> ___ MP30-HEPA-XL	Extended Life HEPA is an "A" frame assembly with 2 each 2000 CFM 99.97 HEPA vs 1 HEPA in the EXHE assembly.
<input type="checkbox"/> ___ MP30-EX-MERV14-XL	Extended Life MERV14 pleated, synthetic filter, is an "A" frame assembly with (2) each 2000 cfm vs. (1) MERV14 pleated, synthetic filter, in the EX-MERV14 assembly

Preventative Maintenance Pressure Gauges, etc. (when ordering main unit)	
<input type="checkbox"/> ___ PG-10	0-10" magna-helic pressure gauge, approximately 5" diameter size. Surface mounted.
<input type="checkbox"/> ___ PG-6	0-6" magna-helic pressure gauge, approximately 5" diameter size. Surface mounted.

Sound Attenuation	
<input type="checkbox"/> ___ MP30-SILENCER	Silencer, top mount.

Bridge Clamps	
<input type="checkbox"/> ___ MD-530-075-100	3" Ø Bridge Clamp. Clamping range of 70mm-90mm
<input type="checkbox"/> ___ MD-530-100-100	4" Ø Bridge Clamp. Clamping range of 100mm-120mm
<input type="checkbox"/> ___ MD-530-125-100	5" Ø Bridge Clamp. Clamping range of 120mm-140mm
<input type="checkbox"/> ___ MD-530-150-100	6" Ø Bridge Clamp. Clamping range of 150mm-170mm
<input type="checkbox"/> ___ MD-530-200-100	8" Ø Bridge Clamp. Clamping range of 200mm-220mm
<input type="checkbox"/> ___ MD-530-250-100	10" Ø Bridge Clamp. Clamping range of 250mm-270mm
<input type="checkbox"/> ___ MD-530-300-100	12" Ø Bridge Clamp. Clamping range of 300mm-320mm
<input type="checkbox"/> ___ MD-530-350-100	14" Ø Bridge Clamp. Clamping range of 350mm-370mm
<input type="checkbox"/> ___ MD-530-400-100	16" Ø Bridge Clamp. Clamping range of 400mm-420mm

Part #	Description
Hose Rings	
<input type="checkbox"/> ___ HR-3-OM	3" dia. Hose Ring to connect oil mist hose to CNC machine
<input type="checkbox"/> ___ HR-4-OM	4" dia. Hose Ring to connect oil mist hose to CNC machine
<input type="checkbox"/> ___ HR-5-OM	5" dia. Hose Ring to connect oil mist hose to CNC machine
<input type="checkbox"/> ___ HR-6-OM	6" dia. Hose Ring to connect oil mist hose to CNC machine
<input type="checkbox"/> ___ HR-8-OM	8" dia. Hose Ring to connect oil mist hose to CNC machine
<input type="checkbox"/> ___ HR-10-OM	10" dia. Hose Ring to connect oil mist hose to CNC machine
<input type="checkbox"/> ___ HR-12-OM	12" dia. Hose Ring to connect oil mist hose to CNC machine
<input type="checkbox"/> ___ HR-14-OM	14" dia. Hose Ring to connect oil mist hose to CNC machine
<input type="checkbox"/> ___ HR-16-OM	16" dia. Hose Ring to connect oil mist hose to CNC machine

Hose for Oil Mist	
<input type="checkbox"/> ___ MD-311-075-401	3" Ø Master Pur-SL Hose. Super lightweight polyester/polyurethane w/wire reinforcement. Very flexible and clear. Minimum 5 times wear life improvement over PVC and TPR. Price per ft. (10' Length Minimum)
<input type="checkbox"/> ___ MD-311-100-401	4" Ø Master Pur-SL Hose. Super lightweight polyester/polyurethane w/wire reinforcement. Very flexible and clear. Minimum 5 times wear life improvement over PVC and TPR. Price per ft. (10' Length Minimum)
<input type="checkbox"/> ___ MD-311-125-401	5" Ø Master Pur-SL Hose. Super lightweight polyester/polyurethane w/wire reinforcement. Very flexible and clear. Minimum 5 times wear life improvement over PVC and TPR. Price per ft. (10' Length Minimum)
<input type="checkbox"/> ___ MD-311-150-401	6" Ø Master Pur-SL Hose. Super lightweight polyester/polyurethane w/wire reinforcement. Very flexible and clear. Minimum 5 times wear life improvement over PVC and TPR. Price per ft. (10' Length Minimum)
<input type="checkbox"/> ___ MD-311-200-401	8" Ø Master Pur-SL Hose. Super lightweight polyester/polyurethane w/wire reinforcement. Very flexible and clear. Minimum 5 times wear life improvement over PVC and TPR. Price per ft. (10' Length Minimum)
<input type="checkbox"/> ___ MD-311-250-401	10" Ø Master Pur-SL Hose. Super lightweight polyester/polyurethane w/wire reinforcement. Very flexible and clear. Minimum 5 times wear life improvement over PVC and TPR. Price per ft. (10' Length Minimum)
<input type="checkbox"/> ___ MD-311-300-401	12" Ø Master Pur-SL-FG Hose. Super lightweight polyester/polyurethane w/wire reinforcement. Very flexible and clear. Minimum 5 times wear life improvement over PVC and TPR. Price per ft. (10' Length Minimum)
<input type="checkbox"/> ___ MD-311-350-401	14" Ø Master Pur-SL Hose. Super lightweight polyester/polyurethane w/wire reinforcement. Very flexible and clear. Minimum 5 times wear life improvement over PVC and TPR. Price per ft. (10' Length Minimum)
<input type="checkbox"/> ___ MD-311-400-401	16" Ø Master Pur-SL Hose. Super lightweight polyester/polyurethane w/wire reinforcement. Very flexible and clear. Minimum 5 times wear life improvement over PVC and TPR. Price per ft. (10' Length Minimum)

Installation Accessories	
<input type="checkbox"/> ___ MP30-DL-1.5	Drain Loop Kit Option for Standard MP30 Unit
<input type="checkbox"/> ___ Tubing-3/4"	3/4" I.D. Clear Plastic Tubing. Priced per foot.
<input type="checkbox"/> ___ MP-1.5DL	1.5" dia. Drain Loop kit c/w PVC pipe, fittings, ball valve and glue
<input type="checkbox"/> ___ MP-SEAL	Astroseal Sealant

Installation Option & Accessories	
<input type="checkbox"/> ___ MP30-IA	Additional Inlet Collars Option for Standard MP30 Unit
<input type="checkbox"/> ___ MP30-STAND 24	24" High Stand Option for Standard MP30 Unit

CUSTOMER:
CUSTOMER P.O.:
PROJECT:
ENGINEER:
SALES REP.:
IDENTIFICATION / TAGGING:


www.lev-co.com • 1.888.862.5356



The device depicted and described hereon embodies proprietary information owned by the manufacturer. All design, manufacturing, reproduction, sales and patent rights regarding this device or drawing reserved except where explicit right is guaranteed in writing. We reserve the right to make design changes.

Drawn by:	Janos B
Date:	4/23/2009
Scale:	NTS
Weight:	N/A

11-06 MP30 Mist Collector	
Specification Drawing	
Drawing No.:	-
File Name:	(11-06) MP30 - SD
Material:	-
Sheet:	2/2