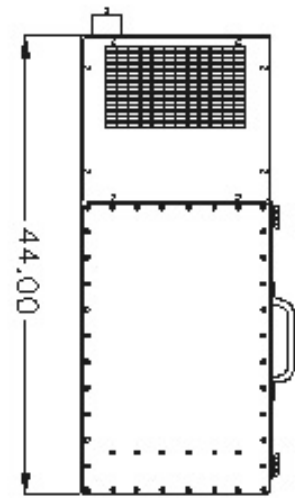


SPECIFICATIONS:



TOP VIEW

CONSTRUCTION: 18 Gauge welded steel cabinet with Powder-Coat finish. Includes filter access door on right side for right hand applications, Ultra-Seal® filter mounting system, acoustically lined B.I. blower cabinet, 2" deep sump with a 10" bottom inlet collar, on-off switch, and a 10' power cord (115V). Three phase units wired to a junction box; circuit and motor overload protection by others.

WEIGHT: 170 lbs.
AIRFLOW: 800 CFM
NOISE: 75 dBA

ELECTRICAL:
 1 HP 115/1/60, 12 amps, std.
 1 HP 208-230/460/3/60, 3.7-3.6/1.8 amps, opt
 3/4 HP 115/208-230/1/60, 9.8/4.9 amps, opt.
 3/4 HP 208-230/460/3/60, 2.7-2.6/1.3 amps, opt.

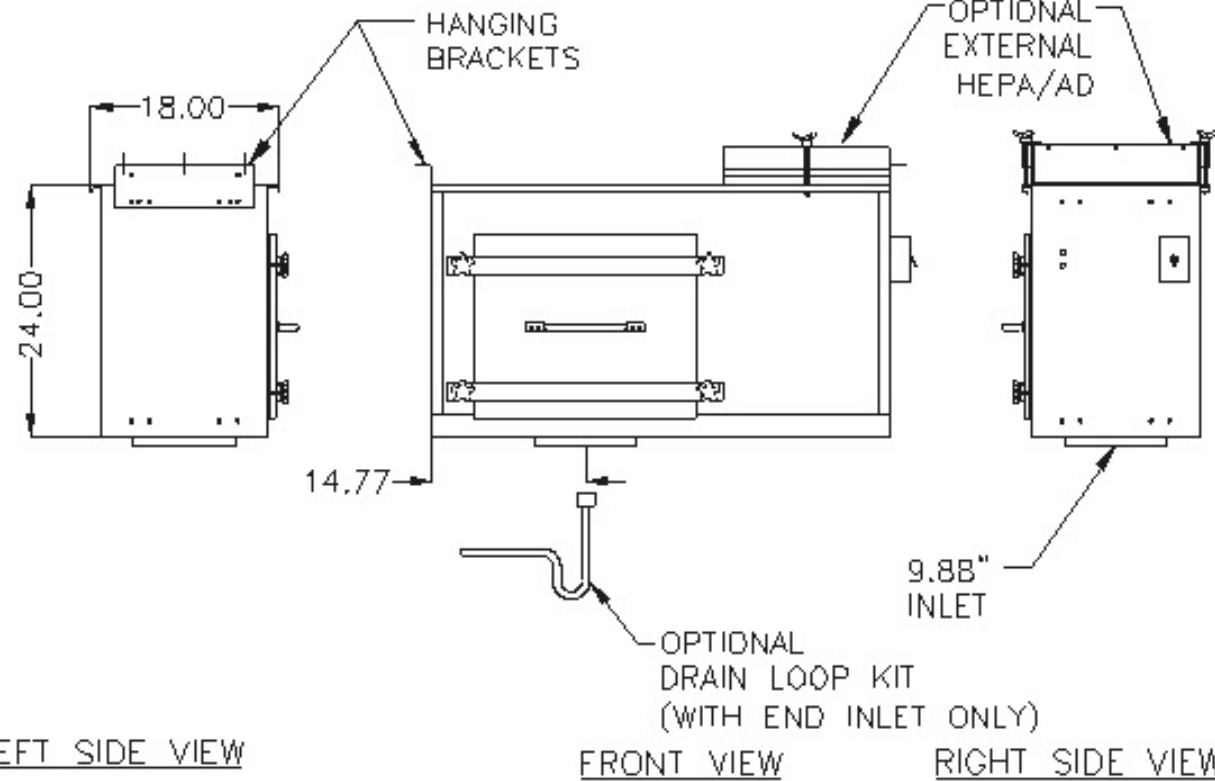
MAIN FILTERS: (2) MistPlus® Filters
 (2) MistPlus® II Filters

UNIT EFFICIENCY: 95% Minimum on U.N.C. Oil Mist Test

AFTER FILTERS: (1) External HEPA filter, 99.97%, Opt.
 (1) External DOP filter, 95%, Opt.
 (1) External adsorber, Opt.
 (1) Activated Charcoal, Opt.
 (1) KMNO4, Opt.

OTHER OPTIONS Pressure gauge kit indicates filter changes
 Drain loop kit
 Additional inlet

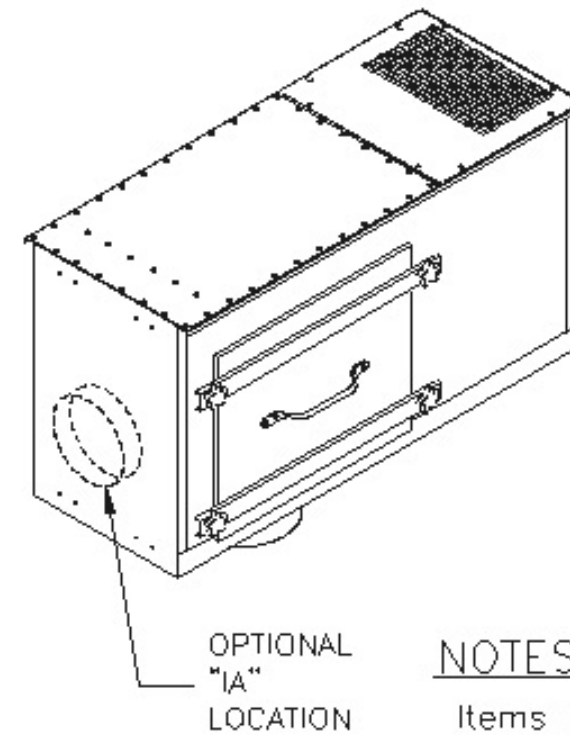
FIRE SUPPRESSION Equipment provided by others.



LEFT SIDE VIEW

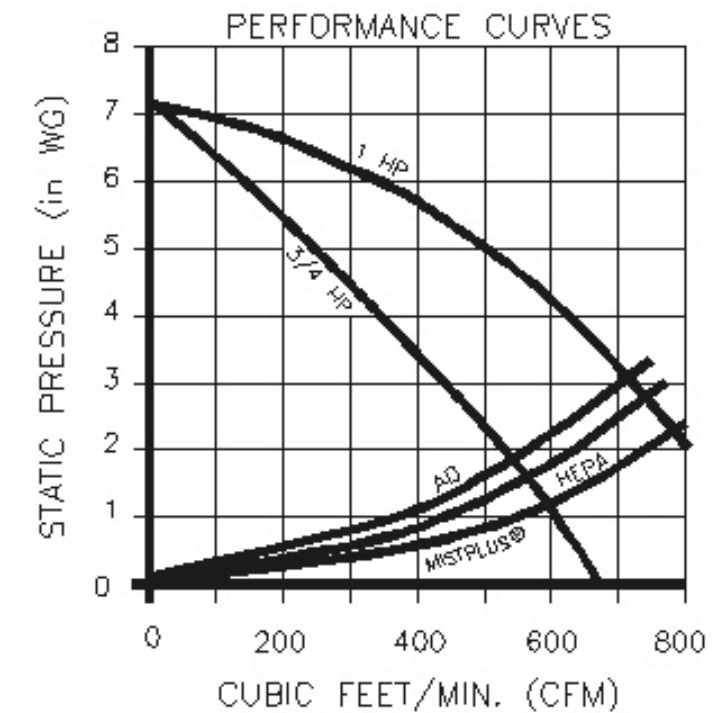
FRONT VIEW

RIGHT SIDE VIEW



NOTES:

Items designated as are included in this proposal.



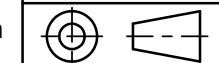
CUSTOMER:	
CUSTOMER P.O.:	
PROJECT:	
ENGINEER:	
SALES REP.:	
IDENTIFICATION / TAGGING:	

> www.lev-co.com • 1.888.862.5356



The device depicted and described hereon embodies proprietary information owned by the manufacturer. All design, manufacturing, reproduction, sales and patent rights regarding this device or drawing reserved except where explicit right is guaranteed in writing. We reserve the right to make design changes.

Drawn by:	Janos B
Date:	11/6/2014
Scale:	NTS
Weight:	N/A



MPH8-v.2.	
RIGHT HAND SIDE VERSION	
Specification Drawing	
Drawing No.:	File Name: MPH8-v.2.-RH_-SD
Material:	Sheet: 1/1