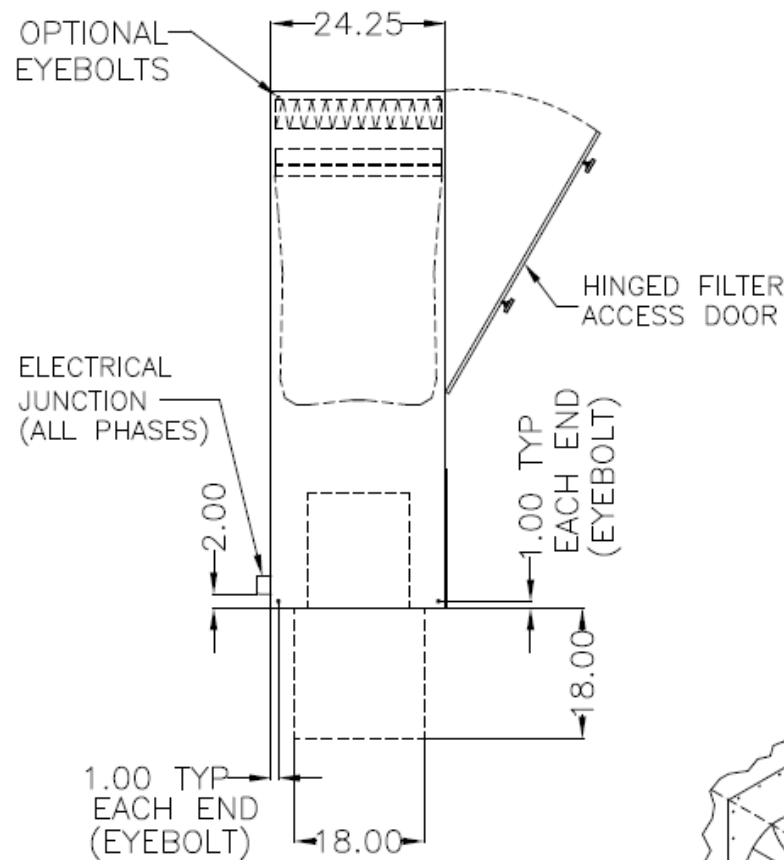


SPECIFICATIONS:



CONSTRUCTION:

16 Ga. welded zinc coated steel cabinet, finished with a two part chemical and oil resistant paint. Side access door to filters and motor. Belt driven ball bearing 12x12 blower, 4-way adjustable airfoil blade exhaust grille. Motor wired to junction box outside unit. Motor starters/disconnects NOT included.

WEIGHT:

300 lbs.

AIRFLOW:

3800 CFM
2000 CFM W/HEPA or V-Bank

NOISE:

75 dBA / 69 dBA with silencer - std.
79 dBA / 75 dBA with silencer - 3 HP

ELECTRICAL:

- 2 HP 208-230/460/3/60, 6.5-6.2/3.1 amps, std.
- HP-3 HP 208-230/460/3/60, 9.2-8.0/4.0 amps, opt.
- 3 HP 115/230/1/60, 14.5 amps, opt.

FILTER SEAL:

Ultra-Seal™ with positive sealing filter locking mechanism for all main filters, optional HEPA filter and adsorber modules (when used). Slide in tracks shall be used for prefilters only.

FIRE SUPPRESSION: Equipment provided by others.

PREFILTERS:

- (1) 4" Pleat, std.
- (1) Aluminum mesh, opt.
- (1) Chevron filter, opt.

MAIN FILTERS:

- (1) 120 ft² multi-pocket 65%, std.
- (1) 95% - opt.
- (1) Easy clean, opt.

AFTER FILTERS:

- (1) 4" pleat prefilter followed by (1) 66 ft², 95% bag filter, which is followed by (1) 99.97% D.O.P. HEPA filter.

AD OPTION:

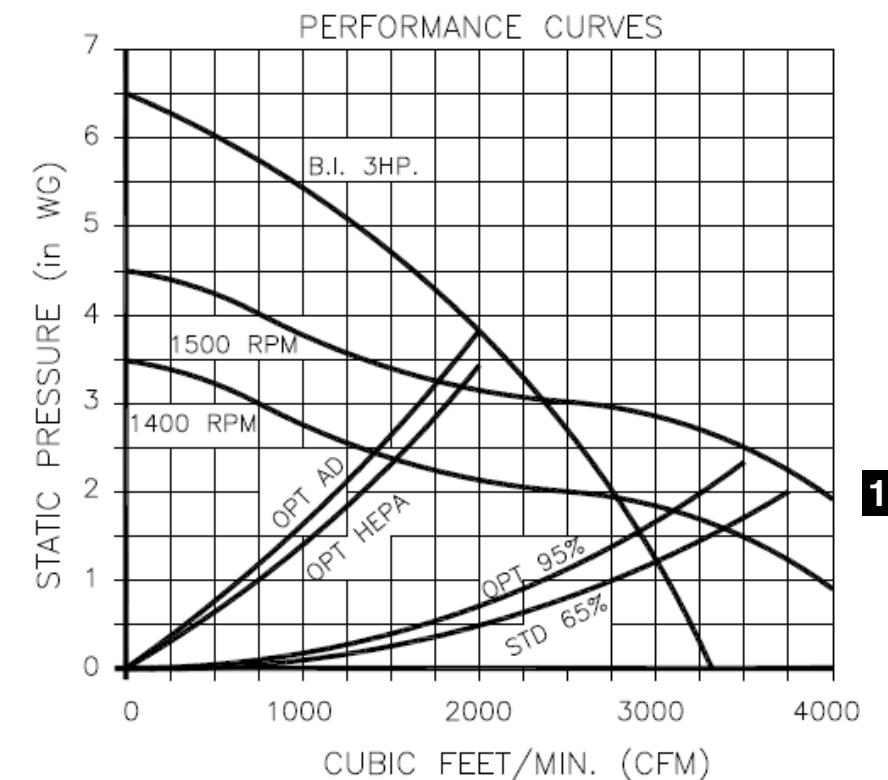
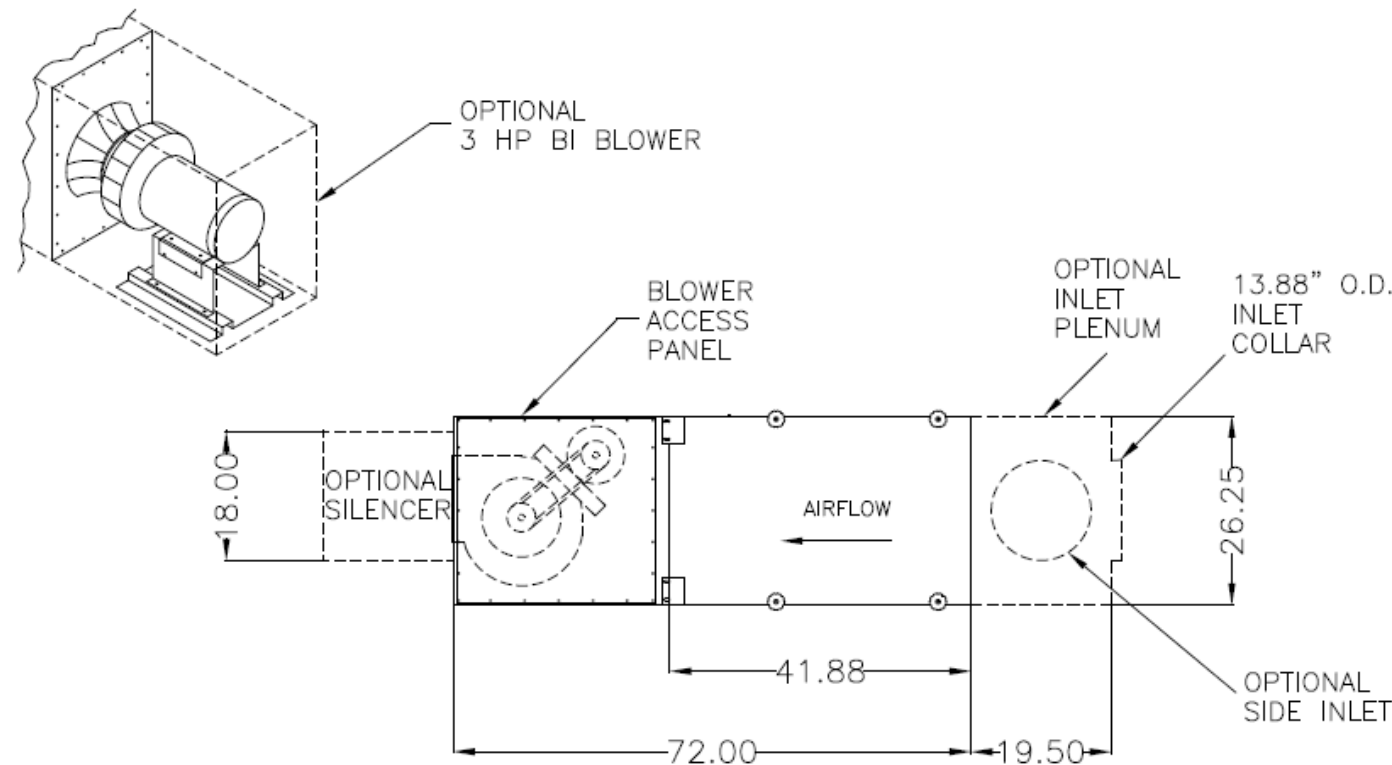
- (1) 4" pleat prefilter followed by (1) 66 ft², 95% short bag filter, followed by (2) refillable AD modules, 25 lb. capacity each, and (1) 2" pleat afterfilter.

OTHER OPTIONS:

- Pressure gauge kit indicates filter changes.
- Inlet plenum.
- Silencer w/ right angle discharge.
- Eyebolts

* AFS FILTER EFFICIENCIES BASED ON ASHRAE 52-76 TEST METHOD

** UNIT CAN BE FLIPPED FOR LEFT TO RIGHT AIRFLOW.



10-02

CUSTOMER:
CUSTOMER P.O.:
PROJECT:
ENGINEER:
SALES REP.:
IDENTIFICATION / TAGGING:

> www.lev-co.com • 1.888.862.5356

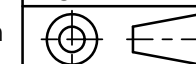
lev-co

The device depicted and described hereon embodies proprietary information owned by the manufacturer. All design, manufacturing, reproduction, sales and patent rights regarding this device or drawing reserved except where explicit right is guaranteed in writing. We reserve the right to make design changes.

Drawn by: JANOS-B
Date: 5/1/2008
Scale: NTS
Weight: N/A

**10-02 F120
Air Cleaner**

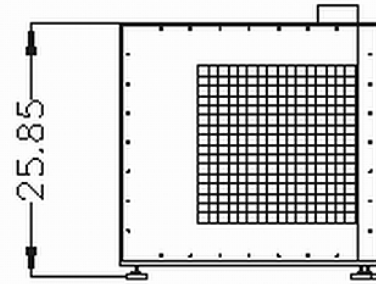
Specification Drawing



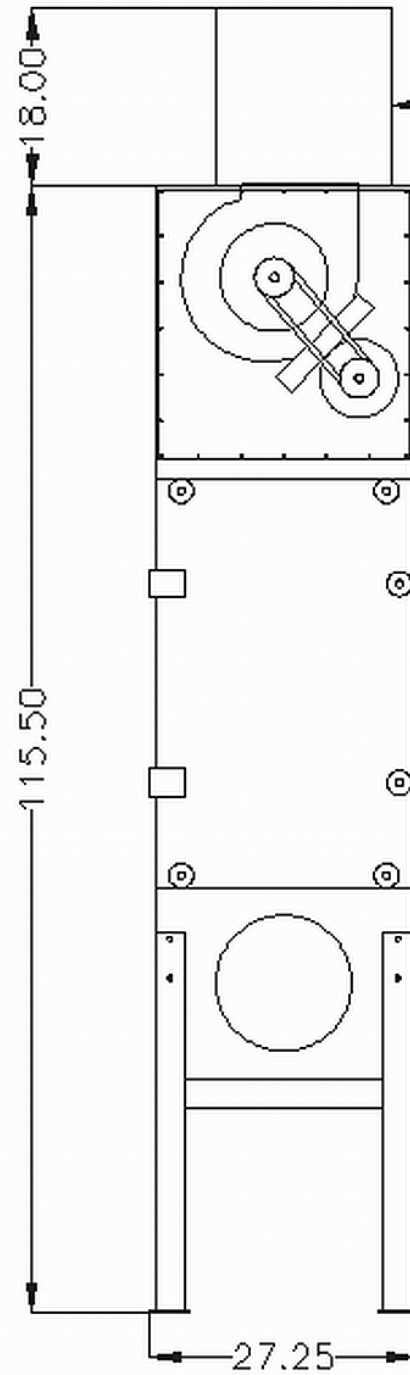
Drawing No.: -
Material: -
File Name: (10-02) F120 - SD

Sheet: 1/2

VERTICAL CONFIGURATION

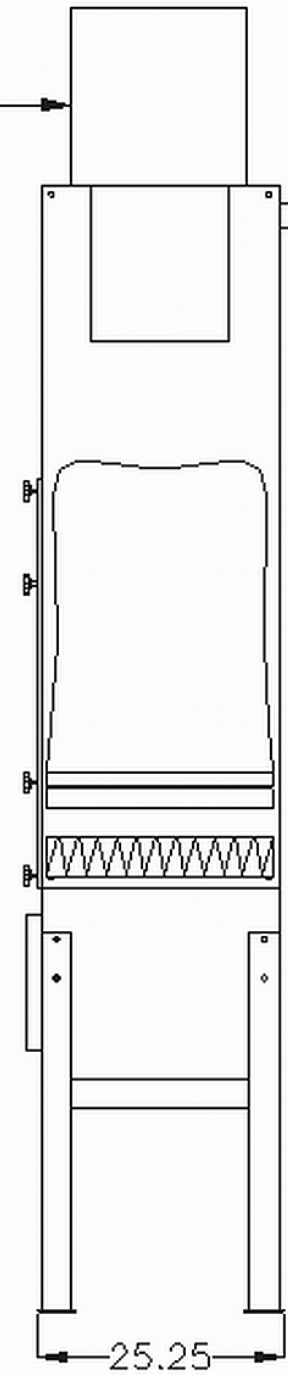


TOP VIEW



FRONT VIEW

OPTIONAL
SILENCER



SIDE VIEW

10-02

CUSTOMER:
CUSTOMER P.O.:
PROJECT:
ENGINEER:
SALES REP.:
IDENTIFICATION / TAGGING:

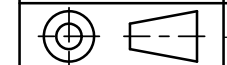
> www.lev-co.com • 1.888.862.5356

lev-co

The device depicted and described hereon embodies proprietary information owned by the manufacturer. All design, manufacturing, reproduction, sales and patent rights regarding this device or drawing reserved except where explicit right is guaranteed in writing. We reserve the right to make design changes.

Drawn by:	JANOS-B
Date:	5/1/2008
Scale:	NTS
Weight:	N/A

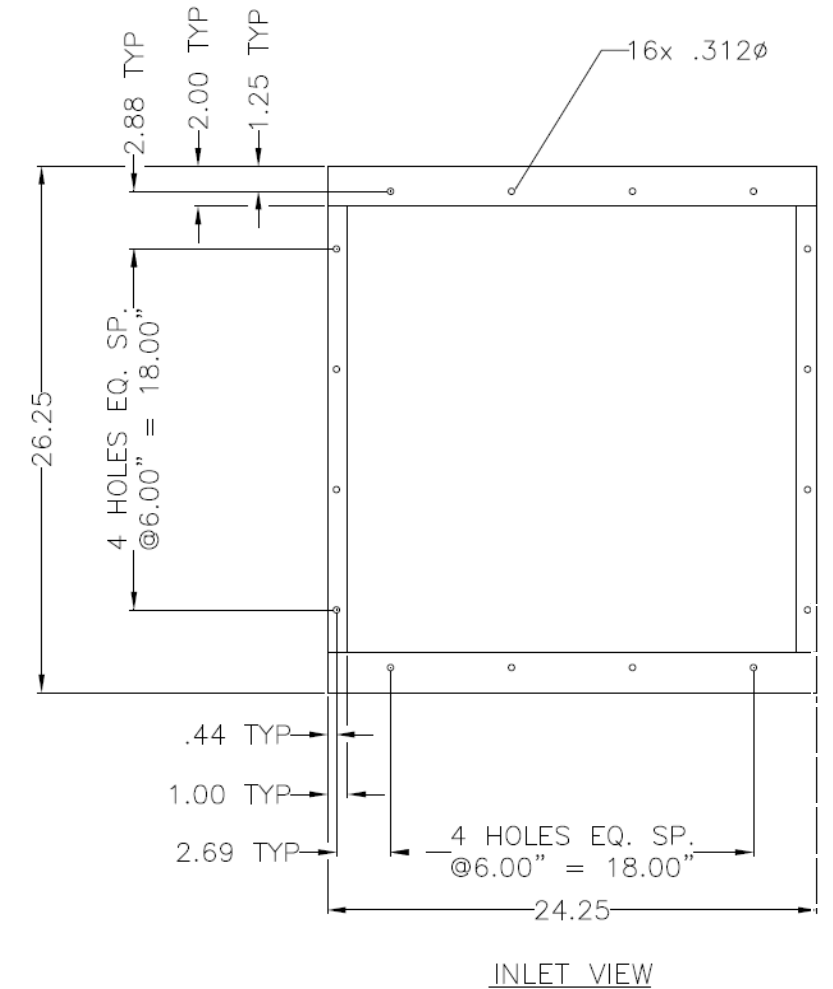
10-02 F120
Air Cleaner
Specification Drawing



Drawing No.:	-	File Name:	(10-02) F120 - SD
Material:	-	Sheet:	2/3

MODELS & OPTIONS:

Part #	Description
Main System / Part	
<input type="checkbox"/> F120-1	1000-2000 CFM industrial air cleaner with (1) 4" deep 30% pleated prefilter (1) 65% bag filter (120ft²) and a 2 HP TEFC motor. Pls specify voltage when ordering.
Fan / Motor Upgrades or Options (when ordering main unit)	
<input type="checkbox"/> F120-3HP	3HP BI Blower Option for Standard F120 Unit
<input type="checkbox"/> F120-3HP-1PH	3HP 1 Phase BI Blower Option for Standard F120 Unit
Filter Options (when ordering main unit)	
<input type="checkbox"/> F120-2P	2" Polyester Prefilter Option for Standard F120 Unit
<input type="checkbox"/> F120-95%	95% bag option, in place of std. 65% bag.
<input type="checkbox"/> F120-AD	AD Module Option for Standard F120 Unit
<input type="checkbox"/> F120-EC	Easy Clean Bag Filter Option for Standard F120 Unit
<input type="checkbox"/> F120-HEPA	99.97% DOP HEPA Filter Option for Standard F120 Unit
<input type="checkbox"/> F120-R	Reduce Maintenance Prefilter Option for Standard F120 Unit
<input type="checkbox"/> F120-2A	2" Mesh Prefilter Option for Standard F120 Unit
<input type="checkbox"/> F120-95DOP	95% DOP HEPA Filter Option for Standard F120 Unit
<input type="checkbox"/> F120-CV	Chevron Filter Option for Standard F120 Unit
Preventative Maintenance Pressure Gauges, etc. (when ordering main unit)	
<input type="checkbox"/> F120-PG-10	0-10" magna-helic pressure gauge, approximately 5" diameter size. Surface mounted.
Misc. Options	
<input type="checkbox"/> 7ER00003	24 V air flow switch option for F120 unit (installed)
<input type="checkbox"/> F120-DK	Drain kit for F120 unit (2 kits needed with Chevron Option)
Sound Attenuation	
<input type="checkbox"/> F120-S-EXT	Silencer Option for Standard F120 Unit
Replacement filters - (Quantity discounts available upon request)	
<input type="checkbox"/> 2AF90006	Adsorber v-bank module.
<input type="checkbox"/> 2AF19032	Easy Clean Bag Filter
<input type="checkbox"/> 2AF49100	Chevron Filter
<input type="checkbox"/> 2AZ20003	Replacement for Reduced Maintenance Prefilter for F70R (10 sq. ft.)
<input type="checkbox"/> 2AZ20004	2" Polyester Prefilter 24" x 24"
<input type="checkbox"/> 7FB65119	65% Short Bag Filter
<input type="checkbox"/> 7FB65132	65% Bag Filter
<input type="checkbox"/> 7FB90119	95% Short Bag Filter
<input type="checkbox"/> 7FB90132	95% Bag Filter
<input type="checkbox"/> 7FJ95112	95% @ 0.3 micron DOP filter c/w metal frame
<input type="checkbox"/> 7FJ99113	99.97% @ 0.3 micron HEPA Filter, steel frame (24" x 24" x 12")
<input type="checkbox"/> 7FP30102	24"x24" x2" Pleated Prefilter
<input type="checkbox"/> 7FP30104	24"x24"x4"-30%-Pleated Prefilter
<input type="checkbox"/> CFH-2-10	Refillable Charcoal Filter Holder (24" x 24" x 2"). Holds 10 lbs of charcoal. Charcoal not included.
<input type="checkbox"/> Charcoal-18	18 lbs. of activated charcoal
Installation Option & Accessories	
<input type="checkbox"/> F120-EB	3/8" Eyebolts Option for Standard F120 Unit
<input type="checkbox"/> F120-IA	Additional Inlet Collar Option for Standard F120 Unit
<input type="checkbox"/> F120-OTD	Outdoor Option for Standard F120 Unit
<input type="checkbox"/> F120-SP	Source Capture Plenum Option for Standard F120 Unit



- F120-VDK F120 Vertical door kit (for vertical F120 the door kit, inlet source plenum and standard leg should be added)
- F120-STAND 24" Floor stand for F120

10-02

CUSTOMER:
 CUSTOMER P.O.:
 PROJECT:
 ENGINEER:
 SALES REP.:
 IDENTIFICATION / TAGGING:

www.lev-co.com • 1.888.862.5356



The device depicted and described hereon embodies proprietary information owned by the manufacturer. All design, manufacturing, reproduction, sales and patent rights regarding this device or drawing reserved except where explicit right is guaranteed in writing. We reserve the right to make design changes.

Drawn by: JANOS-B
 Date: 5/1/2008
 Scale: NTS
 Weight: N/A

10-02 F120 Air Cleaner	
Specification Drawing	
Drawing No.: -	File Name: (10-02) F120 - SD
Material: -	Sheet: 3/3