

## SPECIFICATIONS:

**CONSTRUCTION:** 16 Ga. welded zinc coated steel cabinet, finished with a two part chemical and oil resistant paint. Includes side access door to filters and motor, direct drive Class II BI blower, 4-way adjustable airfoil blade exhaust grille, and (2) 10' long self-supporting E-Z ARM High Flow Extractor arms. Motor wired to junction box outside unit. Motor starters/disconnects NOT included.

**WEIGHT:** 450lbs.

**AIRFLOW:** 2200 CFM  
1700 CFM W/HEPA or V-Bank

**ELECTRICAL:**  HP-3 HP 208-230/460/3/60, 8.0/4.0 amps, std.  
 3 HP 115/230/1/60, 14.5 amps, opt.

**FILTER SEAL:** Ultra-Seal,™ welded picture frame with positive sealing filter locking mechanism for all main filters, HEPA filter and adsorber modules (when used). Slide in tracks shall be used for prefilters only

**PREFILTERS:**  (1) 2" metal mesh, 68% arrestance, std.  
 (1) Chevron Filter, opt.

**MAIN FILTERS:**  (1) 120 ft multi-pocket 95%, std.  
 (1) 65%, opt.

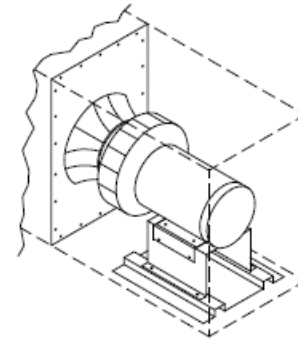
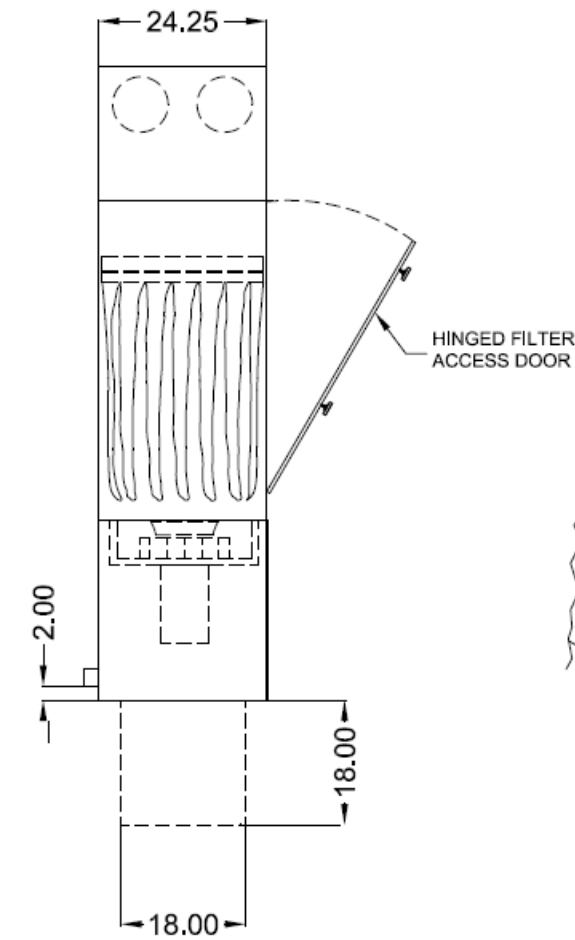
**AFTER FILTERS:**  (1) 4" pleat, followed by a 95%, 66 ft<sup>2</sup>, multi-pocket filter, followed by a 99.97% HEPA filter, opt.

**AD OPTION:**  Std. prefilter followed by a 95%, 66 ft<sup>2</sup> short bag filter, followed by (2) refillable, 25 lb. adsorber modules, followed by a 2" pleat final filter, opt.

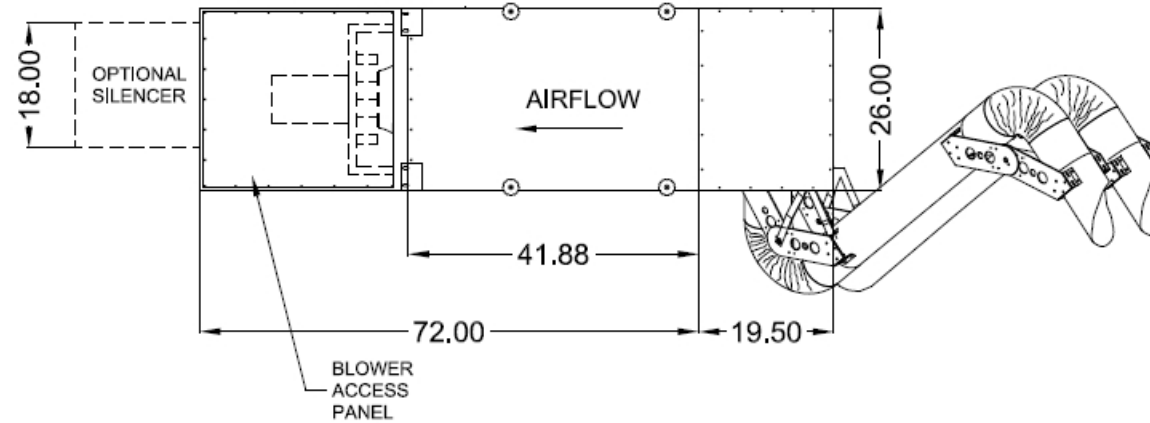
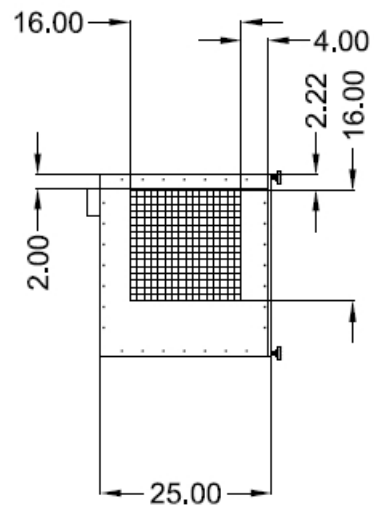
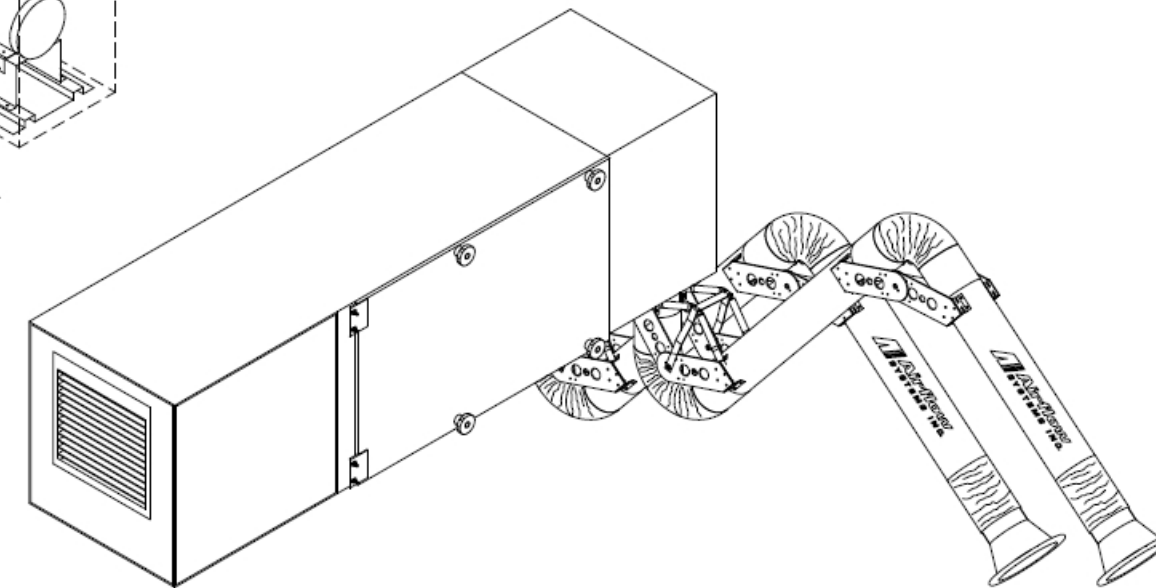
**ARMS:**  (2) E-Z ARM High Flow Extractor, 10 ft., std.  
 (2) E-Z ARM High Flow Extractor, 14 ft., opt.

**OTHER OPTIONS:**  Pressure gauge kit indicates filter changes

\* AFS FILTER EFFICIENCIES BASED ON ASHRAE 52-76 TEST METHOD

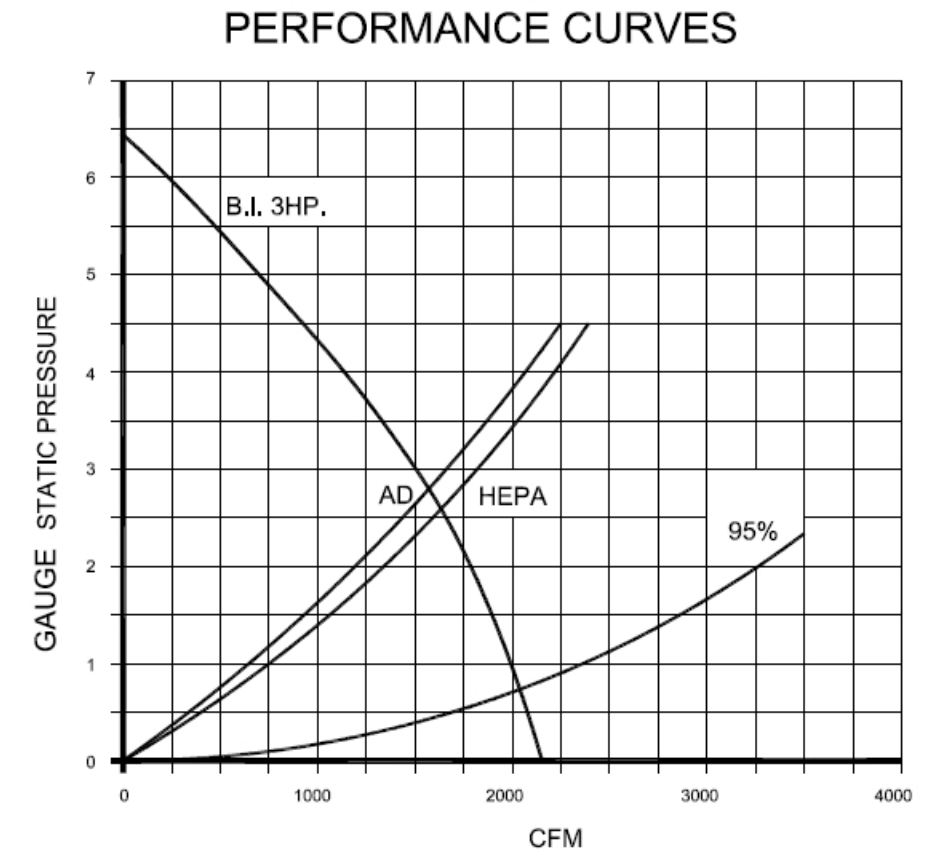


3 HP BI BLOWER



BLOWER ACCESS PANEL

OPTIONAL SILENCER



07-03

CUSTOMER:  
CUSTOMER P.O.:  
PROJECT:  
ENGINEER:  
SALES REP.:  
IDENTIFICATION / TAGGING:

> [www.lev-co.com](http://www.lev-co.com) • 1.888.862.5356

**lev-co**

The device depicted and described hereon embodies proprietary information owned by the manufacturer. All design, manufacturing, reproduction, sales and patent rights regarding this device or drawing reserved except where explicit right is guaranteed in writing. We reserve the right to make design changes.

Drawn by: JANOS-B  
Date: 5/1/2008  
Scale: NTS  
Weight: N/A

07-03 F122

Specification Drawing



Drawing No.: - File Name: (07-03) F122 - SD

Material: Product manufactured by: Sheet: 1/2

**MODELS & OPTIONS**

Part #	Description
<b>Main System / Part</b>	
<input type="checkbox"/> F122	2000 CFM source capture, industrial air cleaner with (2) 10' long E-Z Arm overhead high flow extractors, (1) 2" aluminum mesh prefilter, (1) 95% bag filter (120ft²) 3 HP TEFC motor, 208-230/460/575/3/60Hz (8/4 amps) and a high pressure, Class II, direct drive, BI blower.
<b>Extraction Arms</b>	
<input type="checkbox"/> F122-7E14	(2) 7" E-Z ARM 14' Long Option for Standard F122 Unit
<b>Filter Options (when ordering main unit)</b>	
<input type="checkbox"/> F122-65%	65% Bag Filter Option for Standard F122 Unit
<input type="checkbox"/> F122-2P	2" Polyester Prefilter Option for Standard F122 Unit
<input type="checkbox"/> F122-4P	4" Pleated Prefilter Option for Standard F122 Unit
<input type="checkbox"/> F122-95DOP	95% DOP HEPA Filter Option for Standard F122 Unit
<input type="checkbox"/> F122-AD	AD Module Option for Standard F122 Unit
<input type="checkbox"/> F122-CV	Chevron Filter Option for Standard F122 Unit
<input type="checkbox"/> F122-EC	Easy Clean Bag Filter Option for Standard F122 Unit
<input type="checkbox"/> F122-HEPA	99.97% DOP HEPA Filter Option for Standard F122 Unit
<b>Preventative Maintenance Pressure Gauges, etc. (when ordering main unit)</b>	
<input type="checkbox"/> F122-PG-10	0-10" magna-helic pressure gauge, approximately 5" diameter size. Surface mounted.
<b>Sound Attenuation</b>	
<input type="checkbox"/> F122-S-EXT	Silencer Option for Standard F122 Unit

**07-03**

CUSTOMER:  
 CUSTOMER P.O.:  
 PROJECT:  
 ENGINEER:  
 SALES REP.:  
 IDENTIFICATION / TAGGING:

> [www.lev-co.com](http://www.lev-co.com) • 1.888.862.5356



The device depicted and described hereon embodies proprietary information owned by the manufacturer. All design, manufacturing, reproduction, sales and patent rights regarding this device or drawing reserved except where explicit right is guaranteed in writing. We reserve the right to make design changes.

Drawn by: JANOS-B  
 Date: 5/1/2008  
 Scale: NTS  
 Weight: N/A

**07-03 F122**  
**Specification Drawing**  
 Drawing No.: - File Name: (07-03) F122 - SD  
 Material: Product manufactured by: Sheet: 2/2