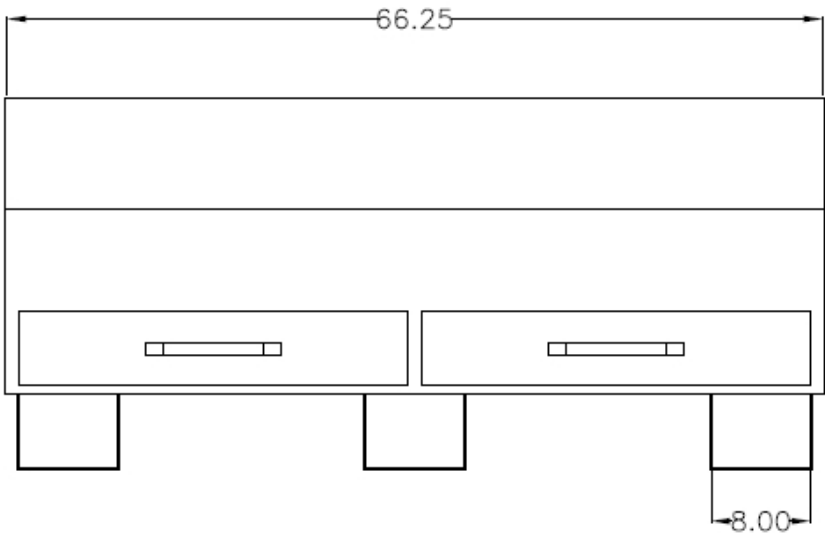


TOP VIEW



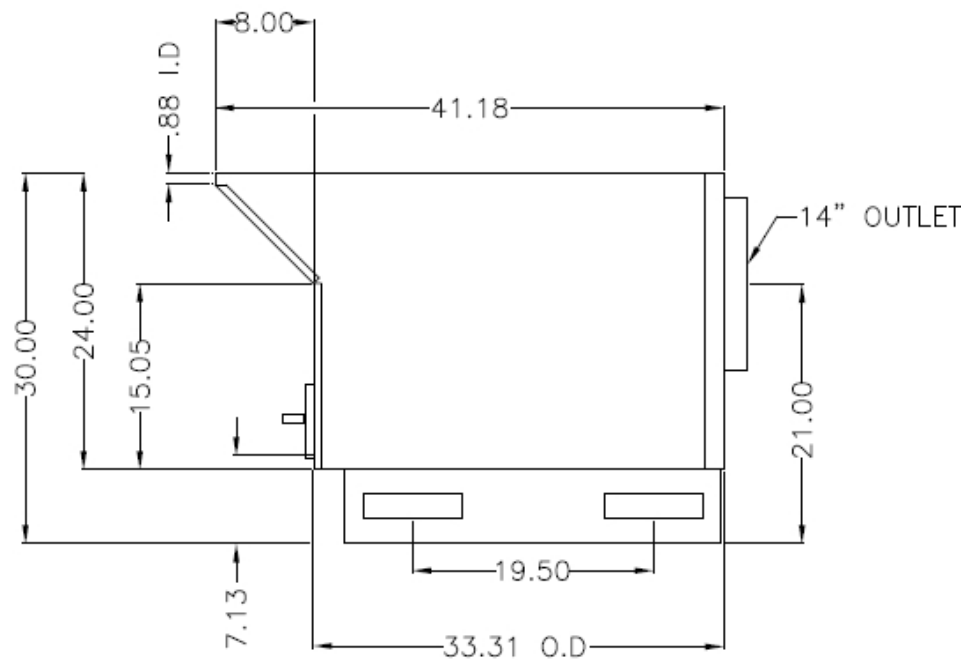
FRONT VIEW

SPECIFICATIONS:

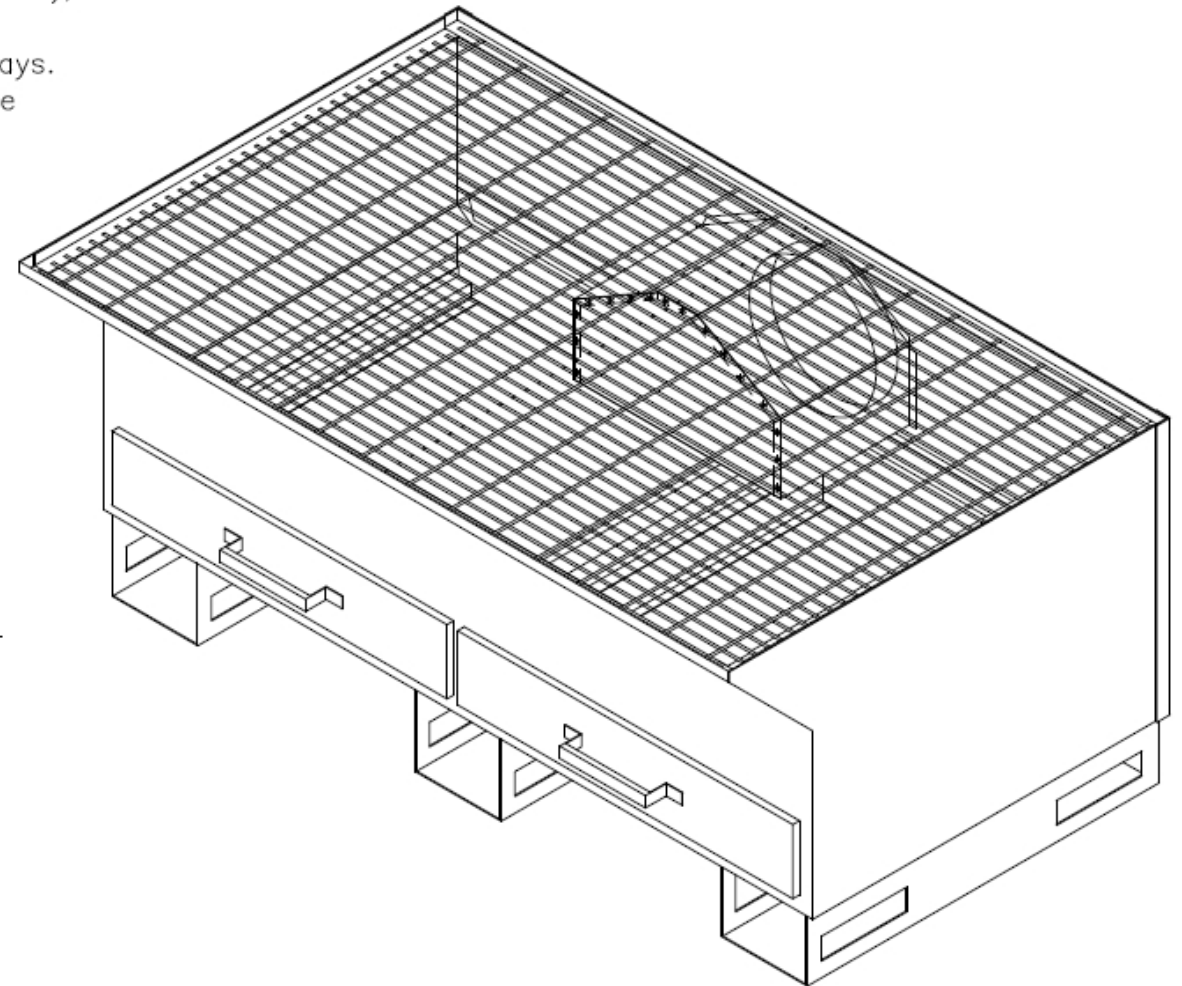
CONSTRUCTION: 14 gauge steel cabinet finished with a 2 part chemical and oil resistant paint, 66.25" x 41.18" work surface with two heavy duty steel grates rated at 300 PSF (max. table loading 1500 lbs.), 30" high, 14" duct connection on back for remote operation, and two removable dust trays. Includes 3 heavy-duty supports that allow the downdraft table to be moved via forklift. Table only—no blower, no filters.

WEIGHT: 356 lbs.

OPTIONS:  Side and back shields



SIDE VIEW



05-12

CUSTOMER:  
 CUSTOMER P.O.:  
 PROJECT:  
 ENGINEER:  
 SALES REP.:  
 IDENTIFICATION / TAGGING:

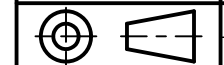
> [www.lev-co.com](http://www.lev-co.com) • 1.888.862.5356

**lev-co**

The device depicted and described hereon embodies proprietary information owned by the manufacturer. All design, manufacturing, reproduction, sales and patent rights regarding this device or drawing reserved except where explicit right is guaranteed in writing. We reserve the right to make design changes.

Drawn by: Janos B  
 Date: 5/1/2008  
 Scale: NTS  
 Weight: N/A

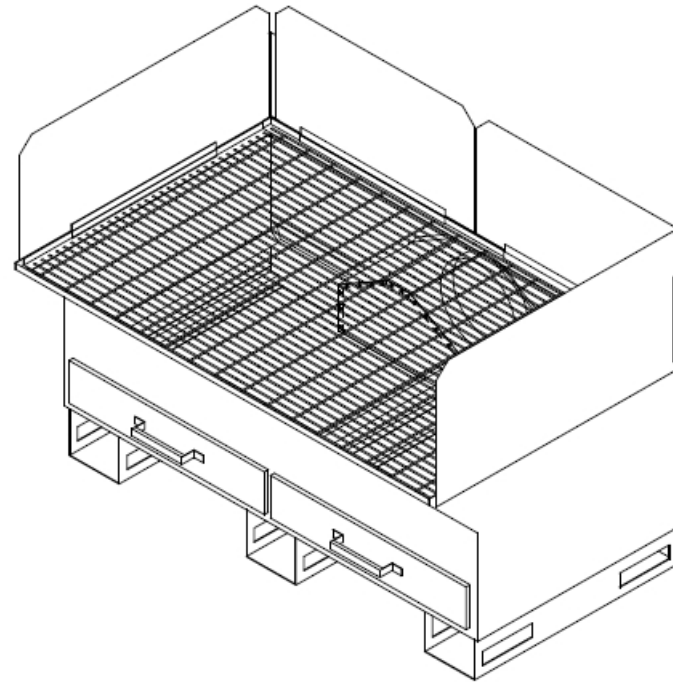
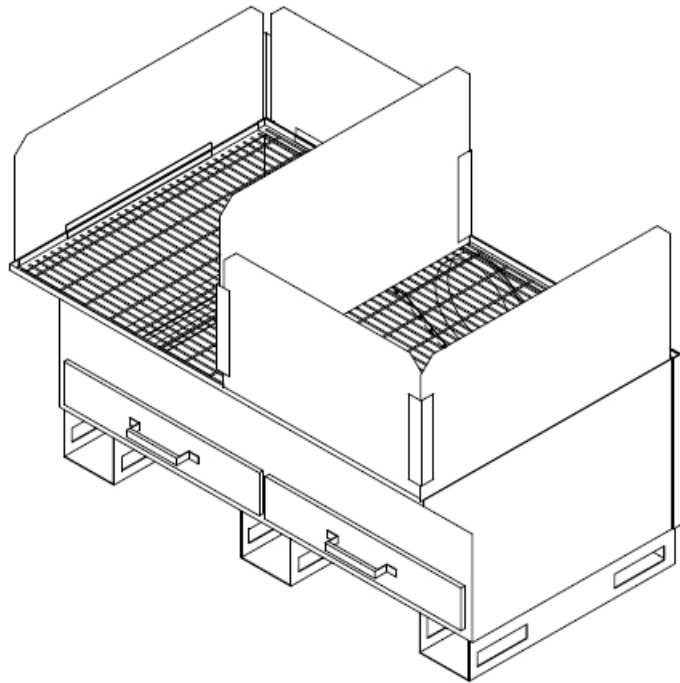
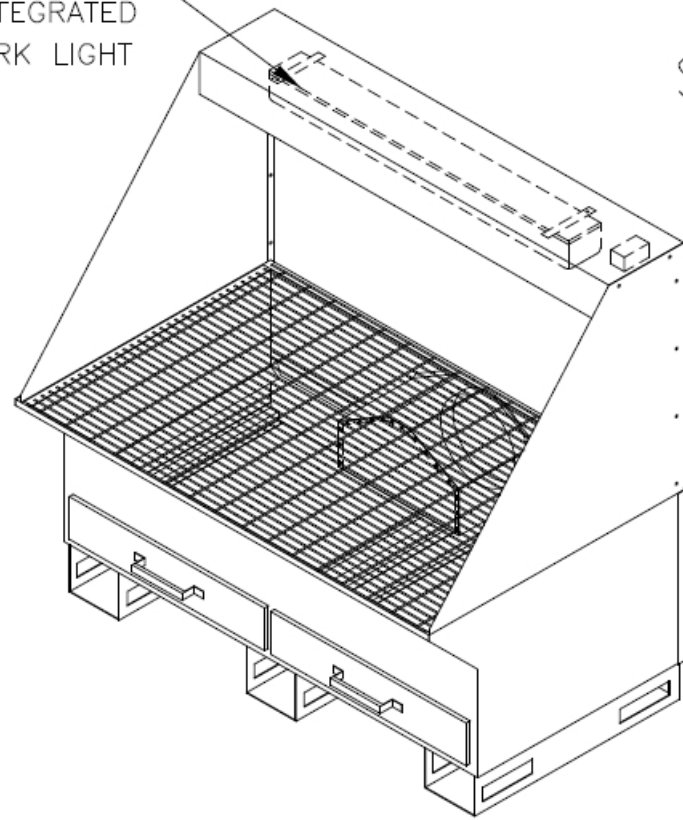
**05-12 DT-35**  
**Downdraft Table**  
 Specification Drawing



Drawing No.: -  
 File Name: (05-12) DT-35 - SD  
 Material:  
 Product manufactured by:  
 Sheet: 1/2

OPTIONAL  
INTEGRATED  
WORK LIGHT

## SIDE SHIELD OPTIONS



### MODELS AND OPTIONS:

Part #	Description
<b>Main System / Part</b>	
<input type="checkbox"/> ___ DT-35	DT-35 downdraft table
<b>Misc. Options</b>	
<input type="checkbox"/> ___ DT35-ALUM	Aluminum Grate Option for Standard DT-35 Unit
<input type="checkbox"/> ___ DT35-BF1	Back fence for one operator using entire table on DT-35 unit. Four (4) interchangeable rear and side panels 18" high. Quick setup and take down.
<input type="checkbox"/> ___ DT35-BF2	24" High Single Center Divider Option for Standard DT-35 Unit
<input type="checkbox"/> ___ DT35-BF3	Enclosed 36" Tall Fence Kit Option for Standard DT-35 Unit
<input type="checkbox"/> ___ DT35-COATED	Vinyl Coated Grate Option for Standard DT-35 Unit
<input type="checkbox"/> ___ DT35-FIBER	Fiberglass Grate Option for Standard DT-35 Unit
<b>Fan, Light &amp; Other Electrical Accessories</b>	
<input type="checkbox"/> ___ DT35-LIGHT	40 watt Dust-Tite Light Option for Standard DT-35 Unit

05-12

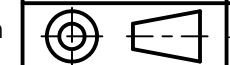
CUSTOMER:  
CUSTOMER P.O.:  
PROJECT:  
ENGINEER:  
SALES REP.:  
IDENTIFICATION / TAGGING:

> [www.lev-co.com](http://www.lev-co.com) • 1.888.862.5356

**lev-co**

The device depicted and described hereon embodies proprietary information owned by the manufacturer. All design, manufacturing, reproduction, sales and patent rights regarding this device or drawing reserved except where explicit right is guaranteed in writing. We reserve the right to make design changes.

Drawn by: Janos B  
Date: 5/1/2008  
Scale: NTS  
Weight: N/A



05-12 DT-35  
Downdraft Table

Specification Drawing

Drawing No.: - File Name: (05-12) DT-35 - SD

Material: Product manufactured by: Sheet: 2/2

DUST COLLECTION • FUME EXTRACTION • OIL MIST FILTRATION • VEHICLE EXHAUST

**Airflow**  
SYSTEMS INC.