

**SPECIFICATIONS:**

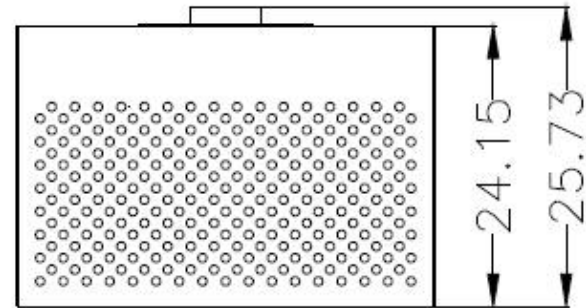
**CONSTRUCTION:** 14/16 Ga. welded zinc coated steel cabinet, finished with a white Powder-Coat finish. Includes easy-seal magnetic covers for easy access to filters, catch pan, on/off switch, acoustically lined blower compartment, and a hinged grate/backsplash with 264, 3/4" diameter holes.

**WEIGHT:** 175 lbs.  
**AIRFLOW:** 800 CFM  
 (STD AIR) 500 CFM W/HEPA or AD Module  
**NOISE:** 66 dBA

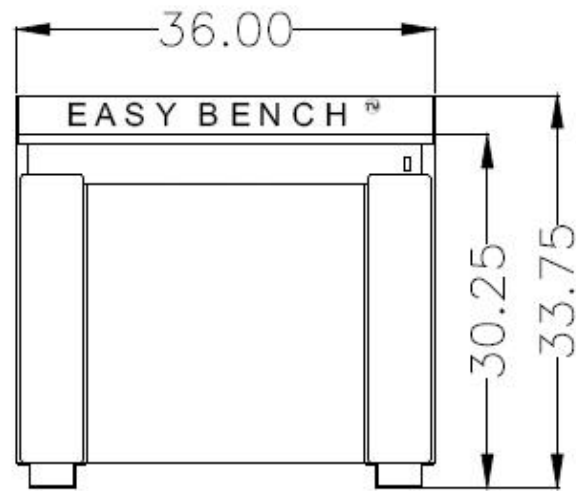
**ELECTRICAL:**  115/1/60, 185 WATTS, std.  
 220/1/50/60, 136 WATTS, opt.

**FIRE SUPPRESSION:** Equipment provided by others.

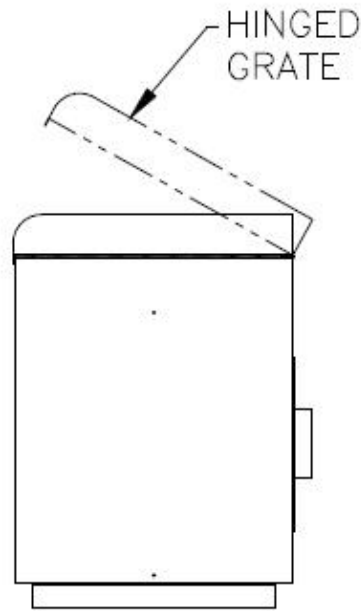
- FILTER COMBINATIONS:**
- (2) 4" MERV 11, std.
  - (2) 2" Poly and 2" MERV 11
  - (Each side must equal 4" of filter)
  - (2) 4" MERV 13, opt.
  - (2) 4" MERV 14, opt.
  - (2) 4" 95% DOP or  4" HEPA
  - (4) 2" Charcoal (includes 1" poly), opt.
  - (2) 3" Refillable charcoal w/ 1" poly, opt.
- ALUM. OPTION:**  (2) 4" 65% pleated filters, aluminum top, casters, and switch located on power cord
- OTHER OPTIONS:**
- 1" High casters
  - 3/4" High feet
  - 3.50" High feet
  - Soft mat cover
  - Lift out catch tray
  - Clear acrylic backsplash extnsn to 16"



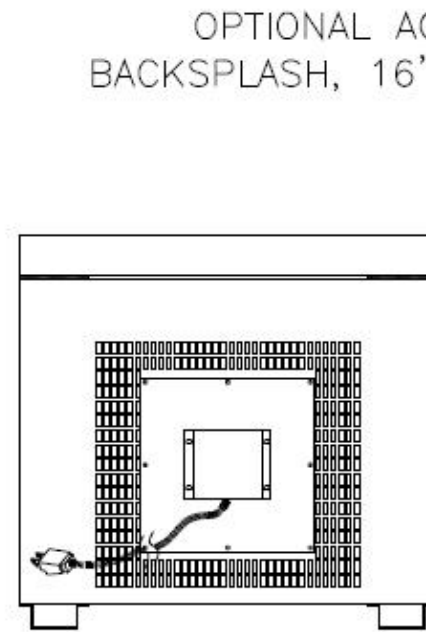
TOP VIEW



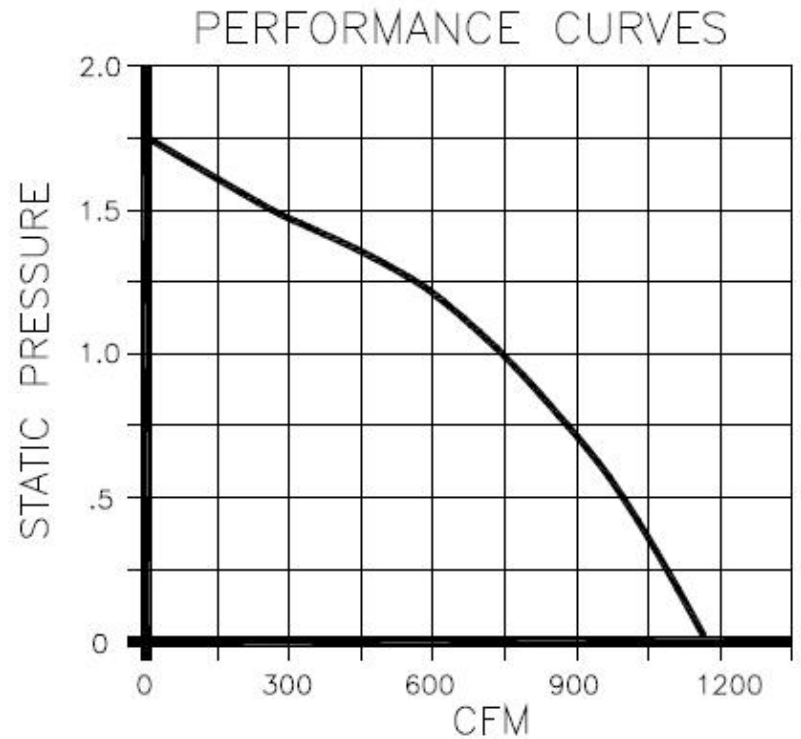
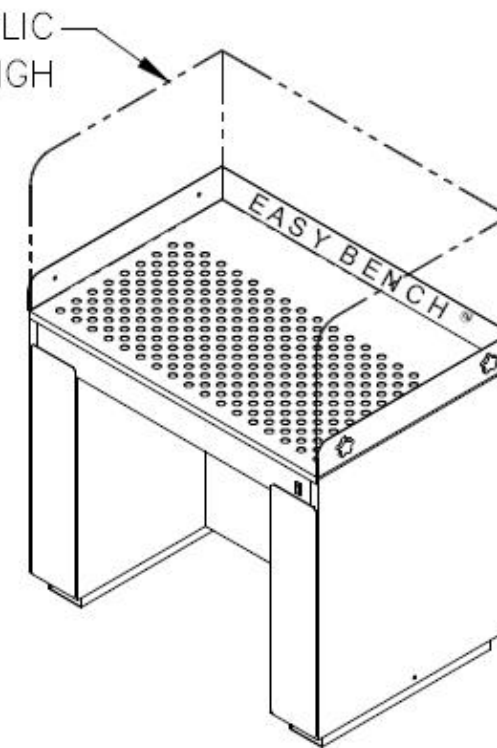
FRONT VIEW



SIDE VIEW



BACK VIEW



05-01

CUSTOMER:	
CUSTOMER P.O.:	
PROJECT:	
ENGINEER:	
SALES REP.:	
IDENTIFICATION / TAGGING:	

> [www.lev-co.com](http://www.lev-co.com) • 1.888.862.5356

**lev-co**

The device depicted and described hereon embodies proprietary information owned by the manufacturer. All design, manufacturing, reproduction, sales and patent rights regarding this device or drawing reserved except where explicit right is guaranteed in writing. We reserve the right to make design changes.

Drawn by:	Janos B
Date:	5/1/2008
Scale:	NTS
Weight:	N/A

<b>05-01 EASY BENCH</b>	
<b>Downdraft Table</b>	
<b>Specification Drawing</b>	
Drawing No.:	File Name: (05-01) Easy Bench - SD
Material:	Product manufactured by:
Sheet: 1/2	

**MODELS & OPTIONS:**

Part #	Description
<b>Main System / Part</b>	
<input type="checkbox"/> ___ PFDT	Downdraft Table, 36"W x 24"D designed for the operator. Rated at 800 CFM with MERV11 filters. All aluminum backward centrifugal curved blower wheel, rated UL, CSA.
<input type="checkbox"/> ___ PFDT-AL	Downdraft Table, for Aluminum application. Deletes Steel bench top, add Aluminum bench top, relocate switch to POWER CORD, 2-4" 65% filter in place of MERV 11 with Casters.
<b>Misc. Options (when ordering main unit)</b>	
<input type="checkbox"/> ___ PFDT-HEPA	2-each 99.97% Metal frame HEPA filters with lock in place filter system, in place of MERV11 filters. (2AU4-9710)
<input type="checkbox"/> ___ PFDT-28" HEIGHT	Reduce Table height from 30" to 28.5".
<input type="checkbox"/> ___ PFDT-32	Raise Table height from 30" (Standard) to 32".
<input type="checkbox"/> ___ PFDT-MAT	Soft Mat cover over standard grate. Raises Table Top 1/2 inch.
<input type="checkbox"/> ___ PFDT-AD	2-each Odor adsorption filters with lock in place filter system, in place of MERV11 filters. Filter is made up of charcoal impregnated media.
<input type="checkbox"/> ___ PFDT-CASTERS	4 ball casters, keeps height at 30"
<input type="checkbox"/> ___ PFDT-BF1	Clear 1-piece 3-sided Polycarbonate Backsplash, 16" high.
<input type="checkbox"/> ___ PFDT-MERV13	MERV13 filters in place of MERV11 standard filters
<input type="checkbox"/> ___ PFDT-MERV14	MERV14 filters in place of MERV11 standard filters

05-01

CUSTOMER:  
 CUSTOMER P.O.:  
 PROJECT:  
 ENGINEER:  
 SALES REP.:  
 IDENTIFICATION / TAGGING:



The device depicted and described hereon embodies proprietary information owned by the manufacturer. All design, manufacturing, reproduction, sales and patent rights regarding this device or drawing reserved except where explicit right is guaranteed in writing. We reserve the right to make design changes.

Drawn by: Janos B  
 Date: 5/1/2008  
 Scale: NTS  
 Weight: N/A

**05-01 EASY BENCH  
 Downdraft Table**  
 Specification Drawing

Drawing No.: - | File Name: (05-01) Easy Bench - SD  
 Material: | Product manufactured by: | Sheet: 2/2

