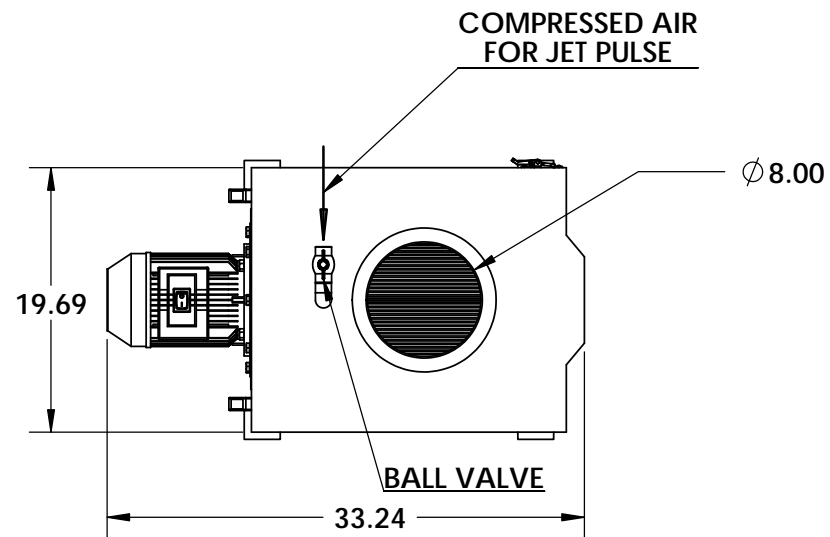
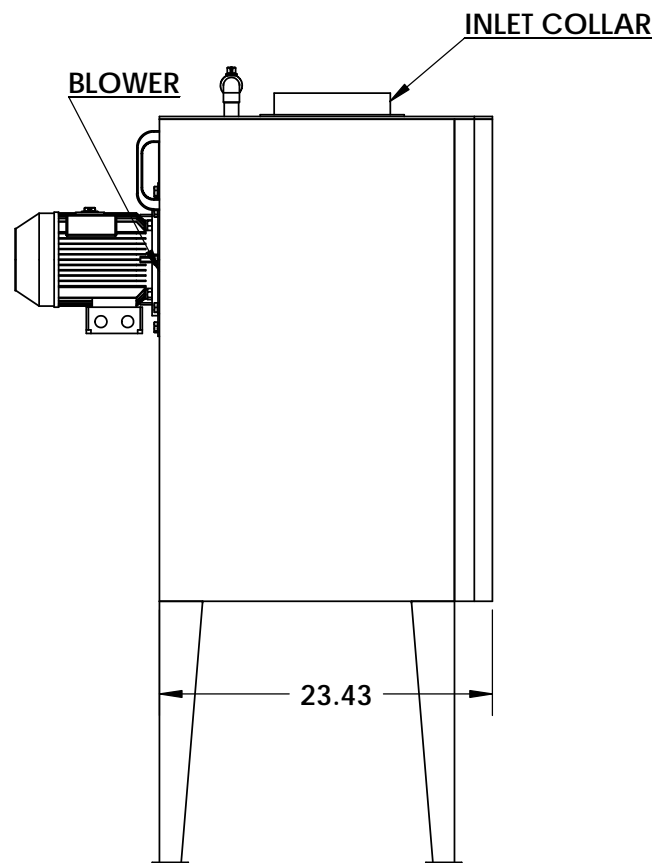


TOP VIEW



SIDE VIEW

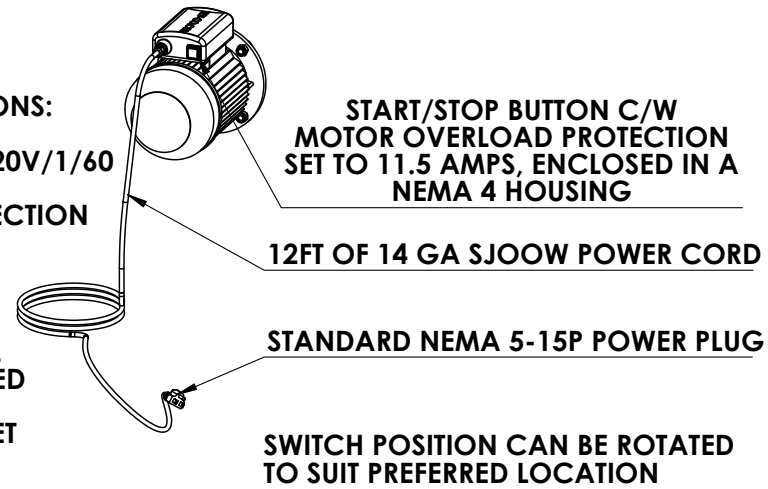


MOTOR SPECIFICATIONS:

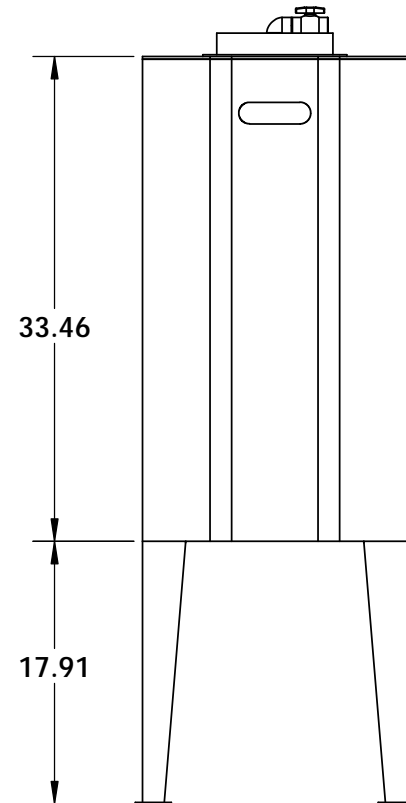
1100 WATTS/1.5HP/120V/1/60
FLA: 10.2 AMPS
OVERCURRENT PROTECTION INCLUDED

NOTES:

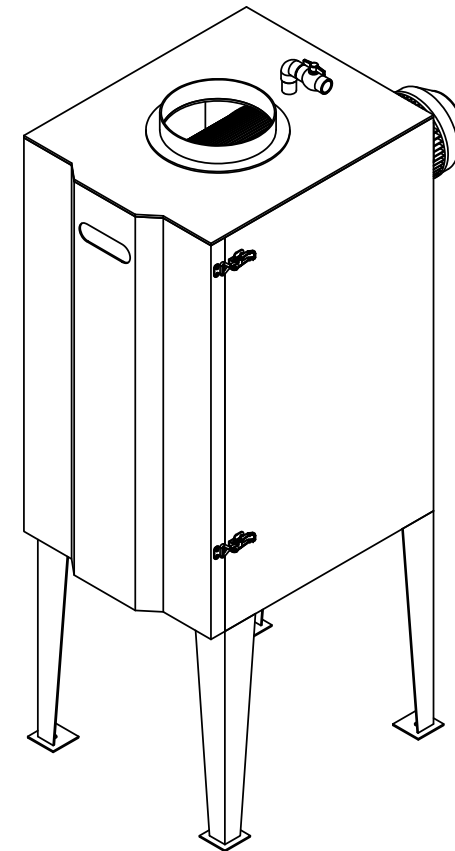
1. NO ADDITIONAL PROTECTION REQUIRED
2. SWITCHED OUTLET MAY BE PREFERRED DEPENDING ON UNIT LOCATION



FRONT VIEW



ISOMETRIC VIEW



03-061

Specifications:

Blower packages:
- 1phase/1.5 HP/115V/60Hz

Construction:
- 12/14/16 ga. welded steel, powder coated cabinet

Nominal CFM:
- 1400 CFM "Free-Blowing"

Filtration:
- With up to 99,9% filter efficiency the CFECO Cartridge Filters will clean the premises of welding fumes and light grinding dust. The cleaned air is recirculated into the premises, with no heat loss at all. The access to the "maintenancefree" replaceable cartridge filter is easy and changing it takes just a couple of minutes.

CUSTOMER:	
CUSTOMER P.O.:	
PROJECT:	
ENGINEER:	
SALES REP.:	
IDENTIFICATION / TAGGING:	

> www.lev-co.com • 1.888.862.5356

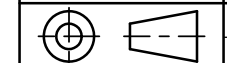
lev-co

The device depicted and described hereon embodies proprietary information owned by the manufacturer. All design, manufacturing, reproduction, sales and patent rights regarding this device or drawing reserved except where explicit right is guaranteed in writing. We reserve the right to make design changes.

Drawn by:	Janos-B
Date:	11/4/2014
Scale:	NTS
Weight:	N/A

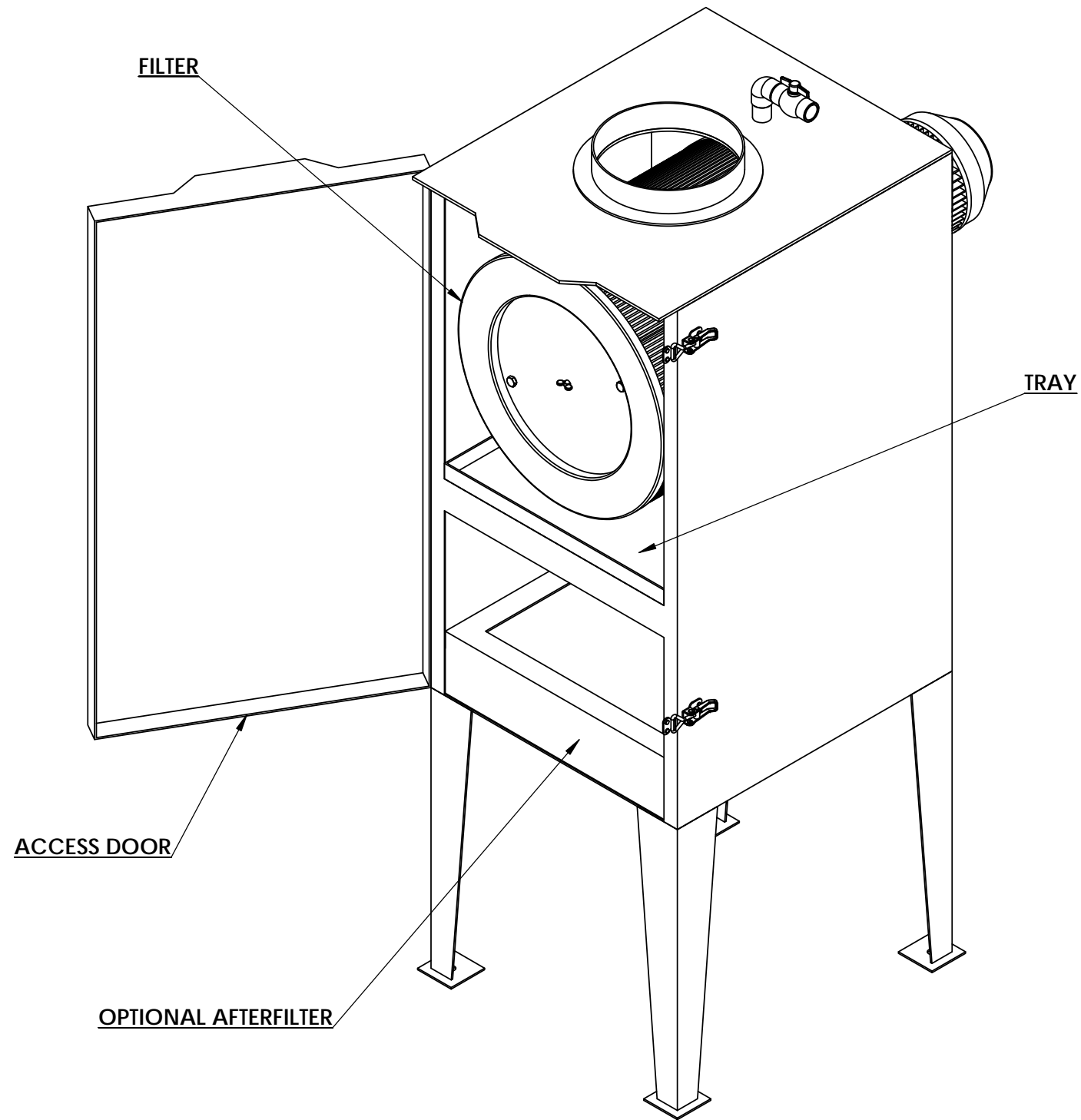
03-061 CF-ECO

Specification Drawing



Drawing No.:	-	File Name:	CF-ECO - SD
Material:	-		

Sheet: 1/2



MAIN FILTER BOX DIMENSIONS:

WIDTH: 18-1/16" DEPTH: 14-7/16" HEIGHT: 16-3/4"

OPTIONAL AFTERFILTER BOX DIMENSIONS:

WIDTH: 18-1/16" DEPTH: 20-1/4" HEIGHT: 12-3/4"

Models and Options:

Main System / Part

- [CF-ECO-1](#) CF-ECO c/w 1HP 115/1/60 motor

03-061

CUSTOMER:
CUSTOMER P.O.:
PROJECT:
ENGINEER:
SALES REP.:
IDENTIFICATION / TAGGING:

> www.lev-co.com • 1.888.862.5356

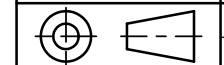


The device depicted and described hereon embodies proprietary information owned by the manufacturer. All design, manufacturing, reproduction, sales and patent rights regarding this device or drawing reserved except where explicit right is guaranteed in writing. We reserve the right to make design changes.

Drawn by:	Janos-B
Date:	11/4/2014
Scale:	NTS
Weight:	N/A

03-061 CF-ECO

Specification Drawing



Drawing No.:	-	File Name:	CF-ECO - SD
Material:	-	Sheet:	2/2