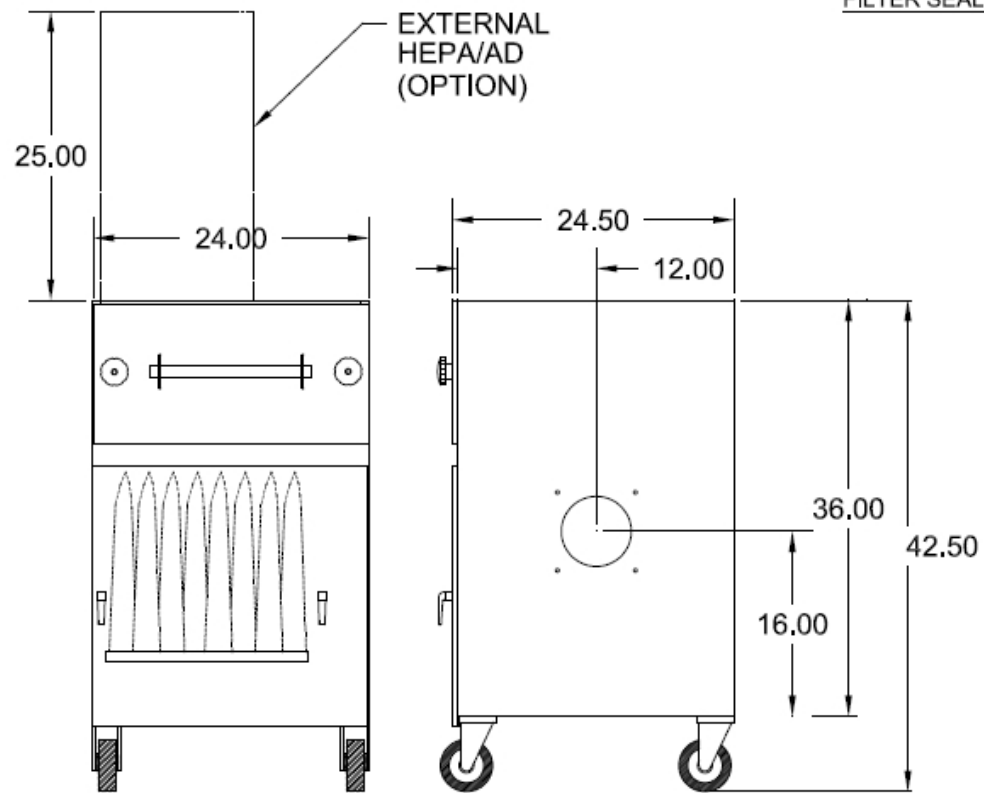
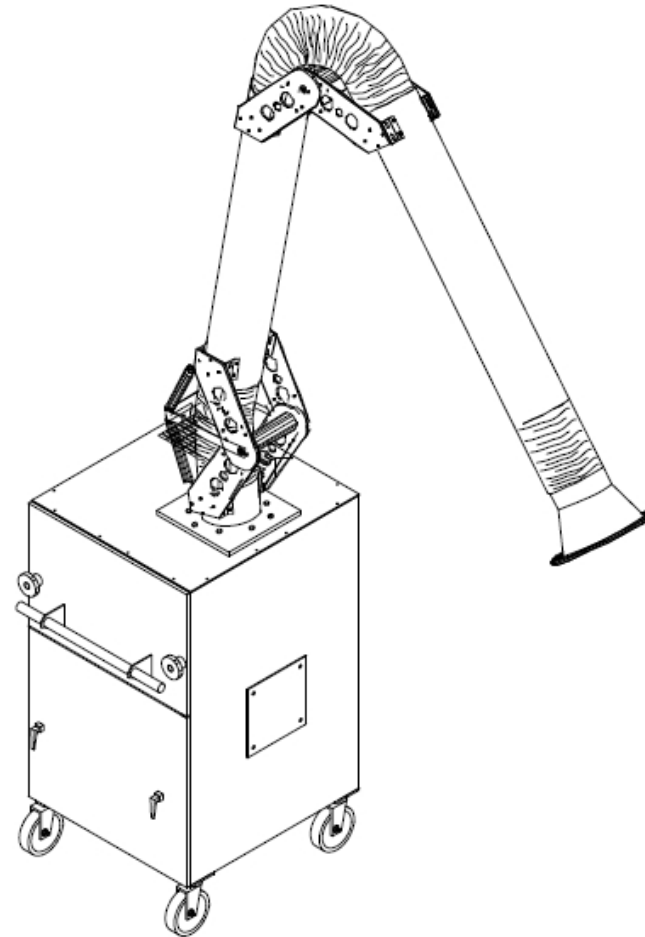


TOP VIEW



FRONT VIEW

SIDE VIEW



**CONSTRUCTION:** 16 Gauge painted steel cabinet with Ultra-Seal filter mounting system, slide access door to filters and direct drive motor/blower. Includes 7' externally self-supported E-Z ARM High Flow Extractor arm, 5" casters, power cord, and on-off switch. Motor wired to junction box outside unit. (Motor starters/disconnects not included. Opt. only).

**WEIGHT:** 203 lbs.  
**AIRFLOW:** 560 CFM, std. ; 650 CFM, 1 HP opt.  
 (STD AIR) 450 CFM with HEPA/AD opt.

**NOISE:** 66dBA, 68dBA 1 HP

**ELECTRICAL:**  3/4 HP 115/208-230/1/60, 12.2/6.1 amps, std.  
 1 HP, 208-230/460/3/60/50, 3.2-3.6/1.6-1.8 amps, opt.  
 1 HP, 115/208-230/1/60/, 12.0/8.0 amps, opt.  
 High Pressure 1 HP, 1 or 3 phase, opt.

**FILTER SEAL:** Ultra-Seal, welded picture frame with positive sealing filter locking mechanism for all main filters, HEPA filter and adsorber modules (where used). Slide in tracks shall be used for prefilters only.

**SPECIFICATIONS:**

**PREFILTERS:**  (1) 2" Aluminum mesh, std.  
 (1) Oil mist louver, opt.

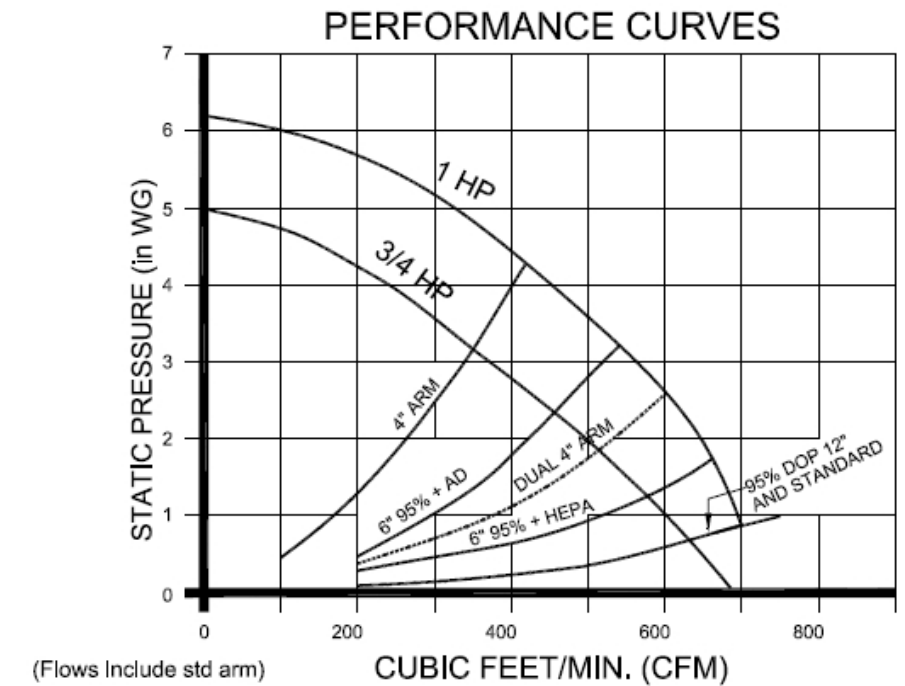
**MAIN FILTERS:**  (1) 28 ft multi-pocket filter, 95%, Std.  
 (1) 95% cartridge filter, 21 ft., followed by an Internal 95% D.O.P., opt.  
 (1) 95% cartridge filter, 21 ft., followed by an Internal 99.97% HEPA filter, opt.  
 (1) Polyester shaker bag, opt.

**HEPA OPTIONS:**  (1) 95% cartridge filter, 21 ft., followed by an Internal 99.97% HEPA filter, opt.  
 (1) External HEPA filter, 99.97%, opt.  
 (1) 95% D.O.P. HEPA, opt.

**AD OPTION:**  (1) 95% cartridge filter, 21 ft., followed by an 18 lb., refillable, Internal adsorber module, opt.  
 (1) External ad., 25 lb. capacity, opt.

**OTHER OPTIONS:**  Big wheel kit  
 Pressure gauge kit indicates filter changes  
 10' E-Z ARM High Flow Extractor  
 8' x 4" dia E-Z ARM High Flow Extractor  
 Dual 8' x 4" dia E-Z ARM High Flow Extractor

\* AFS FILTER EFFICIENCIES BASED ON ASHRAE 52-76 TEST METHOD  
 \*\* ALL FLOWS STANDARD AIR AND FILTERS UNLESS OTHERWISE INDICATED



02-07

CUSTOMER:  
 CUSTOMER P.O.:  
 PROJECT:  
 ENGINEER:  
 SALES REP.:  
 IDENTIFICATION / TAGGING:

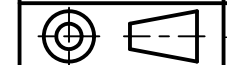
> [www.lev-co.com](http://www.lev-co.com) • 1.888.862.5356

**lev-co**

The device depicted and described hereon embodies proprietary information owned by the manufacturer. All design, manufacturing, reproduction, sales and patent rights regarding this device or drawing reserved except where explicit right is guaranteed in writing. We reserve the right to make design changes.

Drawn by: Janos B  
 Date: 5/1/2008  
 Scale: NTS  
 Weight: N/A

**02-07 MINI-PAC  
 PORTABLE DUST COLLECTOR**  
 Specification Drawing



Drawing No.: - File Name: (02-07) MiniPac - SD  
 Material: Product manufactured by: Sheet: 1/2

**MODELS & OPTIONS:**

Part # Description

**Main System / Part**

- MINI-PAC 550 CFM Portable air cleaner with E-Z ARM®, 7' long arm, includes 2" mesh prefilter, 95% bag filter, 28 sq. ft., ¼ HP TEFC motor, 115/230/1/60, 10.4/5.2a.
- MINI-PAC-4 350 CFM Portable air cleaner with E-Z ARM®, 4" x 8' L support arm, includes 2" mesh prefilter, 95% bag filter, 28 sq. ft., ¼ HP TEFC motor, 115/230/1/60, 10.4/5.2a.

**Fan / Motor Upgrades or Options (when ordering main unit)**

- MINIPAC-3 PHASE 1 Hp 3 Phase TEFC Motor, 208-230/460/575/3/60Hz Option for Standard MINI-PAC Unit
- MINIPAC-HP 1HP 1 Phase or 3 Phase High Pressure Option for Standard MINI-PAC Unit
- MINIPAC-GRPE Group "E" motor/blower with switch adder for MINI-PAC. 1HP, 110V/1/60.
- MINIPAC-1.5HP-1ph 1.5 TEFC motor, 115/208-230/1/60Hz (15/7.9-7.5 amps) with high pressure blower and acoustical lining.

**Extraction Arms**

- MINI-PAC-DA-4 Two (2) 8' long 4" diameter E-Z Arm II Down-Flange high flow extractors in place of 7' long E-Z Arm high flow extractor.
- MINI-PAC-7E10-DD 7" E-Z ARM 10' Long Option for Standard MINI-PAC Unit

**Filter Options (when ordering main unit)**

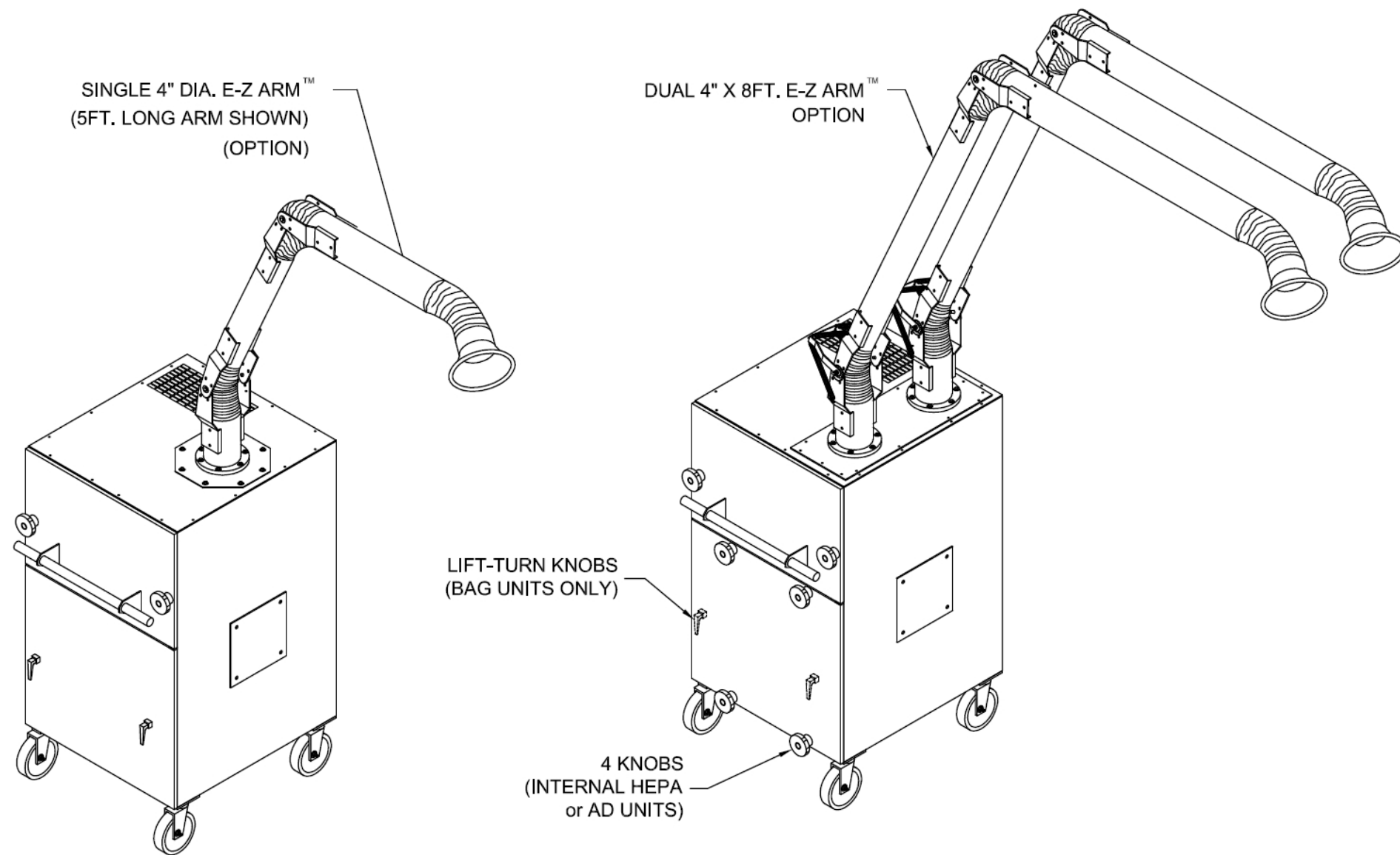
- MINIPAC-2P 2" Polyester Filter Option for Standard MINI-PAC Unit
- MINIPAC-95DOP Internal 95% DOP Filter Option for Standard MINI-PAC Unit
- MINIPAC-AD Internal AD Module Option for Standard MINI-PAC Unit
- MINIPAC-EXAD External AD Filter Option for Standard MINI-PAC Unit
- MINIPAC-EXHE External 99.97% HEPA Filter Option for Standard MINI-PAC Unit
- MINIPAC-HEPA Internal 99.97% HEPA Filter Option for Standard MINI-PAC Unit
- MINIPAC- Shaker Bag Option for Standard MINI-PAC Unit

**Preventative Maintenance Pressure Gauges, etc. (when ordering main unit)**

- MINIPAC-PG-6 0-6" magnahelic pressure gauge, approximately 5" diameter size. Surface mounted.

**Sound Attenuation**

- MINIPAC-S Acoustic Lining Silencer Option for Standard MINI-PAC Unit
- MINIPAC-S-EXT External Silencer Option for Standard MINI-PAC Unit



02-07

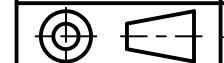
CUSTOMER:  
 CUSTOMER P.O.:  
 PROJECT:  
 ENGINEER:  
 SALES REP.:  
 IDENTIFICATION / TAGGING:

> [www.lev-co.com](http://www.lev-co.com) • 1.888.862.5356

**lev-co**

The device depicted and described hereon embodies proprietary information owned by the manufacturer. All design, manufacturing, reproduction, sales and patent rights regarding this device or drawing reserved except where explicit right is guaranteed in writing. We reserve the right to make design changes.

Drawn by: Janos B  
 Date: 5/1/2008  
 Scale: NTS  
 Weight: N/A



**02-07 MINI-PAC  
 PORTABLE DUST COLLECTOR**  
 Specification Drawing

Drawing No.: - File Name: (02-07) MiniPac - SD  
 Material: Product manufactured by: Sheet: 2/2