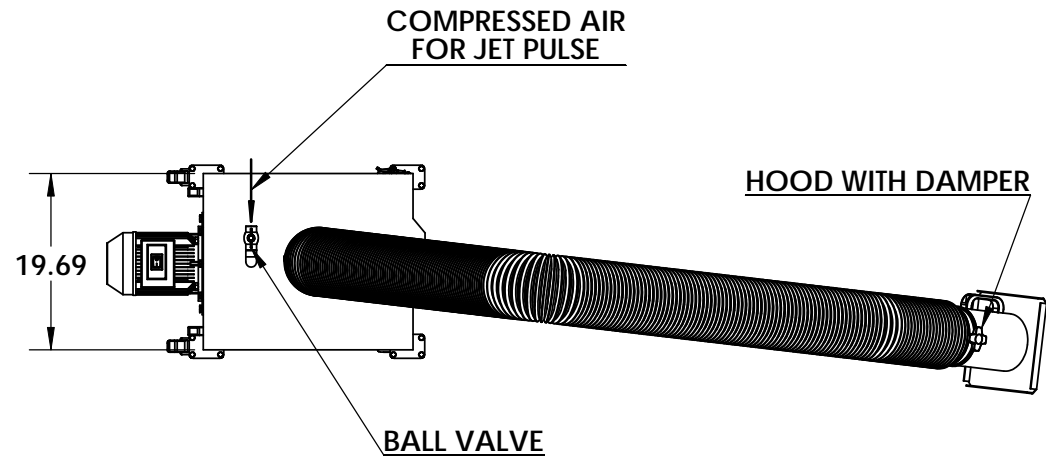


TOP VIEW

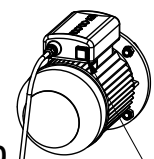


MOTOR SPECIFICATIONS:

1100 WATTS/1.5HP/120V/1/60
FLA: 10.2 AMPS
OVERCURRENT PROTECTION INCLUDED

NOTES:

1. NO ADDITIONAL PROTECTION REQUIRED
2. SWITCHED OUTLET MAY BE PREFERRED DEPENDING ON UNIT LOCATION



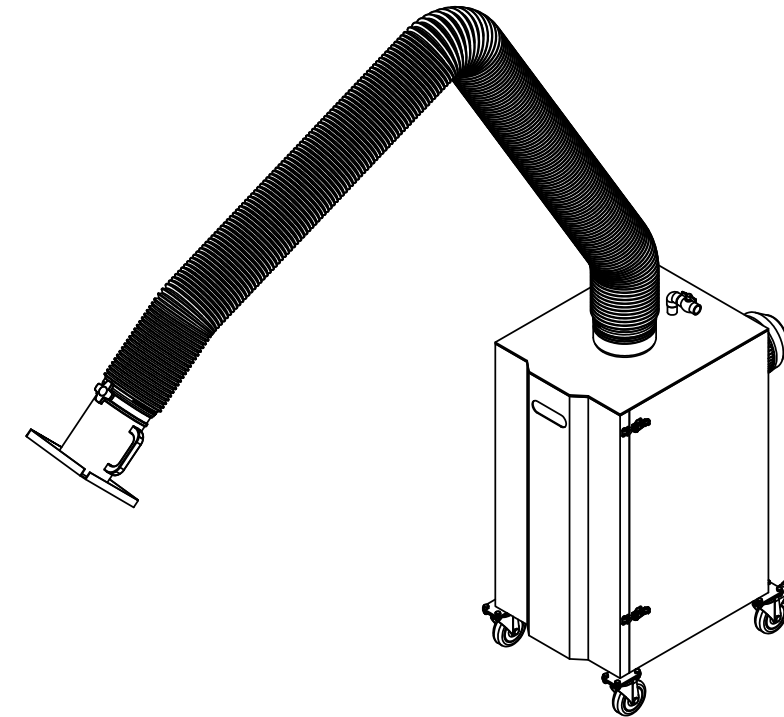
START/STOP BUTTON C/W MOTOR OVERLOAD PROTECTION SET TO 11.5 AMPS, ENCLOSED IN A NEMA 4 HOUSING

12FT OF 14 GA SJOOW POWER CORD

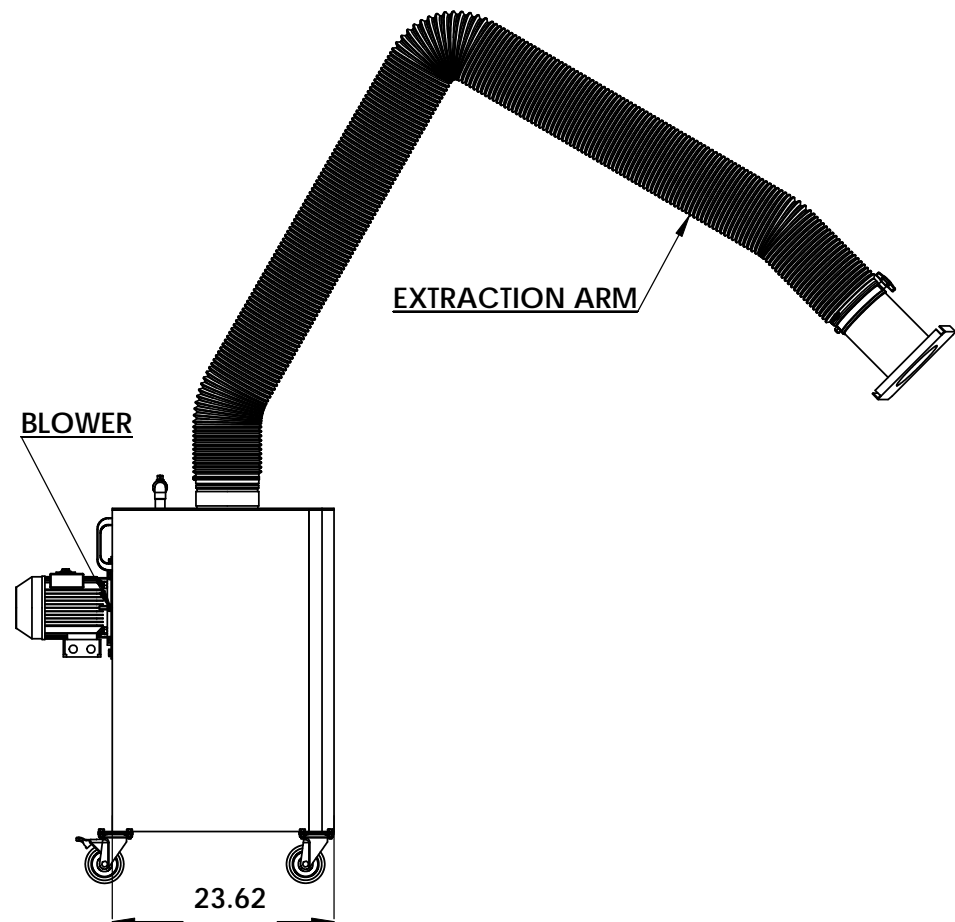
STANDARD NEMA 5-15P POWER PLUG

SWITCH POSITION CAN BE ROTATED TO SUIT PREFERRED LOCATION

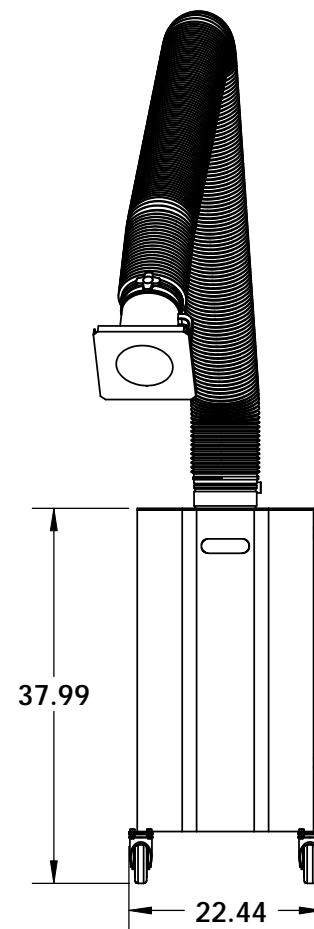
ISOMETRIC VIEW



SIDE VIEW



FRONT VIEW



02-013

Specifications:

Construction:
- 12/14/16 ga. welded steel, powder coated cabinet

Nominal CFM:
- 1400 CFM "Free-Blowing"

Extraction arm options:
- Ø6.5" diameter 10' long Flexi-I arm
- Ø6.5" diameter 10' long Flexi-I arm
- Without extractor arm

Filtration:
- With up to 99,9% filter efficiency the Mobi-Flex Cartridge Filters will clean the premises of welding fumes and light grinding dust. The cleaned air is re-circulated into the premises, with no heat loss at all. The access to the "maintenance-free" replaceable cartridge filter is easy and changing it takes just a couple of minutes.

CUSTOMER:	
CUSTOMER P.O.:	
PROJECT:	
ENGINEER:	
SALES REP.:	
IDENTIFICATION / TAGGING:	

> www.lev-co.com • 1.888.862.5356

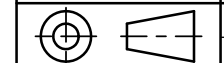
lev-co

The device depicted and described hereon embodies proprietary information owned by the manufacturer. All design, manufacturing, reproduction, sales and patent rights regarding this device or drawing reserved except where explicit right is guaranteed in writing. We reserve the right to make design changes.

Drawn by:	Janos B
Date:	11/4/2010
Scale:	NTS
Weight:	N/A

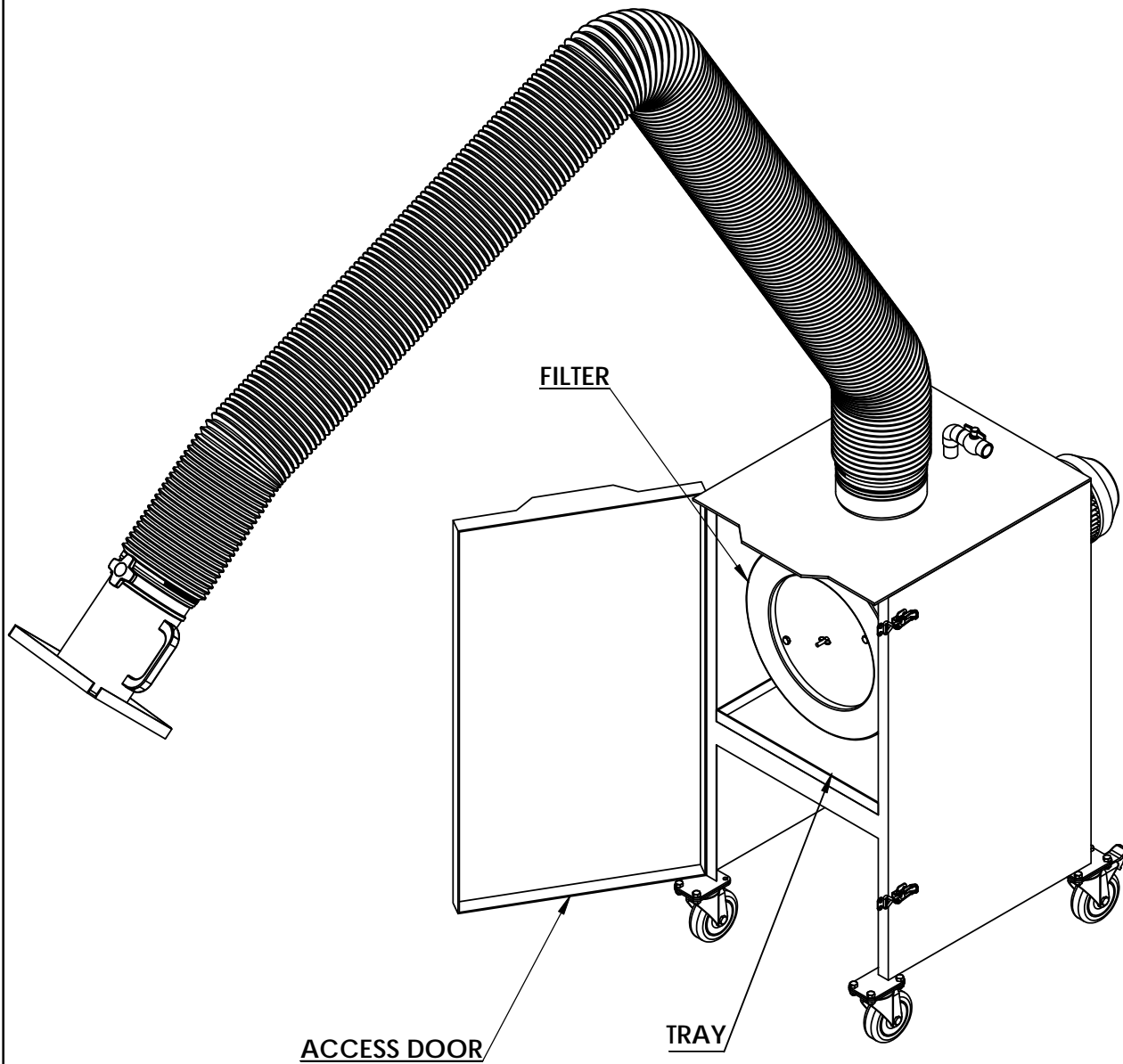
02-013 ROLL-FLEX-ECO

Specification Drawing



Drawing No.:	-	File Name:	MOBI-FLEX-ECO - SD
Material:	-	Sheet:	1/2

Models and Options:



02-013

- | Main System / Part | Part # | Description |
|--|--------------------------------|--|
| <input type="checkbox"/> | RF-SCF-10 | Self-Cleaning ROLL FLEX cartridge filter; 1.1 kw (1.5hp), 120 V, 1400 CFM Complete with 3m (10') Extraction Arm.
AS PER CANADIAN LAW; this unit is electrically approved by CSA/ESA field evaluation prior to shipping. |
| <input type="checkbox"/> | RF-SCF-7 | Self-Cleaning ROLL FLEX cartridge filter; 1.1 kw (1.5hp), 120 V, 1400 CFM Complete with 2m Extraction Arm.
AS PER CANADIAN LAW; this unit is electrically approved by CSA/ESA field evaluation prior to shipping. |
| Main System - Table Mounted Extraction Arms 6.5" and 8"Ø | | |
| <input type="checkbox"/> | P-005 | 5m (17ft) extraction arm D-160mm
5m (16') Flexi 160mm (6.5)Ø Extraction arm for mounting to horizontal Surface (EG: Mobi Flex, Table, etc.) |
| Hood Options | | |
| <input type="checkbox"/> | SM-200 | Safety mesh for Flexi extraction arms and P-Max Fans. |
| Filter Options | | |
| <input type="checkbox"/> | C-RF-SCF-36 | Carbon filter kit for RF-SCF filters. Holds 36 lbs. of activated carbon |
| Preventative Maintenance Pressure Gauges, etc. (when ordering main unit) | | |
| <input type="checkbox"/> | LEV-MC-PG-10 | Pressure Gauge - complete with Wall, Ceiling or table mounting bracket and 0-10 pressure gauge. 3/16 inside diameter tubing ordered separately. |
| <input type="checkbox"/> | LEV-MC-PG-5 | Pressure Gauge - complete with Wall, Ceiling or table mounting bracket and 0-5 pressure gauge. 3/16 inside diameter tubing ordered separately. |
| Replacement filters - (Quantity discounts available upon request) | | |
| <input type="checkbox"/> | P-150-535-HEPA | Replacement HEPA After Filter for Mobi & Wall Flex |
| <input type="checkbox"/> | P-541 | Main Filter for "Self Cleaning" filter units (RF-SC, CF-ECO, Sledge-hammer, MF-ECO & WF-SC) |
| <input type="checkbox"/> | P-544-K | 99.97% Hepa After Filter Kit For RF-SCF and WF-SCF models |
| <input type="checkbox"/> | PRE-COAT-5 | 5lb bag of pre-coat |

CUSTOMER:
 CUSTOMER P.O.:
 PROJECT:
 ENGINEER:
 SALES REP.:
 IDENTIFICATION / TAGGING:

> www.lev-co.com • 1.888.862.5356

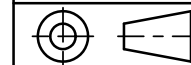
lev-co

The device depicted and described hereon embodies proprietary information owned by the manufacturer. All design, manufacturing, reproduction, sales and patent rights regarding this device or drawing reserved except where explicit right is guaranteed in writing. We reserve the right to make design changes.

Drawn by: Janos B
 Date: 11/4/2010
 Scale: NTS
 Weight: N/A

02-013 ROLL-FLEX-ECO

Specification Drawing



Drawing No.: -
 Material: -
 File Name: MOBI-FLEX-ECO - SD
 Sheet: 2/2