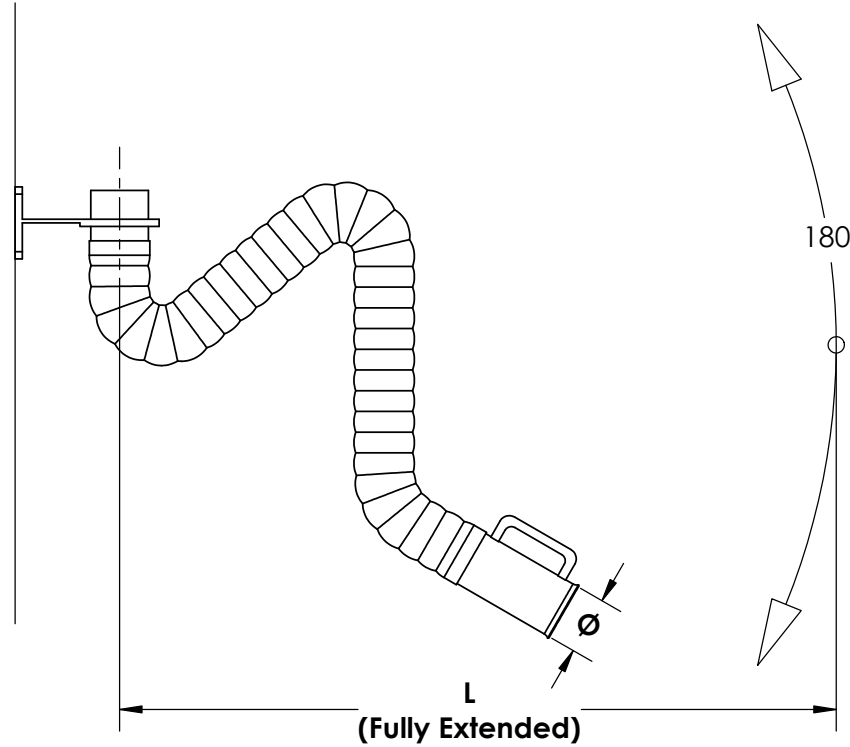
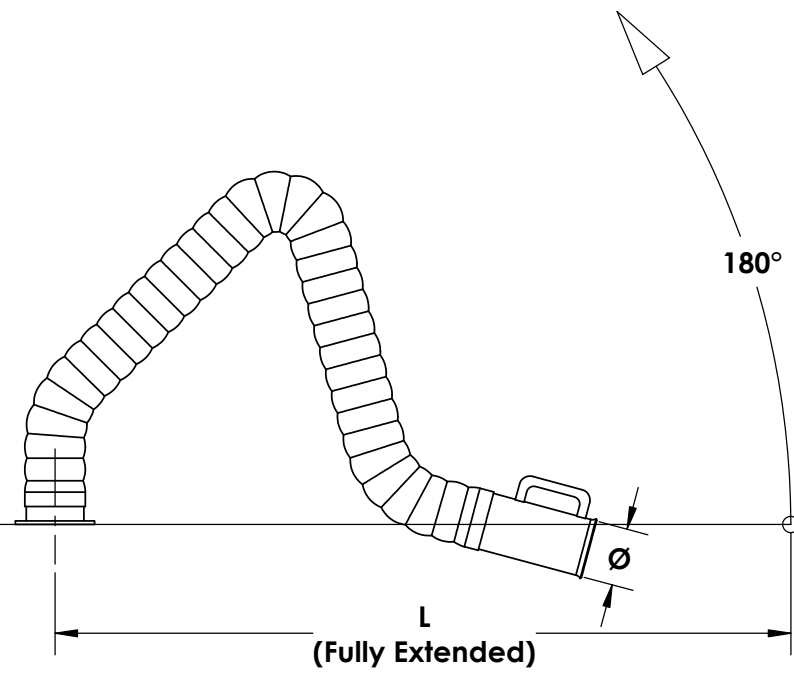
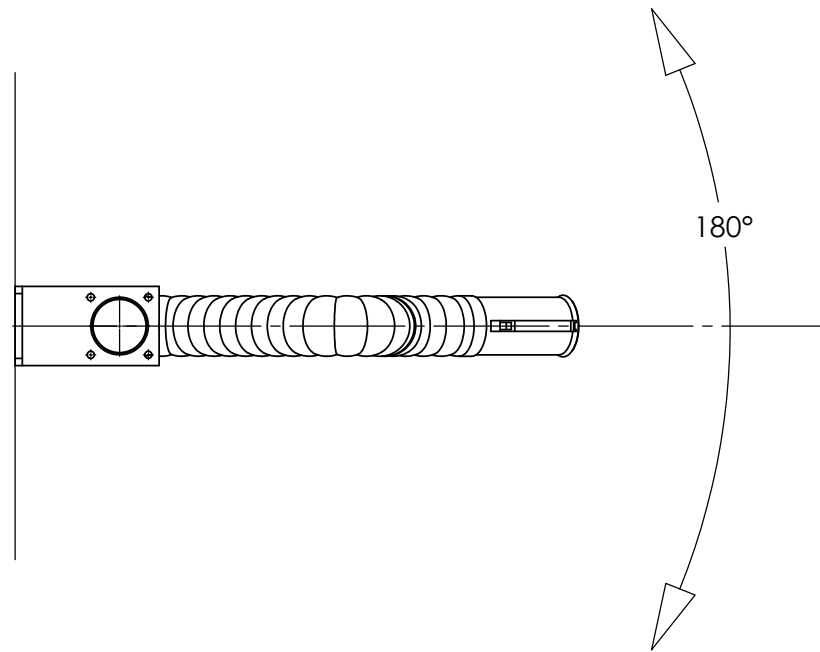
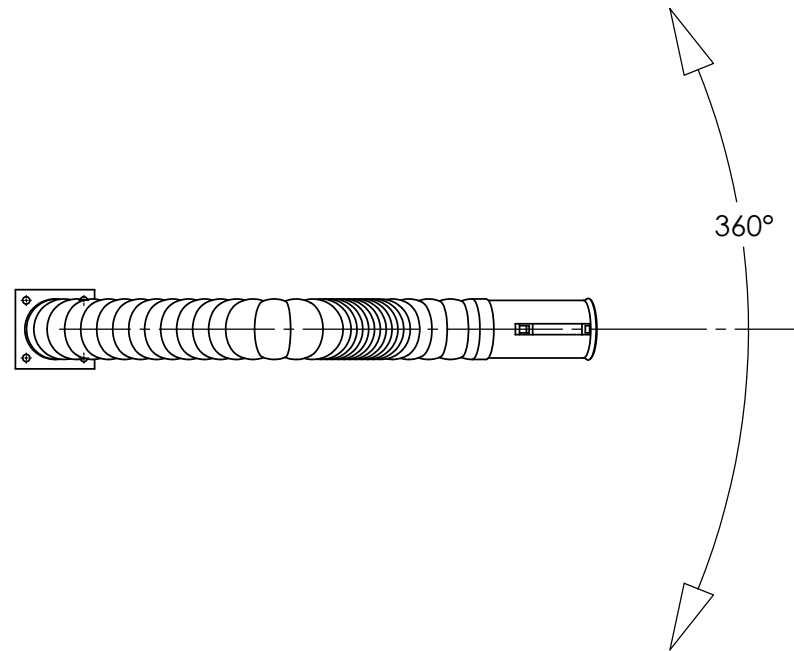


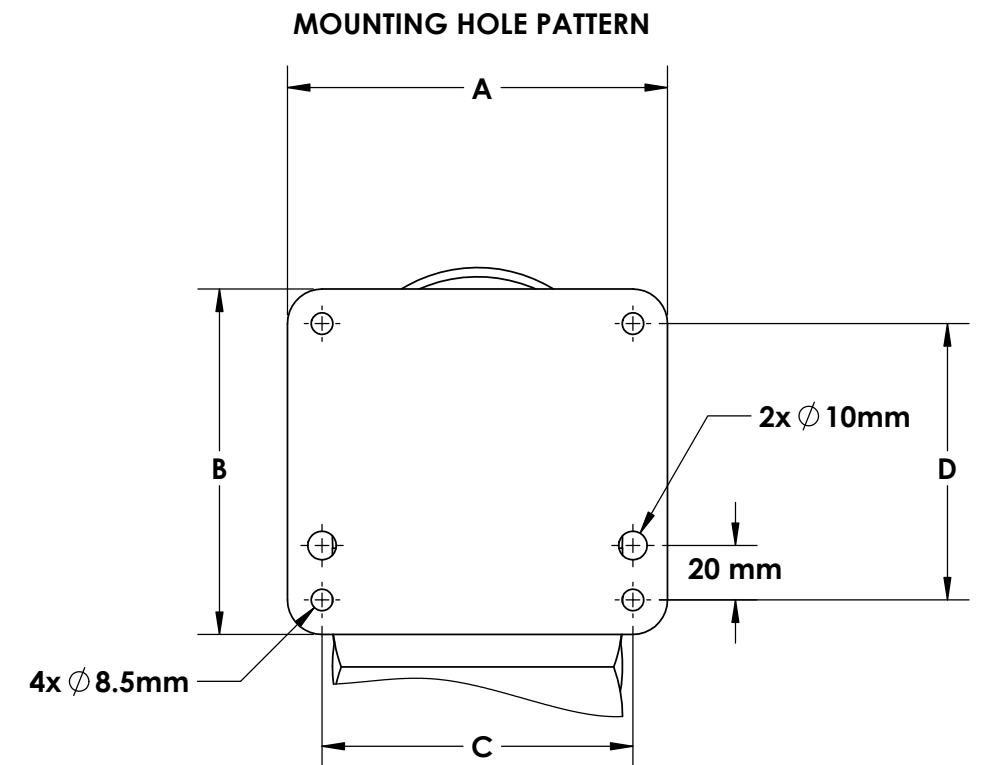
**BENCH TOP mounting**

**WALL / CEILING mounting**

**INTERNALLY SUPPORTED ARMS - MODELS AND OPTIONS:**



	PART#	MOUNTING STYLE	Ø [in]	L [Ft]	A [mm]	B [mm]	C [mm]	D [mm]	C/W TABLE EDGE ADAPTER
<input type="checkbox"/>	L-0946	BENCH TOP	3	4	-	-	-	-	<input type="checkbox"/>
<input type="checkbox"/>	L-0056	BENCH TOP	3	5	-	-	-	-	<input type="checkbox"/>
<input type="checkbox"/>	L-0156	BENCH TOP	3	6	-	-	-	-	<input type="checkbox"/>
<input type="checkbox"/>	L-0646	WALL / CEILING	3	4	140	145	120	120	<input type="checkbox"/> .....
<input type="checkbox"/>	L-0746	WALL / CEILING	3	5	140	145	120	120	<input type="checkbox"/> .....
<input type="checkbox"/>	L-0846	WALL / CEILING	3	6	140	145	120	120	<input type="checkbox"/> .....
<input type="checkbox"/>	L-0656	BENCH TOP	4	4	-	-	-	-	<input type="checkbox"/>
<input type="checkbox"/>	L-0756	BENCH TOP	4	5	-	-	-	-	<input type="checkbox"/>
<input type="checkbox"/>	L-0856	BENCH TOP	4	6	-	-	-	-	<input type="checkbox"/>
<input type="checkbox"/>	L-0256	WALL / CEILING	4	4	170	150	150	120	<input type="checkbox"/> .....
<input type="checkbox"/>	L-0356	WALL / CEILING	4	5	170	150	150	120	<input type="checkbox"/> .....
<input type="checkbox"/>	L-0456	WALL / CEILING	4	6	170	150	150	120	<input type="checkbox"/> .....



CUSTOMER:  
 CUSTOMER P.O.:  
 PROJECT:  
 ENGINEER:  
 SALES REP.:  
 IDENTIFICATION / TAGGING:

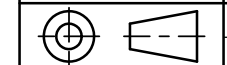
> [www.lev-co.com](http://www.lev-co.com) • 1.888.862.5356

**lev-co**

The device depicted and described hereon embodies proprietary information owned by the manufacturer. All design, manufacturing, reproduction, sales and patent rights regarding this device or drawing reserved except where explicit right is guaranteed in writing. We reserve the right to make design changes.

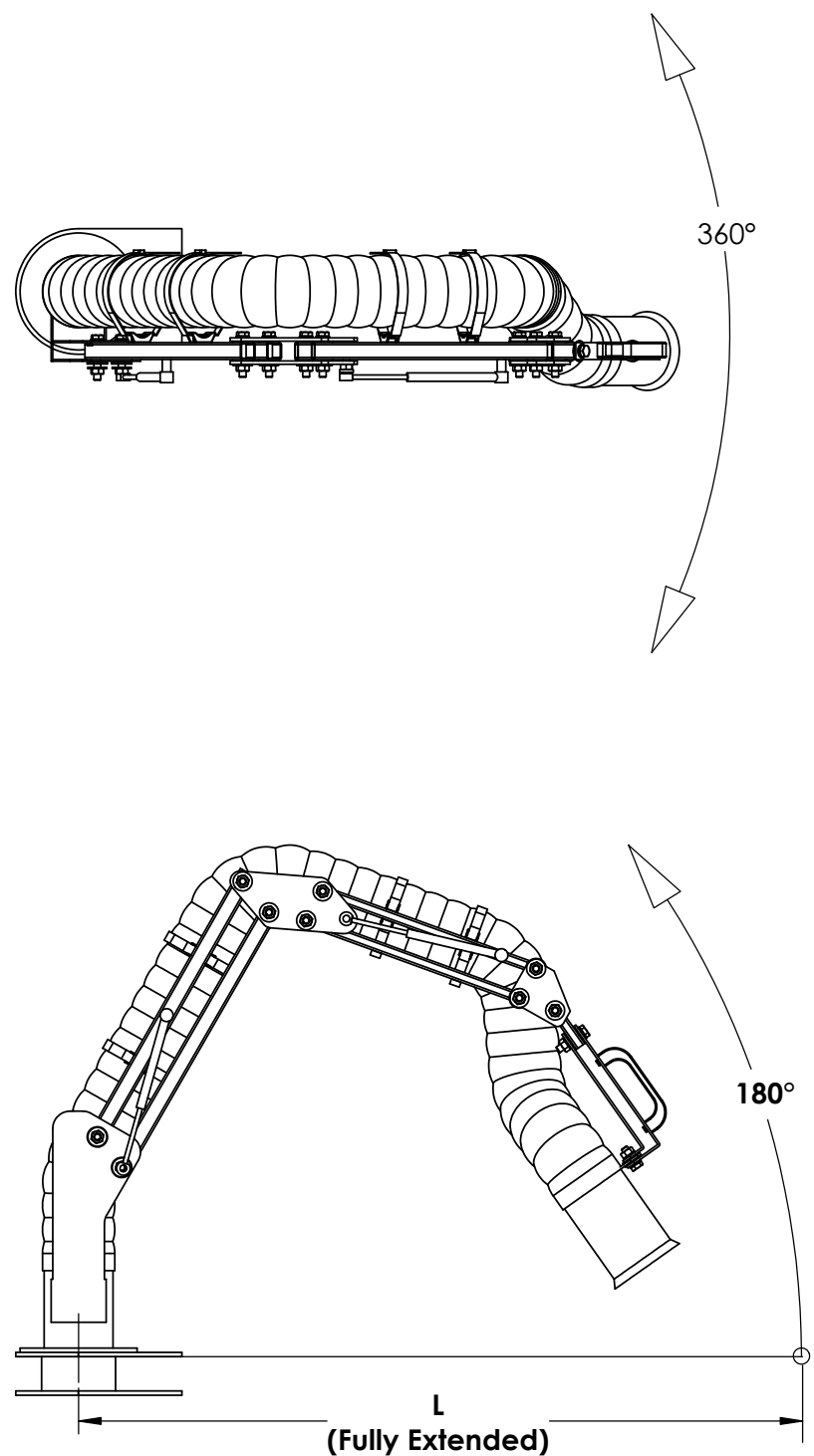
Drawn by: Janos  
 Date: 3/29/2016  
 Scale: NTS  
 Weight: N/A

**MINI-MAX  
 EXTRACTION ARM**  
 Specification Drawing

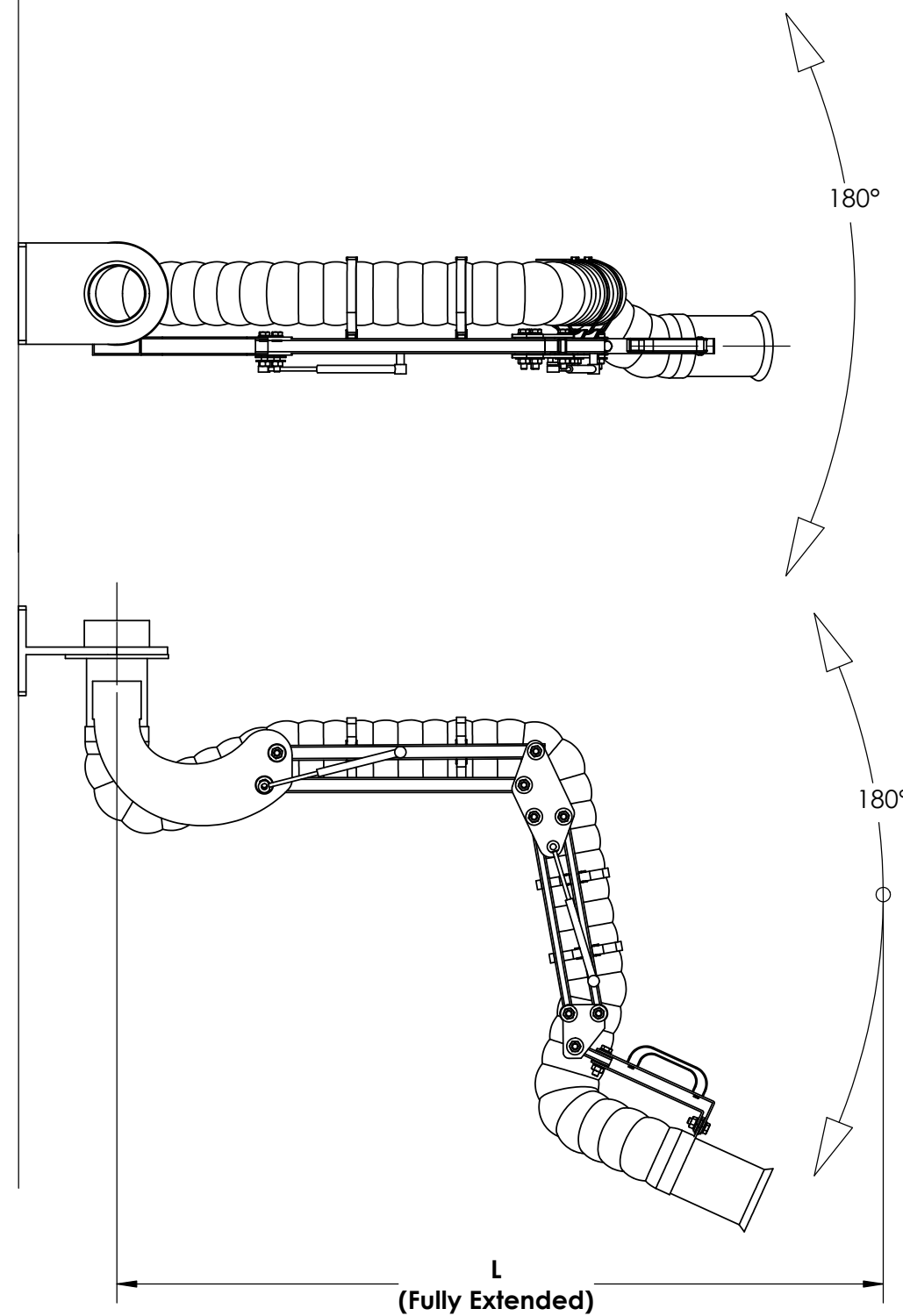


Drawing No.: -  
 Material: -  
 File Name: (01-098) Unif. Mini-MAX - SD  
 Sheet: 1/2

**BENCH TOP mounting**



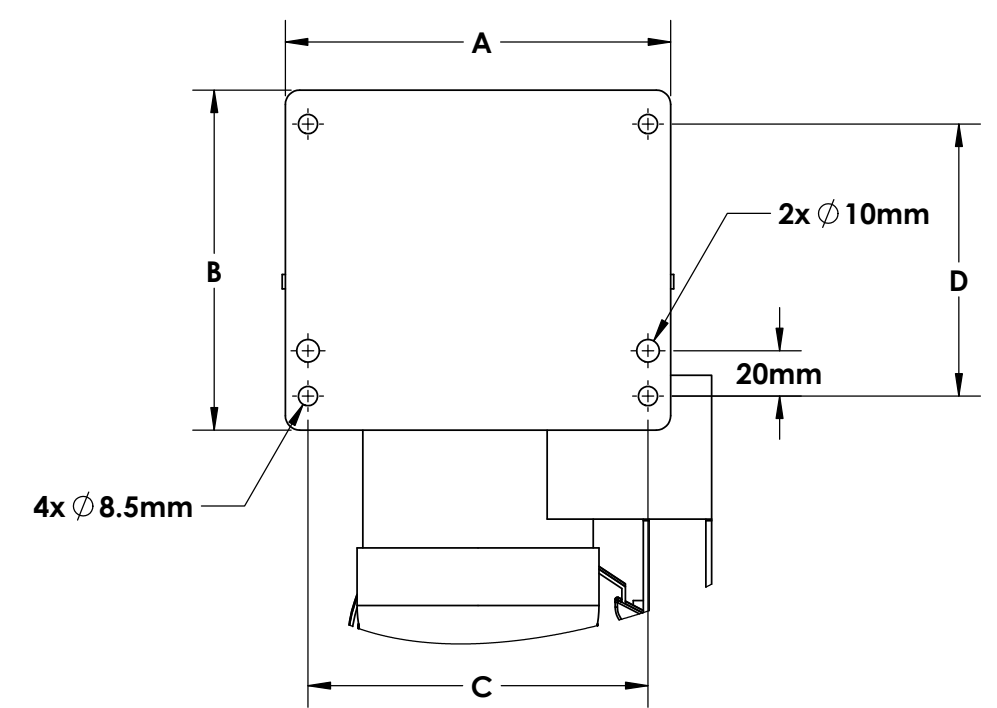
**WALL / CEILING mounting**



**EXTERNALLY SUPPORTED ARMS - MODELS AND OPTIONS:**

	PART#	MOUNTING STYLE	Ø [in]	L [Ft]	A [mm]	B [mm]	C [mm]	D [mm]	C/W TABLE EDGE ADAPTER
<input type="checkbox"/>	L-0366	BENCH TOP	3	4	-	-	-	-	<input type="checkbox"/>
<input type="checkbox"/>	L-0466	BENCH TOP	3	5	-	-	-	-	<input type="checkbox"/>
<input type="checkbox"/>	L-0566	BENCH TOP	3	6	-	-	-	-	<input type="checkbox"/>
<input type="checkbox"/>	L-0066	WALL / CEILING	3	4	140	145	120	120	<input type="checkbox"/> .....
<input type="checkbox"/>	L-0166	WALL / CEILING	3	5	140	145	120	120	<input type="checkbox"/> .....
<input type="checkbox"/>	L-0266	WALL / CEILING	3	6	140	145	120	120	<input type="checkbox"/> .....
<input type="checkbox"/>	L-0966	BENCH TOP	4	4	-	-	-	-	<input type="checkbox"/>
<input type="checkbox"/>	L-0076	BENCH TOP	4	5	-	-	-	-	<input type="checkbox"/>
<input type="checkbox"/>	L-0176	BENCH TOP	4	6	-	-	-	-	<input type="checkbox"/>
<input type="checkbox"/>	L-0666	WALL / CEILING	4	4	170	150	150	120	<input type="checkbox"/> .....
<input type="checkbox"/>	L-0766	WALL / CEILING	4	5	170	150	150	120	<input type="checkbox"/> .....
<input type="checkbox"/>	L-0866	WALL / CEILING	4	6	170	150	150	120	<input type="checkbox"/> .....

**MOUNTING HOLE PATTERN**



CUSTOMER:  
 CUSTOMER P.O.:  
 PROJECT:  
 ENGINEER:  
 SALES REP.:  
 IDENTIFICATION / TAGGING:

[www.lev-co.com](http://www.lev-co.com) • 1.888.862.5356



The device depicted and described hereon embodies proprietary information owned by the manufacturer. All design, manufacturing, reproduction, sales and patent rights regarding this device or drawing reserved except where explicit right is guaranteed in writing. We reserve the right to make design changes.

Drawn by: Janos  
 Date: 3/29/2016  
 Scale: NTS  
 Weight: N/A

**MINI-MAX EXTRACTION ARM**  
 Specification Drawing

Drawing No.: - File Name: (01-098) Unif. Mini-MAX - SD  
 Material: - Sheet: 2/2